



Chipsmall Limited consists of a professional team with an average of over 10 year of expertise in the distribution of electronic components. Based in Hongkong, we have already established firm and mutual-benefit business relationships with customers from,Europe,America and south Asia,supplying obsolete and hard-to-find components to meet their specific needs.

With the principle of “Quality Parts,Customers Priority,Honest Operation,and Considerate Service”,our business mainly focus on the distribution of electronic components. Line cards we deal with include Microchip,ALPS,ROHM,Xilinx,Pulse,ON,Everlight and Freescale. Main products comprise IC,Modules,Potentiometer,IC Socket,Relay,Connector.Our parts cover such applications as commercial,industrial, and automotives areas.

We are looking forward to setting up business relationship with you and hope to provide you with the best service and solution. Let us make a better world for our industry!



Contact us

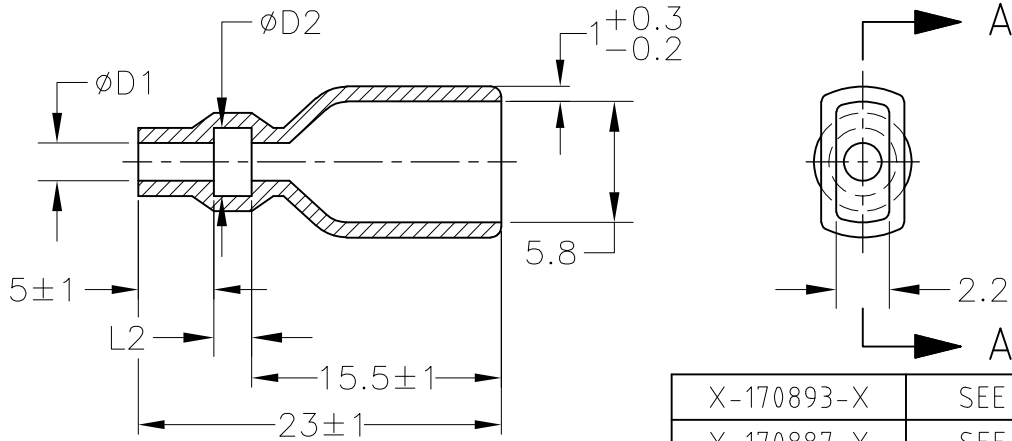
Tel: +86-755-8981 8866 Fax: +86-755-8427 6832

Email & Skype: info@chipsmall.com Web: www.chipsmall.com

Address: A1208, Overseas Decoration Building, #122 Zhenhua RD., Futian, Shenzhen, China



LOC J	DIST —	REVISIONS 変更			DATE	DWN	APVD
		P	LTR	DESCRIPTION			
			A	REVISED	23APR2014	KS	NY



A - A

X-170893-X	SEE 170893
X-170887-X	SEE 170887
X-170889-X	SEE 170889
X-170888-X	SEE 170888
X-170890-X	SEE 170890
X-170891-X	SEE 170891
X-170823-X	SEE 170823
TE PN	REMARK

1. 材質：SS-108（一般）
2. 一般公差：±0.5
3. 適用製品規格は無し

⚠ 品川商工発行のカタログと本図で寸法が異なる場合は本図を優先する。

1. MATERIAL:SS-108(GENERAL)
2. GENERAL TOLERANCE: ±0.5
3. APPLICABLE PRODUCT SPEC NOT AVAILABLE

⚠ IN THE EVENT OF CONFLICT BETWEEN THE REQUIREMENTS OF THIS CUSTOMER DRAWING AND THE SHINAGAWA SHOKO CO LTD CATALOG THIS CUSTOMER DRAWING SHALL TAKE PRECEDENCE

CLEAR	3	4.5	3.5	235835	170892-4
RED	2.5	4	3	235830-1	170892-3
CLEAR				235830	170892-2
		3.5	2.5	235825	170892-1
COLOR	L2	D2	D1	⚠ SHINAGAWA SHOKO PN	TE PN

WIRE RANGE ???????	—	INSULATION DIA ????	—
-----------------------	---	------------------------	---

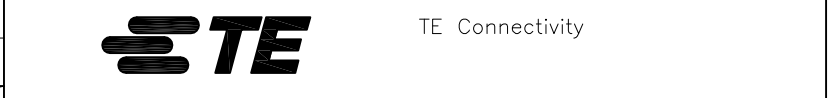
DIMENSIONS: ??? ? mm

DWN 31 AUG 00
A.YAMAGUCHI

MATERIAL ??

FINISH ??

CHK 31 AUG 00
D.MATSUURA



APVD 31 AUG 00
K.BETSUI

NAME ??
CONNECT SLEEVE FOR
AMP 187 SERIES

PRODUCT SPEC
?????

SIZE	CAGE CODE	DRAWING NO	RESTRICTED TO
A4	00779	?? C-170892	—

APPLICATION SPEC
???????

WEIGHT

SCALE ?? 2:1 SHEET 1 OF 1 REV A

CUSTOMER DRAWING

THIS DRAWING IS UNPUBLISHED.

ALL RIGHTS RESERVED.

By -

—

© COPYRIGHT