



Chipsmall Limited consists of a professional team with an average of over 10 year of expertise in the distribution of electronic components. Based in Hongkong, we have already established firm and mutual-benefit business relationships with customers from,Europe,America and south Asia,supplying obsolete and hard-to-find components to meet their specific needs.

With the principle of “Quality Parts,Customers Priority,Honest Operation,and Considerate Service”,our business mainly focus on the distribution of electronic components. Line cards we deal with include Microchip,ALPS,ROHM,Xilinx,Pulse,ON,Everlight and Freescale. Main products comprise IC,Modules,Potentiometer,IC Socket,Relay,Connector.Our parts cover such applications as commercial,industrial, and automotives areas.

We are looking forward to setting up business relationship with you and hope to provide you with the best service and solution. Let us make a better world for our industry!



Contact us

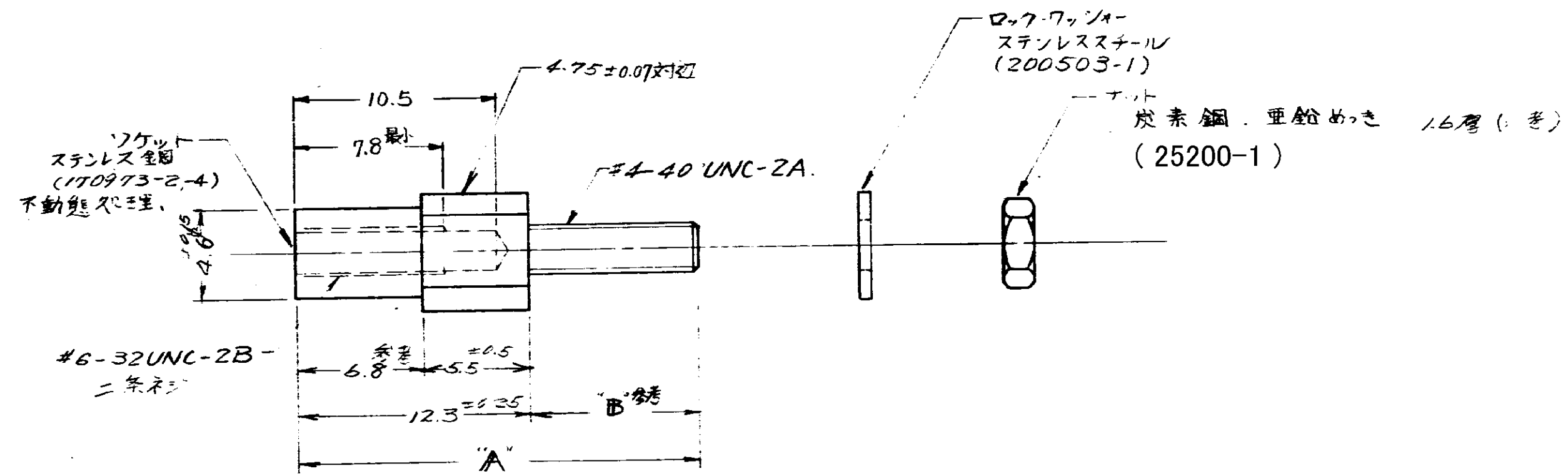
Tel: +86-755-8981 8866 Fax: +86-755-8427 6832

Email & Skype: info@chipsmall.com Web: www.chipsmall.com

Address: A1208, Overseas Decoration Building, #122 Zhenhua RD., Futian, Shenzhen, China



DIMENSIONS IN MM. DO NOT SCALE PRINT.



170987 -2	24.3	12.0
170987 -1	21.3	9.0
部品番号	"A"	"B"

-1: 類似 NO. 200875-1

13SEP 04 C-170987 F REVISED FJD0-0320-04 Y.Y D.M E ADDED PER ECN J83-601 TA E REDRAWN WITH CHANGE S.M D ECN J6-3956 TA C REVISION A TA B REVISED REF. 0.1 TA A REVISED (REV. A) TA C RELEASED TA LTR	71 上参照 上参照	71 名称 NAME 数量 QUANTITY 参考図面 REFERENCE DRAWING Tyco Electronics Tyco Electronics AMP K.K. Kawasaki, Japan 4-1 J B C-170987 固定ジャッククリエ(雄)	13SEP 04 4-1 J B C-170987 1	
	71 上参照 上参照	Tyco Electronics Tyco Electronics AMP K.K. Kawasaki, Japan	4-1 J B C-170987	1
	71 上参照 上参照	Tyco Electronics Tyco Electronics AMP K.K. Kawasaki, Japan	4-1 J B C-170987	1
	71 上参照 上参照	Tyco Electronics Tyco Electronics AMP K.K. Kawasaki, Japan	4-1 J B C-170987	1
	71 上参照 上参照	Tyco Electronics Tyco Electronics AMP K.K. Kawasaki, Japan	4-1 J B C-170987	1