



Chipsmall Limited consists of a professional team with an average of over 10 year of expertise in the distribution of electronic components. Based in Hongkong, we have already established firm and mutual-benefit business relationships with customers from,Europe,America and south Asia,supplying obsolete and hard-to-find components to meet their specific needs.

With the principle of “Quality Parts,Customers Priority,Honest Operation,and Considerate Service”,our business mainly focus on the distribution of electronic components. Line cards we deal with include Microchip,ALPS,ROHM,Xilinx,Pulse,ON,Everlight and Freescale. Main products comprise IC,Modules,Potentiometer,IC Socket,Relay,Connector.Our parts cover such applications as commercial,industrial, and automotives areas.

We are looking forward to setting up business relationship with you and hope to provide you with the best service and solution. Let us make a better world for our industry!



Contact us

Tel: +86-755-8981 8866 Fax: +86-755-8427 6832

Email & Skype: info@chipsmall.com Web: www.chipsmall.com

Address: A1208, Overseas Decoration Building, #122 Zhenhua RD., Futian, Shenzhen, China



Square Body – DIN 43 653

690V/700V (IEC/U.L.) 40-2000A



| Size | Electrical Characteristics | | | | Ordering Information | | | Curves | |
|-------|----------------------------|-------------------------------------|------------------|------------|-----------------------------------|------------------------------------|-------------|--------------------|----------|
| | Rated Current RMS-Amps | I ² t (A ² S) | | Watts Loss | -KN/80 Type K Indicator for Micro | -KN/110 Type K Indicator for Micro | Carton Qty. | Carton Weight (kg) | BIF # |
| | | Pre-arc | Clearing at 660V | | | | | | |
| 1* | 40 | 40 | 270 | 9 | 170M3108 | 170M3258 | 5 | 1.60 | 17056314 |
| | 50 | 77 | 515 | 11 | 170M3109 | 170M3259 | | | |
| | 63 | 115 | 770 | 14 | 170M3110 | 170M3260 | | | |
| | 80 | 185 | 1250 | 18 | 170M3111 | 170M3261 | | | |
| | 100 | 360 | 2450 | 21 | 170M3112 | 170M3262 | | | |
| | 125 | 550 | 3700 | 26 | 170M3113 | 170M3263 | | | |
| | 160 | 1100 | 7500 | 30 | 170M3114 | 170M3264 | | | |
| | 200 | 2200 | 15000 | 35 | 170M3115 | 170M3265 | | | |
| | 250 | 4200 | 28500 | 40 | 170M3116 | 170M3266 | | | |
| | 315 | 7000 | 46500 | 50 | 170M3117 | 170M3267 | | | |
| | 350 | 10000 | 68500 | 55 | 170M3118 | 170M3268 | | | |
| | 400 | 15000 | 105000 | 60 | 170M3119 | 170M3269 | | | |
| | 450 | 21000 | 140000 | 65 | 170M3120 | 170M3270 | | | |
| | 500 | 27000 | 180000 | 70 | 170M3121 | 170M3271 | | | |
| | 550 | 34000 | 230000 | 75 | 170M3122 | 170M3272 | | | |
| | 630 | 48500 | 325000 | 80 | 170M3123 | 170M3273 | | | |
| 1 | 200 | 1650 | 11500 | 45 | 170M4108 | 170M4258 | 3 (-/80) | 1.38 | 17056316 |
| | 250 | 3100 | 21000 | 55 | 170M4109 | 170M4259 | | | |
| | 315 | 6200 | 42000 | 58 | 170M4110 | 170M4260 | | | |
| | 350 | 8500 | 59000 | 60 | 170M4111 | 170M4261 | | | |
| | 400 | 13500 | 91500 | 65 | 170M4112 | 170M4262 | | | |
| | 450 | 17000 | 120000 | 70 | 170M4113 | 170M4263 | | | |
| | 500 | 25000 | 170000 | 72 | 170M4114 | 170M4264 | | | |
| | 550 | 34000 | 230000 | 75 | 170M4115 | 170M4265 | | | |
| | 630 | 52000 | 350000 | 80 | 170M4116 | 170M4266 | | | |
| | 700 | 69500 | 465000 | 85 | 170M4117 | 170M4267 | | | |
| | 800 | 105000 | 725000 | 95 | 170M4118 | 170M4268 | | | |
| | †900 | 155000 | †850000 | 100 | 170M4119 | 170M4269 | | | |
| 2 | 400 | 11000 | 74000 | 65 | 170M5108 | 170M5258 | 2 | 1.26 | 17056318 |
| | 450 | 15500 | 105000 | 70 | 170M5109 | 170M5259 | | | |
| | 500 | 21500 | 145000 | 75 | 170M5110 | 170M5260 | | | |
| | 550 | 28000 | 190000 | 80 | 170M5111 | 170M5261 | | | |
| | 630 | 41000 | 275000 | 90 | 170M5112 | 170M5262 | | | |
| | 700 | 60500 | 405000 | 95 | 170M5113 | 170M5263 | | | |
| | 800 | 86000 | 575000 | 105 | 170M5114 | 170M5264 | | | |
| | 900 | 125000 | 840000 | 110 | 170M5115 | 170M5265 | | | |
| | 1000 | 180000 | 1250000 | 115 | 170M5116 | 170M5266 | | | |
| | 1100 | 245000 | 1600000 | 120 | 170M5117 | 170M5267 | | | |
| | 1250 | 365000 | 2400000 | 130 | 170M5118 | 170M5268 | | | |
| 3 | 500 | 14000 | 95000 | 95 | 170M6108 | 170M6258 | 1 | 0.92 | 17056320 |
| | 550 | 19500 | 135000 | 100 | 170M6109 | 170M6259 | | | |
| | 630 | 31000 | 210000 | 105 | 170M6110 | 170M6260 | | | |
| | 700 | 44500 | 300000 | 110 | 170M6111 | 170M6261 | | | |
| | 800 | 69500 | 465000 | 115 | 170M6112 | 170M6262 | | | |
| | 900 | 100000 | 670000 | 120 | 170M6113 | 170M6263 | | | |
| | 1000 | 140000 | 945000 | 125 | 170M6114 | 170M6264 | | | |
| | 1100 | 190000 | 1300000 | 130 | 170M6115 | 170M6265 | | | |
| | 1250 | 290000 | 1950000 | 140 | 170M6116 | 170M6266 | | | |
| | 1400 | 370000 | 2450000 | 155 | 170M6117 | 170M6267 | | | |
| | 1500 | 460000 | 3100000 | 160 | 170M6118 | 170M6268 | | | |
| | 1600 | 580000 | 3900000 | 160 | 170M6119 | 170M6269 | | | |
| | †1800 | 880000 | †5250000 | 165 | 170M6120 | 170M6270 | | | |
| ‡2000 | 1150000 | ‡6350000 | 175 | 170M6121 | 170M6271 | | | | |

■ Interrupting rating 200kA (Estimated 300kA) RMS Symmetrical.

■ Watts loss provided at rated current.

■ Rated voltage (IEC) †600V ‡550V (Consult Bussmann for U.L. Recognition/ CSA Component Acceptance status.)

■ Microswitch indicator ordered separately.

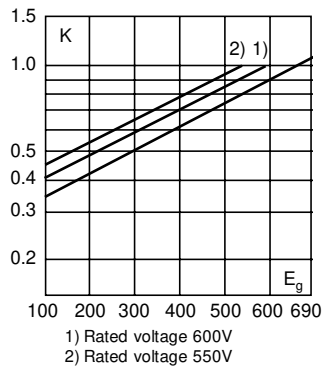
1 kg = 2.2 lbs. 1 lb = 0.45 kg



Electrical Characteristics

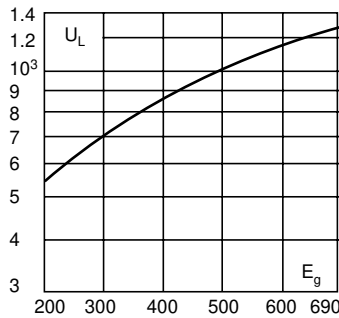
Total Clearing I²t

The total clearing I²t at rated voltage and at power factor of 15% are given in the electrical characteristics. For other voltages, the clearing I²t is found by multiplying by correction factor, K, given as a function of applied working voltage, E_g, (RMS).



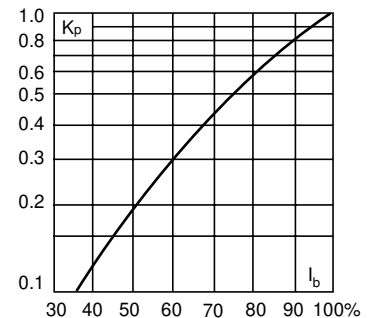
Arc Voltage

This curve gives the peak arc voltage, U_L, which may appear across the fuse during its operation as a function of the applied working voltage, E_g, (RMS) at a power factor of 15%.



Power Losses

Watts loss at rated current is given in the electrical characteristics. The curve allows the calculation of the power losses at load currents lower than the rated current. The correction factor, K_p, is given as a function of the RMS load current, I_b, in % of the rated current.

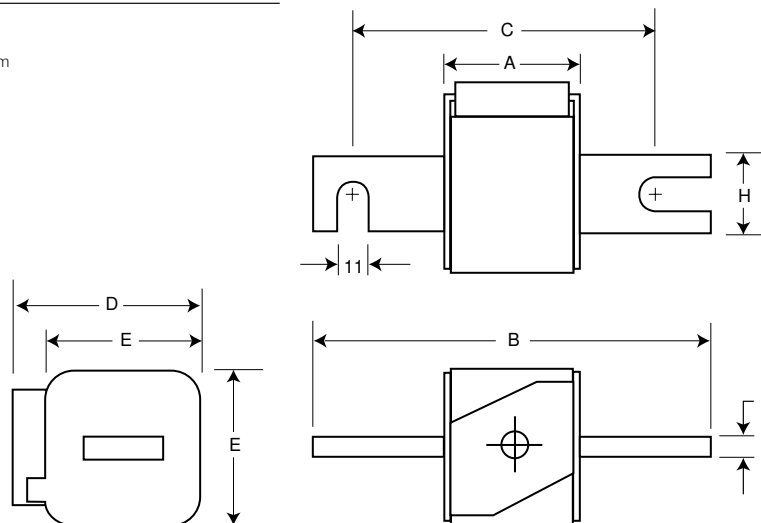


Dimensions

DIN 43 653: Type -KN/80, -KN/110

| Size | A | B | B\$ | C | C\$ | D | E | H |
|------|----|-----|-----|----|-----|----|----|----|
| 1* | 50 | 104 | 134 | 78 | 108 | 59 | 45 | 22 |
| 1 | 50 | 108 | 138 | 78 | 108 | 69 | 53 | 25 |
| 2 | 50 | 108 | 138 | 78 | 108 | 77 | 61 | 25 |
| 3 | 51 | 109 | 139 | 78 | 108 | 92 | 76 | 30 |

\$Valid for fuse type -KN/110.
Dimension in mm.
1mm = 0.0394" 1" = 25.4mm



The only controlled copy of this BIF document is the electronic read-only version located on the Bussmann Network Drive. All other copies of this document are by definition uncontrolled. This bulletin is intended to clearly present comprehensive product data and provide technical information that will help the end user with design applications. Bussmann reserves the right, without notice, to change design or construction of any products and to discontinue or limit distribution of any products. Bussmann also reserves the right to change or update, without notice, any technical information contained in this bulletin. Once a product has been selected, it should be tested by the user in all possible applications.