



Chipsmall Limited consists of a professional team with an average of over 10 year of expertise in the distribution of electronic components. Based in Hongkong, we have already established firm and mutual-benefit business relationships with customers from,Europe,America and south Asia,supplying obsolete and hard-to-find components to meet their specific needs.

With the principle of “Quality Parts,Customers Priority,Honest Operation,and Considerate Service”,our business mainly focus on the distribution of electronic components. Line cards we deal with include Microchip,ALPS,ROHM,Xilinx,Pulse,ON,Everlight and Freescale. Main products comprise IC,Modules,Potentiometer,IC Socket,Relay,Connector.Our parts cover such applications as commercial,industrial, and automotives areas.

We are looking forward to setting up business relationship with you and hope to provide you with the best service and solution. Let us make a better world for our industry!



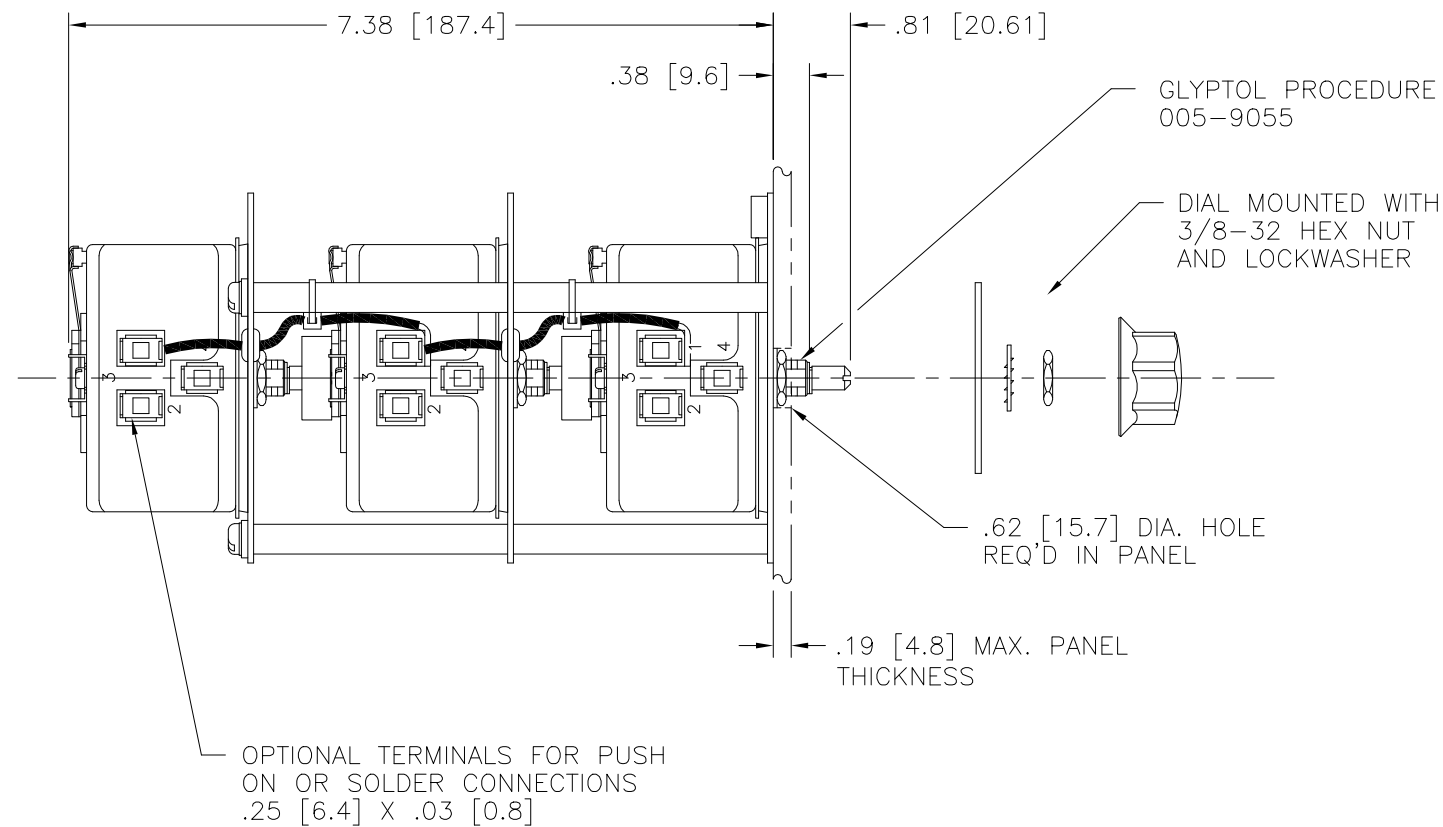
Contact us

Tel: +86-755-8981 8866 Fax: +86-755-8427 6832

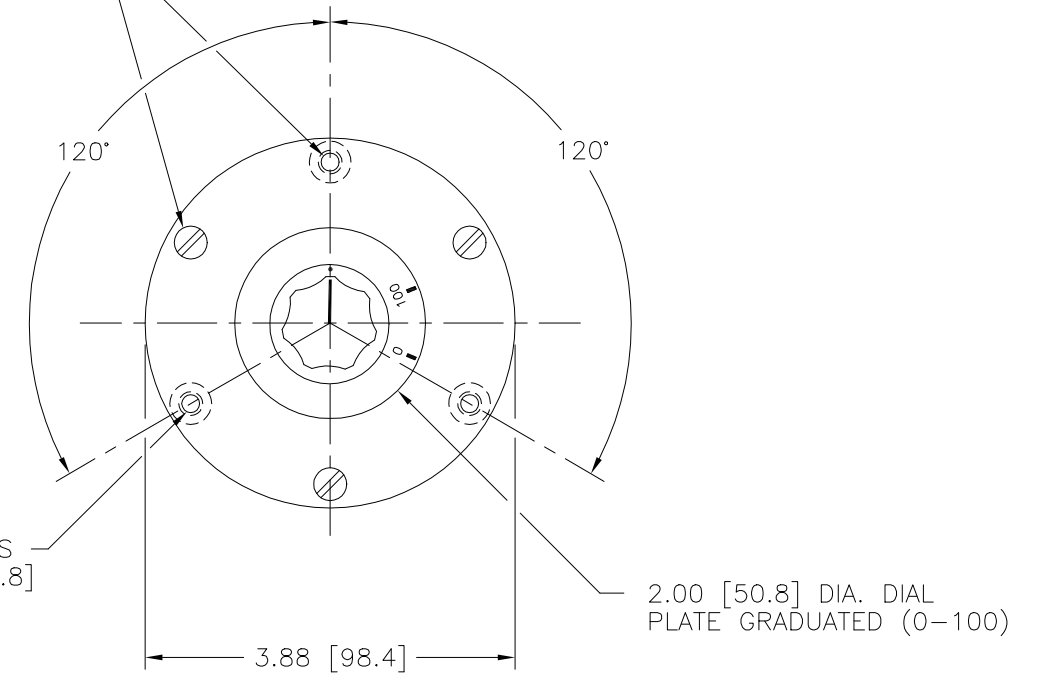
Email & Skype: info@chipsmall.com Web: www.chipsmall.com

Address: A1208, Overseas Decoration Building, #122 Zhenhua RD., Futian, Shenzhen, China





TO BE FLUSH OR BELOW FLUSH WITH BOTTOM MOUNTING PLATE



NOTES:

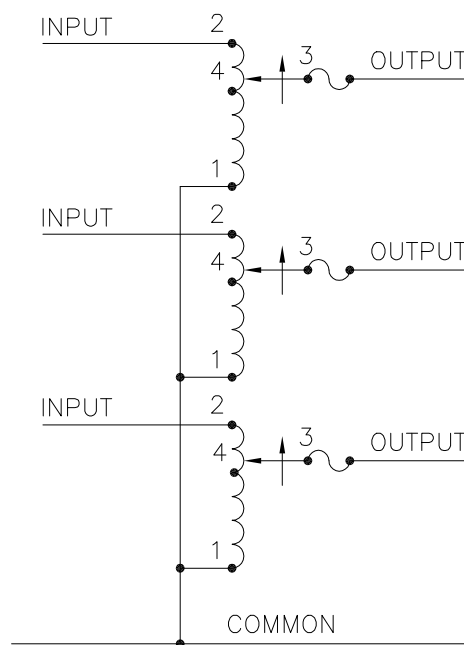
1. MAXIMUM AMBIENT TEMPERATURE 50°C
2. VENTILATION MUST BE PROVIDED WHEN USED IN AN ENCLOSURE.

SPECIFICATIONS:

++ LINE TO LINE VOLTAGE

⚡ IF GANGED UNITS ARE USED IN A SYSTEM THAT ORDINARILY HAS A COMMON NEUTRAL OR GROUND BETWEEN SOURCE AND LOAD, THE NEUTRAL OR GROUND MUST BE CONNECTED TO THE COMMON TERMINALS OF THE VARIABLE TRANSFORMER ASSEMBLY. IF THE SYSTEM HAS NO NEUTRAL, THE LOAD MUST BE BALANCED OR THE TRANSFORMERS WILL BE DAMAGED.

- JUMPER PROVIDED IN THE STANDARD COMMON POSITION AND SHOULD BE MOVED OR REMOVED AS REQUIRED.



SCHMATIC
 FUSE RECOMMENDED BUT NOT SUPPLIED

SPECIFICATIONS											
WIRING	INPUT		OUTPUT				SHAFT ROTATION TO INCREASE VOLTAGE	TERMINAL CONNECTIONS			
	VOLTS	HERTZ	VOLTS	CONSTANT CURRENT LOAD		CONSTANT IMPEDANCE LOAD		FOR INCREASING VOLTAGE AS VIEWED FROM BASE END			
				MAX. AMPS	MAX. KVA	MAX. AMPS		MAX. KVA	INPUT	JUMPER	OUTPUT
THREE PHASE WYE ⚡	240	60	0-240	1.75	0.73	2.2	0.92	CW	2-2-2	1-1-1	3-3-3
	++							CCW	1-1-1	2-2-2	3-3-3

UNLESS OTHERWISE SPECIFIED, TOLERANCE IS #				UNITS		TITLE: SPEC. CONTROL DRAWING					
DECIMALS	HOLES	ANGLES	DRAFT	IN [mm]		VARIABLE TRANSFORMER					
.XX	.014-.06	1°	1-1/2°			TYPE: 171-3					
.XXX	.005			ALL DIMENSIONS APPLY AFTER PLATING		STACO ENERGY PRODUCTS CO. A COMPONENTS CORPORATION OF AMERICA COMPANY DAYTON, OHIO U.S.A.					
MATERIAL:						DRAWN BY	DATE	FIRST USED ON	DO NOT SCALE DWG.	CUSTOMER APPROVAL	DATE
The information and design disclosed herein was originated by and is the property of STACO ENERGY PRODUCTS CO., which reserves all patent, proprietary, design, manufacturing, reproduction, use and sale rights thereto, and to any article disclosed therein except to the extent rights are expressly granted to others. The foregoing does not apply to vendor proprietary parts.						TIM RAU	12/29/97				
						CHECKER	DATE	WEIGHT APPROX.	CODE IDENT. NO.	DWG. SIZE	DWG. NO.
						ENGINEER	DATE	SCALE	1=1	SHEET 1 OF 1	D