



Chipsmall Limited consists of a professional team with an average of over 10 year of expertise in the distribution of electronic components. Based in Hongkong, we have already established firm and mutual-benefit business relationships with customers from,Europe,America and south Asia,supplying obsolete and hard-to-find components to meet their specific needs.

With the principle of “Quality Parts,Customers Priority,Honest Operation,and Considerate Service”,our business mainly focus on the distribution of electronic components. Line cards we deal with include Microchip,ALPS,ROHM,Xilinx,Pulse,ON,Everlight and Freescale. Main products comprise IC,Modules,Potentiometer,IC Socket,Relay,Connector.Our parts cover such applications as commercial,industrial, and automotives areas.

We are looking forward to setting up business relationship with you and hope to provide you with the best service and solution. Let us make a better world for our industry!



## Contact us

Tel: +86-755-8981 8866 Fax: +86-755-8427 6832

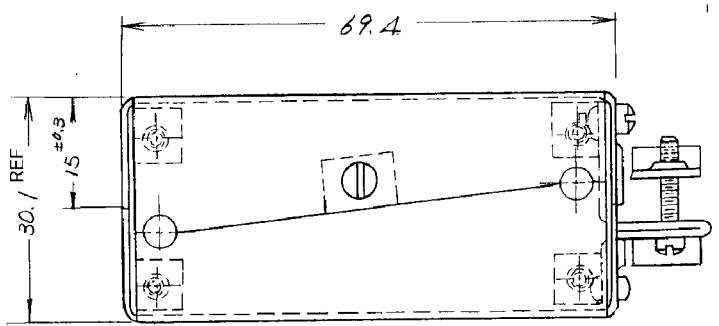
Email & Skype: info@chipsmall.com Web: www.chipsmall.com

Address: A1208, Overseas Decoration Building, #122 Zhenhua RD., Futian, Shenzhen, China



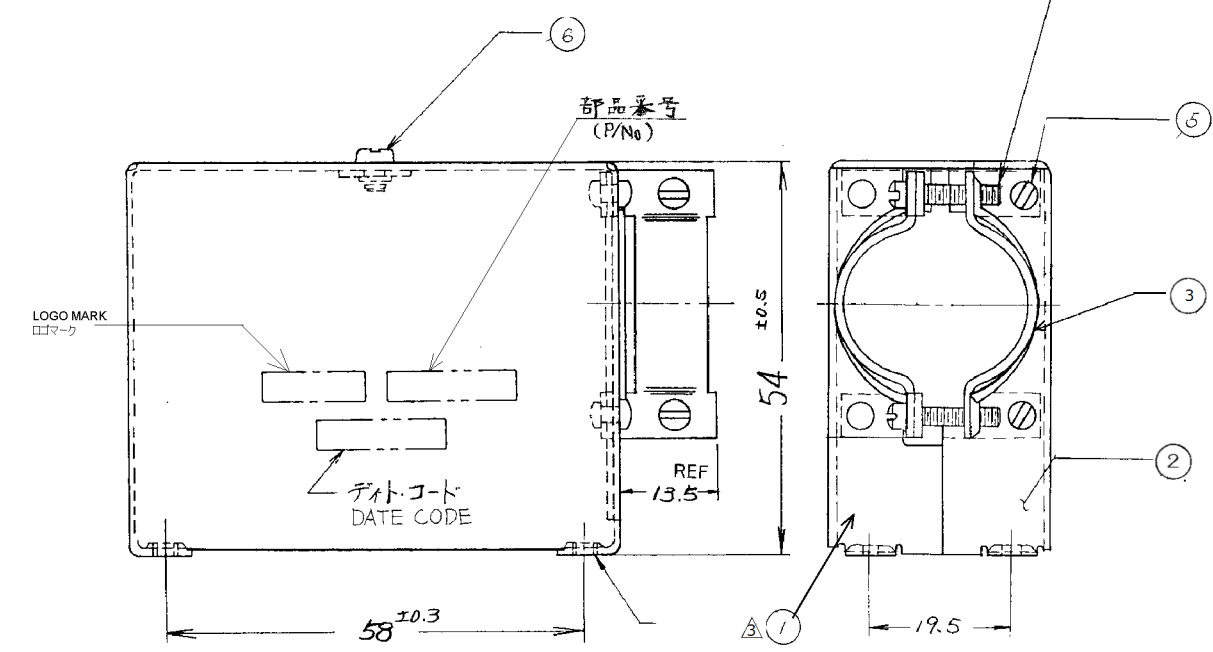
THIS DRAWING IS UNPUBLISHED  
 RELEASED FOR PUBLICATION  
 (C) COPYRIGHT 2012 BY Tyco Electronics Japan G.K.

REVISEMENTS		変更				
P	LTR	DESCRIPTION	ECN	DATE	DWN	APVD
	D	REDRAWN	FJ00-0518-97	9Apr'97	C.O	I.H
	E	REVISED		09SEP 2013	T.N	N.Y



類似 No. 202711-1  
 SIMILAR SHIELD No. 202711-1

△ ウィスカ対策・RoSH対応品  
 WHISKER COUNTERMEASURE & RoSH COMPLIANCE



NOTE

1. 電線束線径: 最大φ 26, 最小φ 17  
 WIRE BUNDLE THICKNESS: MAX φ 26, MIN φ 17
2. -1, 7-1: 絶縁スリーブなし  
 -1, 7-1: WITHOUT INSULATED SLEEVE  
 -2: 絶縁スリーブ (P/N21330-4) 2ヶ添付  
 -2: INSULATED SLEEVE (P/N21330-4) WITH 2 PEACE
3. リベット (スチール ニッケルめっき) で、固定側ケーブルクランプを組込んだもの。  
 ASSEMBLED CABLE CLAMP FIXED SIDE BY RIVET (SCALE, NICKEL PLATING)

QTY	QTY	QTY	MATERIAL AND FINISH	NAME	ITEM NO.
2	2	2	STAINLESS STEEL, ORGANIC COATING △	SCREW # 4-40 UNC-2A LENGTH 3.2 REF	⑥
2	2	2	STAINLESS STEEL, ORGANIC COATING △	SCREW # 4-40 UNC-2A LENGTH 6.4 REF	⑤
2	2	2	STAINLESS STEEL, ORGANIC COATING △	SCREW # 4-40 UNC-2A LENGTH 19.1 REF	④
1	1	1	ZINC-COATED STEEL, PAINTED TO METALIC SILVER △	CABLE-CLAMP	③
1	1	1	ZINC-COATED STEEL, PAINTED TO METALIC SILVER △	CABLE-CLAMP	③
1	1	1	ZINC-COATED STEEL, PAINTED TO METALIC SILVER △	SHIELD (R.H)	②
1	1	1	ZINC-COATED STEEL, PAINTED TO METALIC SILVER △	SHIELD (R.H)	②
1	1	1	ZINC-COATED STEEL, PAINTED TO METALIC SILVER △	SHIELD (L.H)	①
1	1	1	ZINC-COATED STEEL, PAINTED TO METALIC SILVER △	SHIELD (L.H)	①

THIS DRAWING IS A CONTROLLED DOCUMENT FOR AND INCORPORATED IT IS SUBJECT TO CHANGE AND THE CONTROLLING ENGINEERING ORGANIZATION SHOULD BE CONTACTED FOR THE LATEST REVISION.

CHK: C. OHASHI 3/APR/97  
 APVD: [Signature] 9/APR/97  
 PRODUCT SPEC 製品規格  
 APPLICATION SPEC 取付適用規格

DIMENSIONS: 単位: 概 mm	TOLERANCES UNLESS OTHERWISE SPECIFIED 一般公差 ±0.4 ±1°
MATERIAL 材料 上図参照 SEE DWG	FINISH 仕上 上図参照 SEE DWG

WEIGHT  
CUSTOMER DRAWING

**TE** TE Connectivity

75極90°シールド  
 75POS 90° SHIELD

SIZE: A3 CAGE CODE: 00779 DRAWING NO: C-171076 RESTRICTED TO: -

SCALE: 尺度 NON SHEET 1 OF 1 REV E