



Chipsmall Limited consists of a professional team with an average of over 10 year of expertise in the distribution of electronic components. Based in Hongkong, we have already established firm and mutual-benefit business relationships with customers from,Europe,America and south Asia,supplying obsolete and hard-to-find components to meet their specific needs.

With the principle of “Quality Parts,Customers Priority,Honest Operation,and Considerate Service”,our business mainly focus on the distribution of electronic components. Line cards we deal with include Microchip,ALPS,ROHM,Xilinx,Pulse,ON,Everlight and Freescale. Main products comprise IC,Modules,Potentiometer,IC Socket,Relay,Connector.Our parts cover such applications as commercial,industrial, and automotives areas.

We are looking forward to setting up business relationship with you and hope to provide you with the best service and solution. Let us make a better world for our industry!



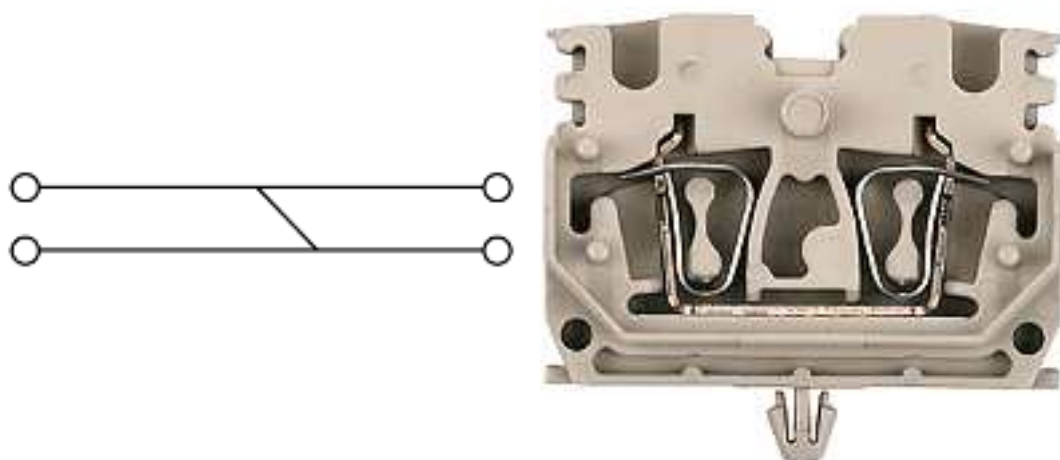
## Contact us

Tel: +86-755-8981 8866 Fax: +86-755-8427 6832

Email & Skype: info@chipsmall.com Web: www.chipsmall.com

Address: A1208, Overseas Decoration Building, #122 Zhenhua RD., Futian, Shenzhen, China



**General ordering data**

Order No.	1713000000
Part designation	ZDUB 2.5-2/4AN/RC GE
Version	Feed-through terminal, 2.5 mm <sup>2</sup> , Tension clamp connection, Wemid, yellow, Direct mounting
EAN	4008190378844
Qty.	100 pc(s).

**Product notes**

Note, ordering data	Diameter of mounting hole for locating clip is 3.5 mm for sheet thickness 0.6-1.2 mm.
Note, technical data	Snap-on clip
Product description	Terminal blocks for different fixing systems
Note, accessories	Terminals can be cross-connected with the help of the ZQB 2.5 (1677120000).

**PT OKIECEX/ATEX rating data**

EU-type examination certificate	KEMA97ATEX2755U
Download, German	KEMA97ATEX2755U_d.pdf
Download English	KEMA97ATEX2755U_e.pdf
ATEX voltage	550 V
ATEX current	21 A
ATEX conductor cross-section	2.5 mm <sup>2</sup>
Voltage when using cross-connections	CrossConnectionGuide.pdf
Operating temperature range	Einsatztemperaturbereich siehe EG-Baumusterprüfbescheinigung/IECEx-Certificate of Conformity
Marking EN 60079-7	Ex e II
Marking ATEX Directive 94/9/EC	Ex II 2 G D

**Additional technical data**

Colour of insulating material	yellow
Connection direction	top
End plate required	Yes
Explosion-tested version "Ex e"	Yes

**Additional technical data**

Installation advice	Direct mounting
Insulating material	Wemid
Levels cross-connected internally	No
No. of levels	1
No. of terminal strips per level	4
Open sides	right
Operating temperature range	- 50 °C, + 120 °C
Product family	Z-series
Type of connection	Tension clamp connection
Type of mounting	Snap-on (with clip fitting)
UL 94 flammability rating of insulation material	V-0
Version	Central terminal

**CSA rating data**

Voltage (CSA)	600 V
CSA current	25 A
Min. cross-section (CSA)	AWG 26
Max. cross-section (CSA)	AWG 12

**Conductors for clamping (additional connection)**

Flexible with ferrule, min. (DIN 46228 pt 1)	0.5 mm <sup>2</sup>
Flexible with ferrule, max. (DIN 46228 pt 1)	1.5 mm <sup>2</sup>

**Conductors for clamping (rated connection)**

Clamping range, min.	0.13 mm <sup>2</sup>
Clamping range, max.	4 mm <sup>2</sup>
Type of connection	Tension clamp connection
Connection direction	top
No. of connections	4
Stripping length	10 mm
Blade size	0.6 x 3.5 mm
Gauge to IEC 60947-1	A2
Solid, min.	0.5 mm <sup>2</sup>
Solid, max.	4 mm <sup>2</sup>
Flexible, min.	0.5 mm <sup>2</sup>
Flexible, max.	2.5 mm <sup>2</sup>
Flexible with ferrule, min. (DIN 46228/1)	0.5 mm <sup>2</sup>
Flexible with ferrule, max. (DIN 46228/1)	1.5 mm <sup>2</sup>
Flexible, min., ferrule with plastic collar (DIN 46228 pt 4)	0.5 mm <sup>2</sup>
Flexible, max., ferrule with plastic collar (DIN 46228 pt 4)	1.5 mm <sup>2</sup>
AWG conductor size, min.	AWG 26
AWG conductor size, max.	AWG 12
AWG conductor size, min.	0.13 mm <sup>2</sup>
AWG conductor size, max.	2.5 mm <sup>2</sup>

**Dimensions**

Width	10.2 mm
Height of lowest version	29 mm

**Dimensions**

Length	33.5 mm
TS 15 offset	17 mm

**Rating data**

Rated cross-section	2.5 mm <sup>2</sup>
Rated voltage	800 V
Rated impulse voltage	8 kV
Rated current	24 A
Standards	IEC 60947-7-1
Current with max. conductor	30 A
Pollution severity	3

**UL rating data**

Voltage (UL)	600 V
Current (UL)	20 A
Min. cross-section (UL)	AWG 26
Max. cross-section (UL)	AWG 12

**Approvals**

Approvals institutes

**Classifications**

eClass 4.1	27-14-11-23
eClass 5.0	27-14-11-20
eClass 5.1	27-14-11-20

**Similar products**

Order No.	Part designation	Version
1712820000	ZDUB 2.5-2/2AN/RC	Feed-through terminal, 2.5 mm <sup>2</sup> , Tension clamp connection, Wemid, dark beige, Direct mounting
1712830000	ZDUB 2.5-2/2AN/RC BL	Feed-through terminal, 2.5 mm <sup>2</sup> , Tension clamp connection, Wemid, blue, Direct mounting
1712850000	ZDUB 2.5-2/2AN/RC GE	Feed-through terminal, 2.5 mm <sup>2</sup> , Tension clamp connection, Wemid, yellow, Direct mounting
1712840000	ZDUB 2.5-2/2AN/RC OR	Feed-through terminal, 2.5 mm <sup>2</sup> , Tension clamp connection, Wemid, Orange, Direct mounting
1712970000	ZDUB 2.5-2/4AN/RC	Feed-through terminal, 2.5 mm <sup>2</sup> , Tension clamp connection, Wemid, dark beige, Direct mounting
1712980000	ZDUB 2.5-2/4AN/RC BL	Feed-through terminal, 2.5 mm <sup>2</sup> , Tension clamp connection, Wemid, blue, Direct mounting