



Chipsmall Limited consists of a professional team with an average of over 10 year of expertise in the distribution of electronic components. Based in Hongkong, we have already established firm and mutual-benefit business relationships with customers from,Europe,America and south Asia,supplying obsolete and hard-to-find components to meet their specific needs.

With the principle of “Quality Parts,Customers Priority,Honest Operation,and Considerate Service”,our business mainly focus on the distribution of electronic components. Line cards we deal with include Microchip,ALPS,ROHM,Xilinx,Pulse,ON,Everlight and Freescale. Main products comprise IC,Modules,Potentiometer,IC Socket,Relay,Connector.Our parts cover such applications as commercial,industrial, and automotives areas.

We are looking forward to setting up business relationship with you and hope to provide you with the best service and solution. Let us make a better world for our industry!



Contact us

Tel: +86-755-8981 8866 Fax: +86-755-8427 6832

Email & Skype: info@chipsmall.com Web: www.chipsmall.com

Address: A1208, Overseas Decoration Building, #122 Zhenhua RD., Futian, Shenzhen, China



REVOLUTIONS		変更	ECN	DATE	DWN	APVD
J						
P	LTR	DESCRIPTION	ECN	DATE	DWN	APVD
	M	REDRAWN W/CHANGE	FJ00-0601-98	30 MAR 98	AY	AB
	M1	ECO-10-000030		05 JAN 10	KK	AEG

AMP PARTS NUMBER 型番	DIA 束線径 mm	Fig 図	DIMENSION 寸法												
			A	B	C	D	E	F	G	H	J	K	L	M	
1	171353-1	1~21	3	4.4	4.1	4.3	2.5	1.5	1.15	0.7	5.0	100.0	19.0	82.0	75.0
2	171353-2	2~32	2	6.8	4.5	5.0	3.3	∅0.9	1.3	∅0.9	∅2.5	154.0	—	—	—
3	171353-3	3~37	4	6.0	5.0	5.0	3.4	2.4	1.2	0.4	7.0	145.0	—	—	—
4	171353-4	3~44	2	7.5	5.8	5.8	4.0	∅1.0	1.2	∅1.0	∅2.8	186.0	—	—	—
5	171353-5	3~50	1	7.0	4.0	5.5	4.0	2.0	1.15	0.3	7.0	185.0	—	—	—
6	171353-6	3~50	1	7.6	5.5	5.5	4.5	3.0	1.3	0.4	10.0	185.0	—	—	—
7	171353-7	10~100	4	8.0	5.5	5.5	5.0	3.0	1.3	0.4	12.0	365.0	—	—	—
8	171353-8	10~100	4	11.8	7.3	7.0	7.8	5.0	2.0	0.6	10.0	365.0	—	—	—
9	171353-9	3~50	4	7.6	5.5	5.5	4.5	3.0	1.3	0.4	10.0	185.0	—	—	—
10	1-171353-1	1~21	3	4.4	4.1	4.3	2.5	1.5	1.15	0.7	5.0	100.0	19.0	82.0	75.0
11	1-171353-2	1~21	3	4.4	4.1	4.3	2.5	1.5	1.15	0.7	5.0	100.0	19.0	82.0	75.0
12	1-171353-3	1.6~19	3	4.8	4.0	4.4	2.5	—	1.2	—	—	101.5	—	—	—

△4 OBSOLETE

Fig-1
☒-1

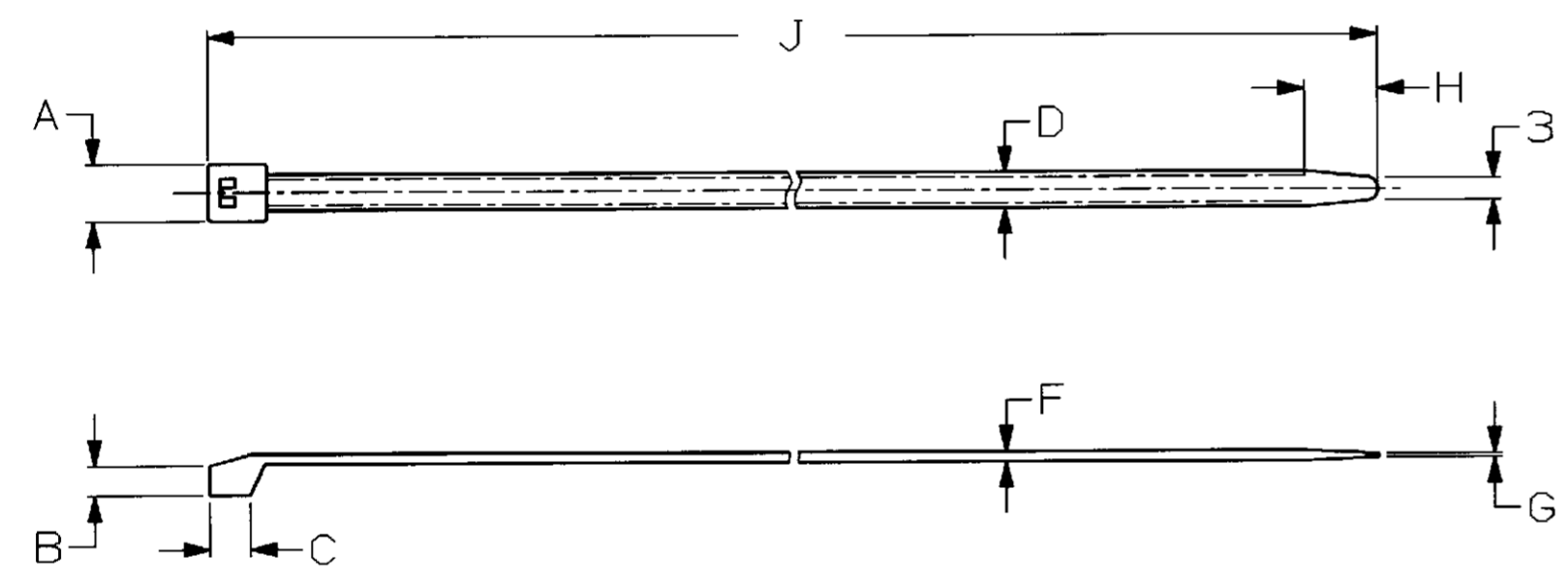


Fig-3
☒-3

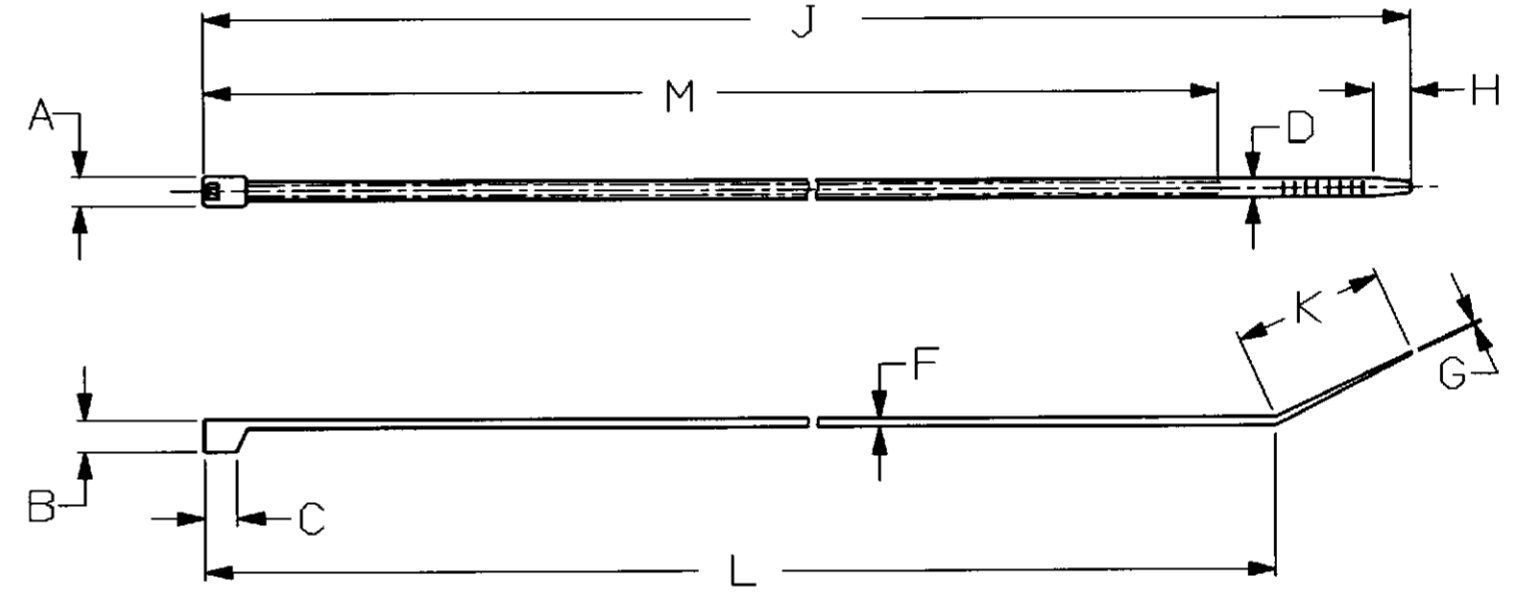


Fig-2
☒-2

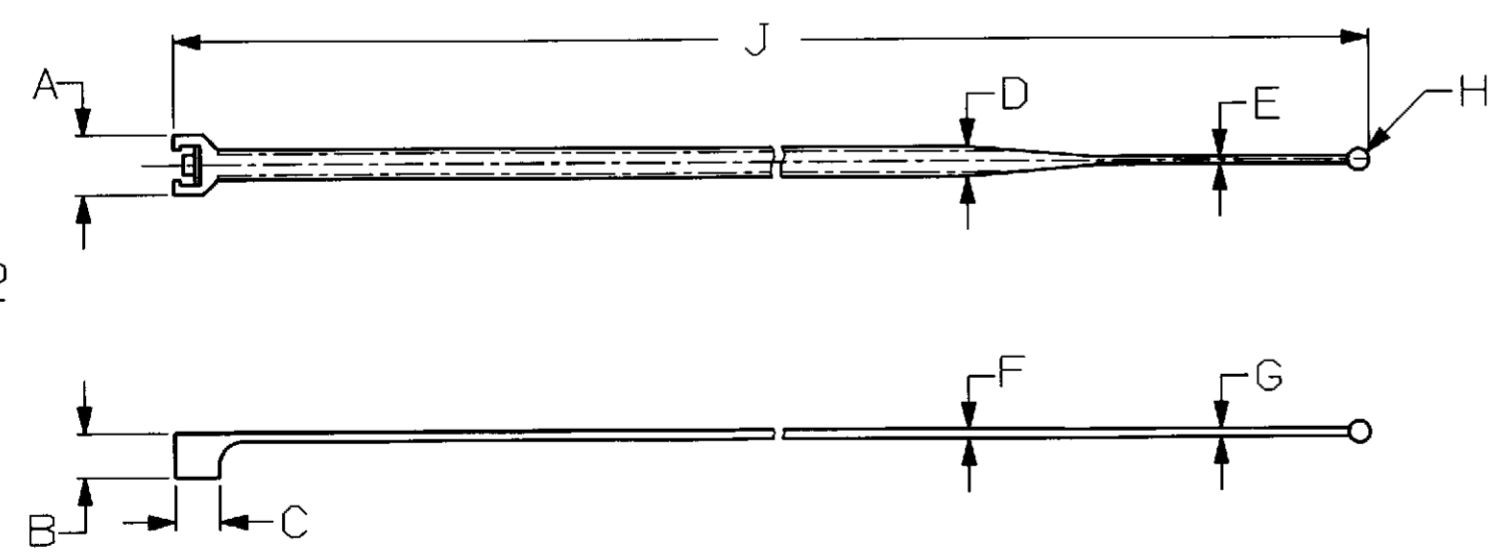
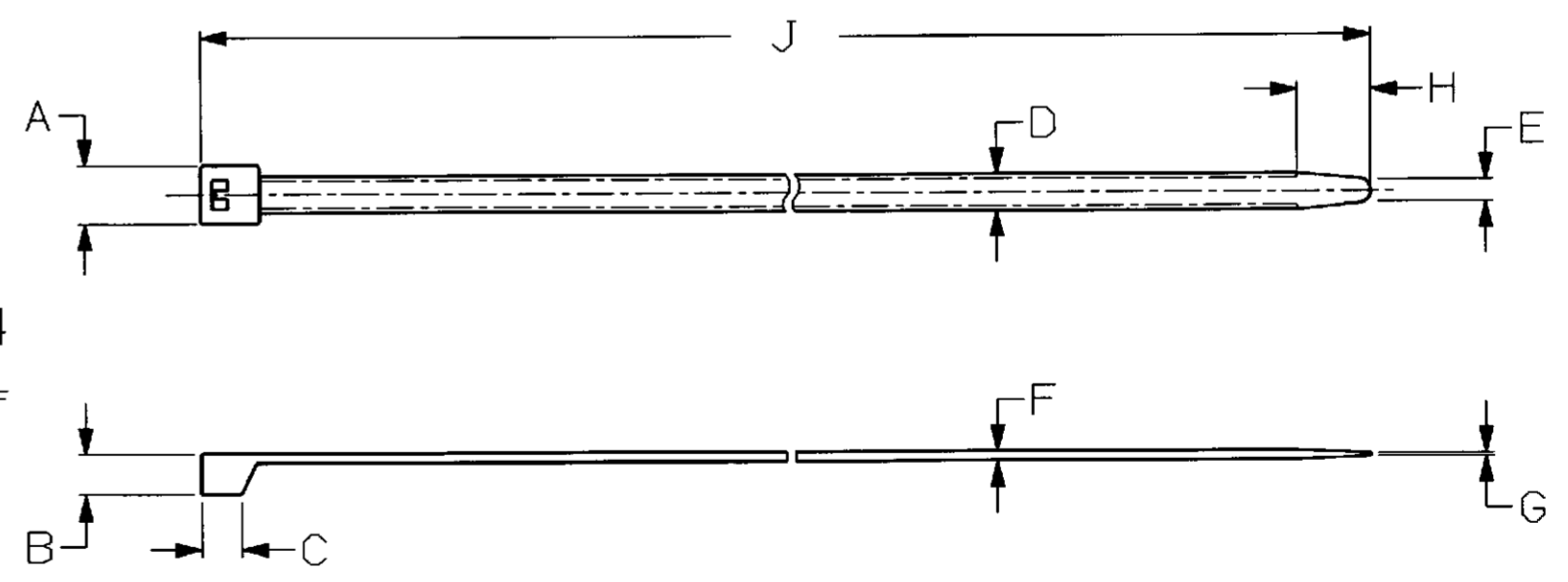


Fig-4
☒-4



- △1 1-171353-1 : DYED BLACK
- △2 1-171353-2 : UL94V-0
- △4 OBSOLETE PARTS: OBSOLETE CIS STREAMLINING PER D.RENAUD/D.SINISI
- △1 1-171353-1は 黒色に染色。
- △2 1-171353-2は 難燃性 UL-94V-0.

THIS DRAWING IS A CONTROLLED DOCUMENT FOR AMP INCORPORATED. IT IS SUBJECT TO CHANGE AND THE CONTROLLING ENGINEERING ORGANIZATION SHOULD BE CONTACTED FOR THE LATEST REVISION.		DWN A. Yamaguchi 30 MAR 98	INSULATION DIA 被覆外径
DIMENSIONS 単位 純 mm		CHK APVD 30 MAR 98	AMP 日本エー・エム・シー株式会社 Kawasaki, Japan
TOLERANCES UNLESS OTHERWISE SPECIFIED 一般公差 ±0.4		NAME SK バインダー ケーブル タイ SK BINDER CABLE TIE	RESTRICTED TO ---
MATERIAL 材料 66 ナイロン	FINISH 仕上	APPLICATION SPEC 取付適用規格	SIZE A2
CUSTOMER DRAWING		WEIGHT	DRAWING NO C-171353
SCALE 尺度 1:1		SHEET OF REV M1	