



Chipsmall Limited consists of a professional team with an average of over 10 year of expertise in the distribution of electronic components. Based in Hongkong, we have already established firm and mutual-benefit business relationships with customers from,Europe,America and south Asia,supplying obsolete and hard-to-find components to meet their specific needs.

With the principle of “Quality Parts,Customers Priority,Honest Operation,and Considerate Service”,our business mainly focus on the distribution of electronic components. Line cards we deal with include Microchip,ALPS,ROHM,Xilinx,Pulse,ON,Everlight and Freescale. Main products comprise IC,Modules,Potentiometer,IC Socket,Relay,Connector.Our parts cover such applications as commercial,industrial, and automotives areas.

We are looking forward to setting up business relationship with you and hope to provide you with the best service and solution. Let us make a better world for our industry!



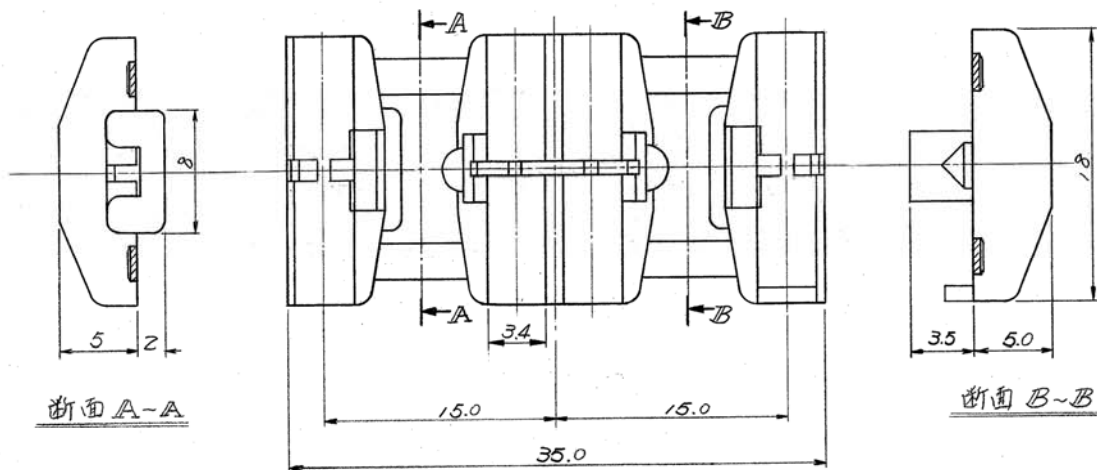
Contact us

Tel: +86-755-8981 8866 Fax: +86-755-8427 6832

Email & Skype: info@chipsmall.com Web: www.chipsmall.com

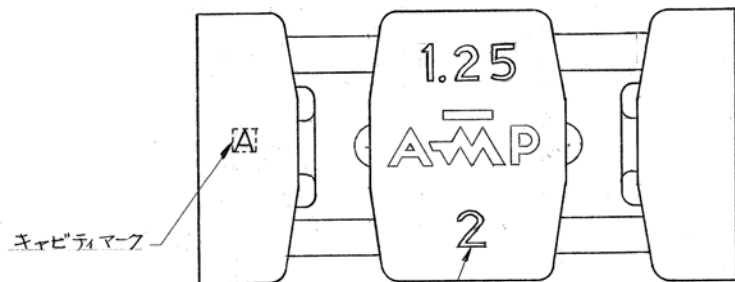
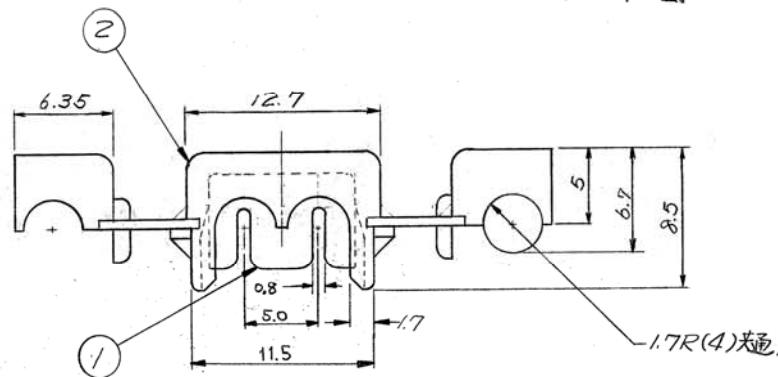
Address: A1208, Overseas Decoration Building, #122 Zhenhua RD., Futian, Shenzhen, China





断面 A-A

断面 B-B



通用電線表示マーク

通用電線範囲とハウジングカラー

171404-1	1.25~2.0 (AWG#16~14)	2.0~3.4	青
型番	通用電線 (mm ²)	被覆外径 (mm)	HSG カラー

注: 1. 製品規格 108-5079 による

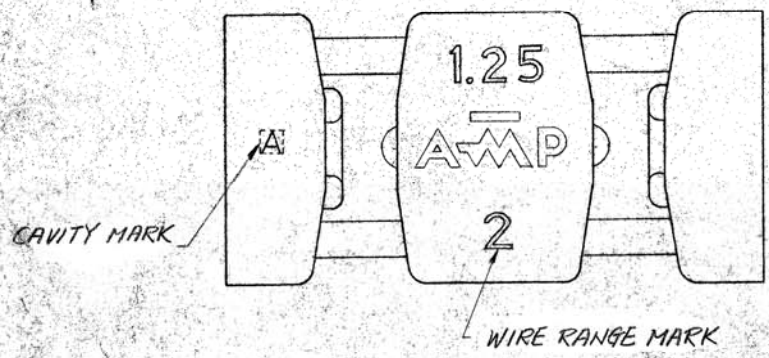
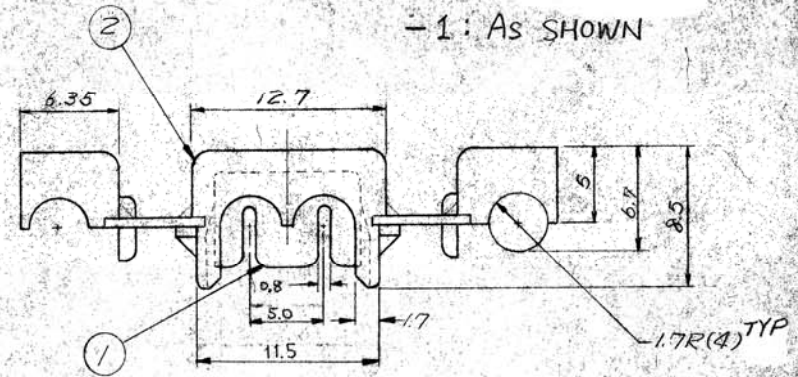
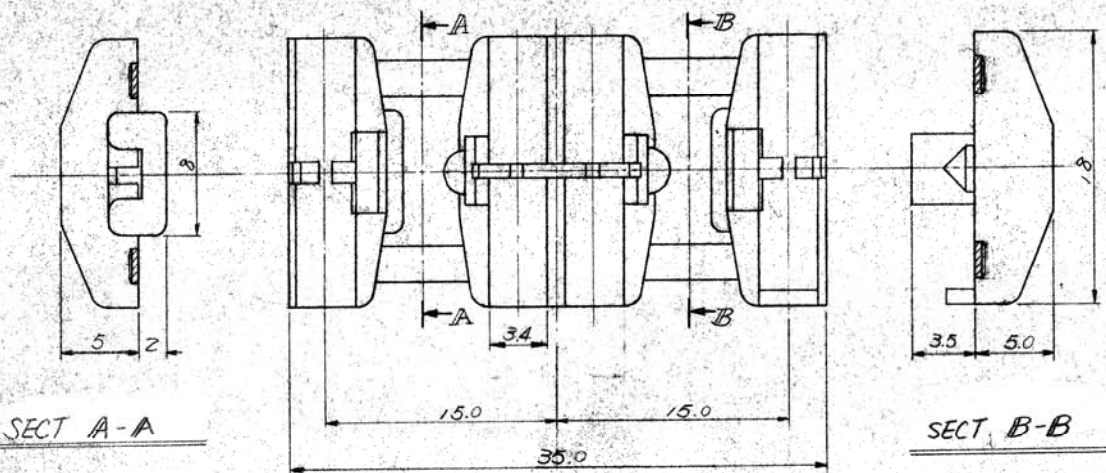
ハウジング	66ナイロン	2
エレクトロスタット	黄銅(電気錫めっき)	1
番号	摘要(REMARKS): 材料	ITEM NO.

B	REVISED	H.O	N.Y	29 JUN 2016
A	REVISED (REV A)	H.S	J.S	11/15
01	ADDED NOTE 1	H.S	J.S	8/20/14
0	RELEASED	H.S	J.S	7/29/14
LTR.	変更 (REVISION RECORD)	DR.	CHK.	DATE

番号 (NUMBER)
C-171404

組立部品 (REQUIRED PER ASSEMBLY)	番号 (NUMBER)	名称 (NAME)	摘要 (REMARKS): 材料	ITEM NO.
	©1975 年 日本エー・エム・ピー株式会社 AMP 社の諸製品は特許又は特許出願中	© 1975 by AMP (Japan), Ltd. ALL RIGHTS RESERVED. AMP PRODUCTS COVERED BY PATENTS AND/OR PATENTS PENDING	参考図面 (CUSTOMER COPY REFERENCE ONLY)	
材料 (MATERIAL)	表参照	適合電線範囲 (WIRE RANGE)	表参照	TRADEMARK
仕上 (FINISH)	表参照	被覆外径 (INSULATION DIA.)	表参照	日本エー・エム・ピー株式会社 TOKYO, JAPAN
DR.	Ryusa 7/24/14	一般公差 (TOLERANCE EXCEPT AS NOTED)	±0.4 ±1.0	分組 (CLASS)
CHK.	J. Imazumi 7/29/14	尺度 (SCALE)	3=1	型式 (TYPE)
DE.		名称 (NAME)		LOC
APP.	Y. Sato 7/29/14	名称 (NAME)	1.25~2.0mm ² エレクトロスタット アッセンブリ	SIZE
				番号 (NO)
				J B C-171404
				REV.
				B

単位: 純 DIMENSIONS IN MM. DO NOT SCALE PRINT



PRODUCT SPECIFICATION : 108-5079

HOUSING		6/6 NYLON (BLUE)	2
CONTACT		BRASS ELECTRO-TIN	1
名称 (NAME)		MATERIAL	ITEM NO.
独立部品 (REQUIRED PER ASSEMBLY)		参考図面 (CUSTOMER COPY) (REFERENCE ONLY)	
©1975 日本エー・エム・ピー株式会社 AMP社の諸製品は特許又は特許出願中		©1975 BY AMP (Japan), Ltd. ALL RIGHTS RESERVED. AMP PRODUCTS COVERED BY PATENTS AND/OR PATENTS PENDING	
材料 (MATERIAL)		適合電線断面 (WIRE RANGE)	日本エー・エム・ピー株式会社 TOKYO, JAPAN TRADEMARK
色 (FINISH)		1.25-2.0 mm ² (AWS 16-14)	
DR. <i>R. Quana</i>		線径外径 (INSULATION DIA.)	分類 (CLASS)
CHK. <i>T. Sanyama</i>		2.0-3.4 DIA mm	形式 (TYPE)
DE. <i>T. Sanyama</i>		一般公差 (TOLERANCE)	LOG SIZE 番号 (NO)
APP. <i>T. Sanyama</i>		±0.0 EXCEPT AS NOTED	3-1
E (DESCRIPTION)		名称 (NAME)	REV.
		ELECTRO TAP (COLOR: BLUE)	B

B	REVISED	H.O. N.Y.	2/21/75
A	REVISED (REV. A)	H.S.J.	1/15/75
01	ADDED NOTE 1	H.S.J.	1/15/75
0	RELEASED	H.S.J.	2/27/75
LTR.	REVISION REASON	DR. CHK. DATE	

C-171404

単位 注 DIMENSIONS IN MM. DO NOT SCALE PRINT