



Chipsmall Limited consists of a professional team with an average of over 10 year of expertise in the distribution of electronic components. Based in Hongkong, we have already established firm and mutual-benefit business relationships with customers from,Europe,America and south Asia,supplying obsolete and hard-to-find components to meet their specific needs.

With the principle of “Quality Parts,Customers Priority,Honest Operation,and Considerate Service”,our business mainly focus on the distribution of electronic components. Line cards we deal with include Microchip,ALPS,ROHM,Xilinx,Pulse,ON,Everlight and Freescale. Main products comprise IC,Modules,Potentiometer,IC Socket,Relay,Connector.Our parts cover such applications as commercial,industrial, and automotives areas.

We are looking forward to setting up business relationship with you and hope to provide you with the best service and solution. Let us make a better world for our industry!



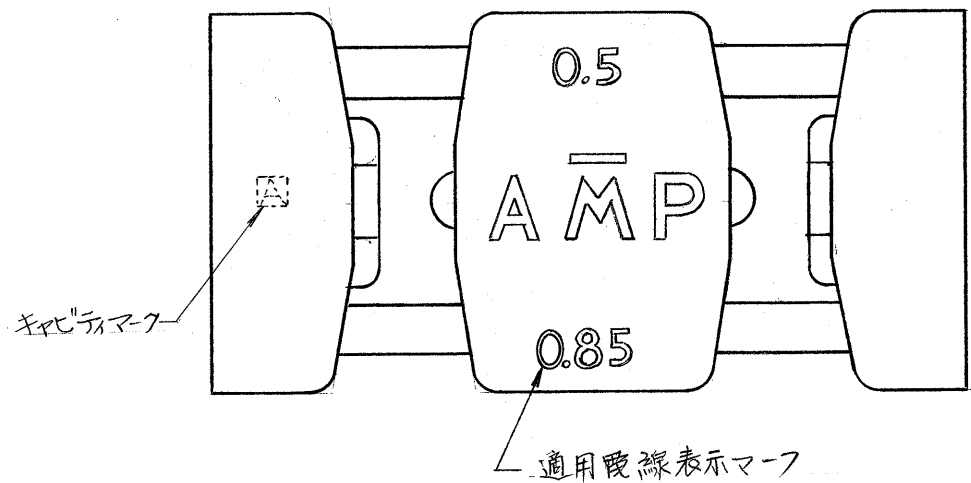
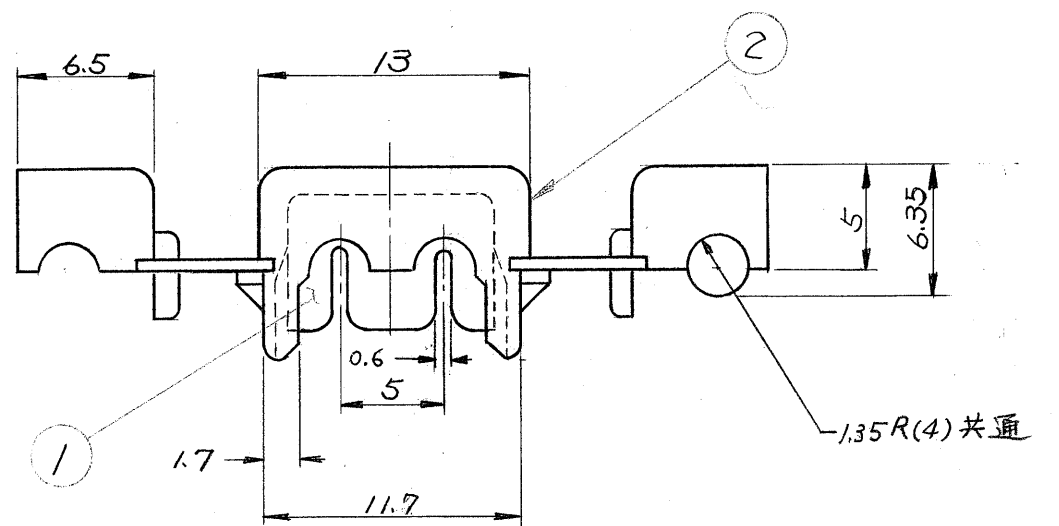
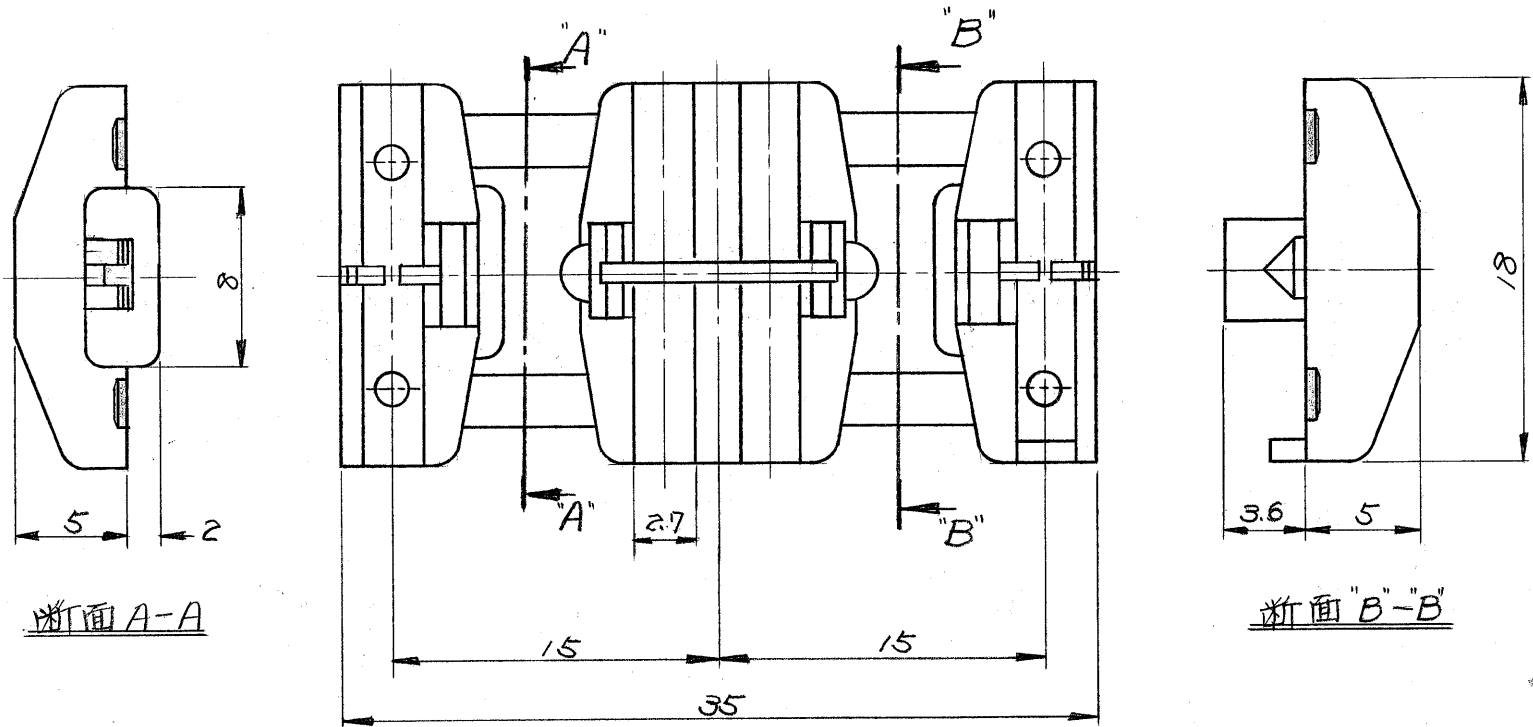
Contact us

Tel: +86-755-8981 8866 Fax: +86-755-8427 6832

Email & Skype: info@chipsmall.com Web: www.chipsmall.com

Address: A1208, Overseas Decoration Building, #122 Zhenhua RD., Futian, Shenzhen, China





注:
1. 製品規格 108-5079 による

番号 (NUMBER)	適用電線 被覆外径 (mm)	名称 (NAME)	色	摘要 (REMARKS)	材料	ITEM NO.
# 171426-2	#	#	ハウジング	黒	66 ナイロン	2
# 171426-1	#	#	ハウジング	赤	66 ナイロン	2
# 171406-2	0.5-0.85 (AWG#20-18)	1.5-2.8 エレクトロタップコンタクト	#		黄銅 (電気錫めっき)	1

組立部品 (REQUIRED PER ASSEMBLY)		©1974 日本エー・エム・ピー株式会社 AMP社の諸製品は特許又は特許出願中		©1974 BY AMP (Japan), Ltd. ALL RIGHTS RESERVED. AMP PRODUCTS COVERED BY PATENTS AND/OR PATENTS PENDING		参考図面 (CUSTOMER COPY) REFERENCE ONLY	
材料 (MATERIAL)		表参照		抱合電線断面積 (WIRE RANGE) mm ² (AWG)		Tyco Electronics Tyco Electronics Corporation Kawasaki, Japan	
仕上 (FINISH)		表参照		被覆外径 (INSULATION DIA.) mm (IN)		分類 (CLASS) —/—	
DR. H. Shibagaki 9/30/74		一般公差 (TOLERANCE EXCEPT AS NOTED) ±0.4 ±1.0		尺度 (SCALE)		型式 (TYPE) —/—	
CHK. J. Imaizumi 9/30/74		名称 (NAME)		LOC J A3		番号 (NO) C-171425	
DE. Y. Sato 10/9/74		名称 (NAME)		名称 (NAME)		REV. C1	
APP. Y. Sato 10/9/74		名称 (NAME)		名称 (NAME)		名称 (NAME)	

番号 (NUMBER)	変更 (REVISION RECORD)	DR.	CHK.	DATE
C1	PIN OBSOLETE ECR-08-008133	Y.Y.	S.M.	01 APR 2008
C	変更 J-9875	A.J.	J.O.	5/6/77
B	ECN J84-7808 (REV. B)	H.B.	H.I.	7/6/74
A	ECN JS-3688 (REV. B)	H.I.	J.S.	7/1/74
O	RELEASED (REV. O)	H.S.	J.O.	8/24/74

番号 (NUMBER)	記号 (DESCRIPTION)
C-171425	171425

単位: 耗 DIMENSIONS IN MM. DO NOT SCALE. PRINT