



Chipsmall Limited consists of a professional team with an average of over 10 year of expertise in the distribution of electronic components. Based in Hongkong, we have already established firm and mutual-benefit business relationships with customers from,Europe,America and south Asia,supplying obsolete and hard-to-find components to meet their specific needs.

With the principle of “Quality Parts,Customers Priority,Honest Operation,and Considerate Service”,our business mainly focus on the distribution of electronic components. Line cards we deal with include Microchip,ALPS,ROHM,Xilinx,Pulse,ON,Everlight and Freescale. Main products comprise IC,Modules,Potentiometer,IC Socket,Relay,Connector.Our parts cover such applications as commercial,industrial, and automotives areas.

We are looking forward to setting up business relationship with you and hope to provide you with the best service and solution. Let us make a better world for our industry!



## Contact us

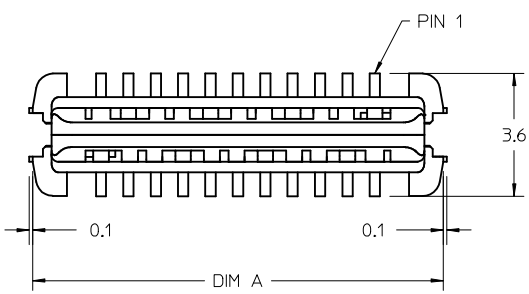
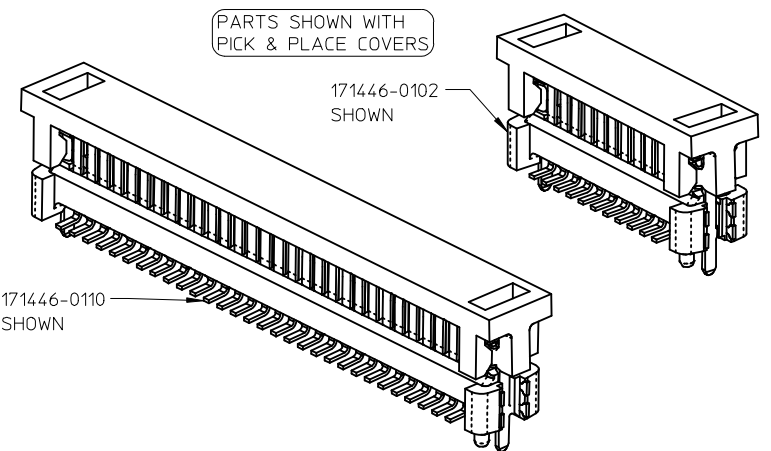
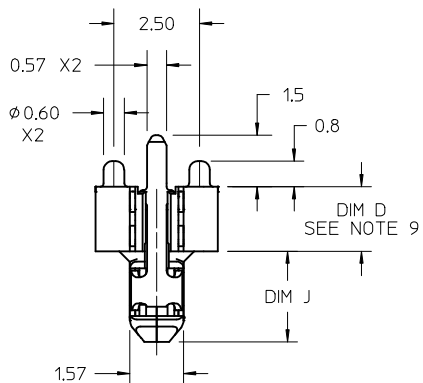
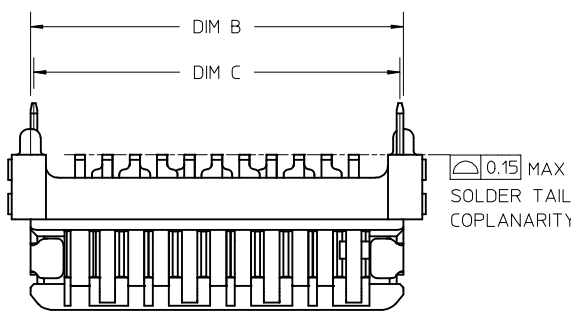
Tel: +86-755-8981 8866 Fax: +86-755-8427 6832

Email & Skype: info@chipsmall.com Web: www.chipsmall.com

Address: A1208, Overseas Decoration Building, #122 Zhenhua RD., Futian, Shenzhen, China



10 9 8 7 6 5 4 3 2 1



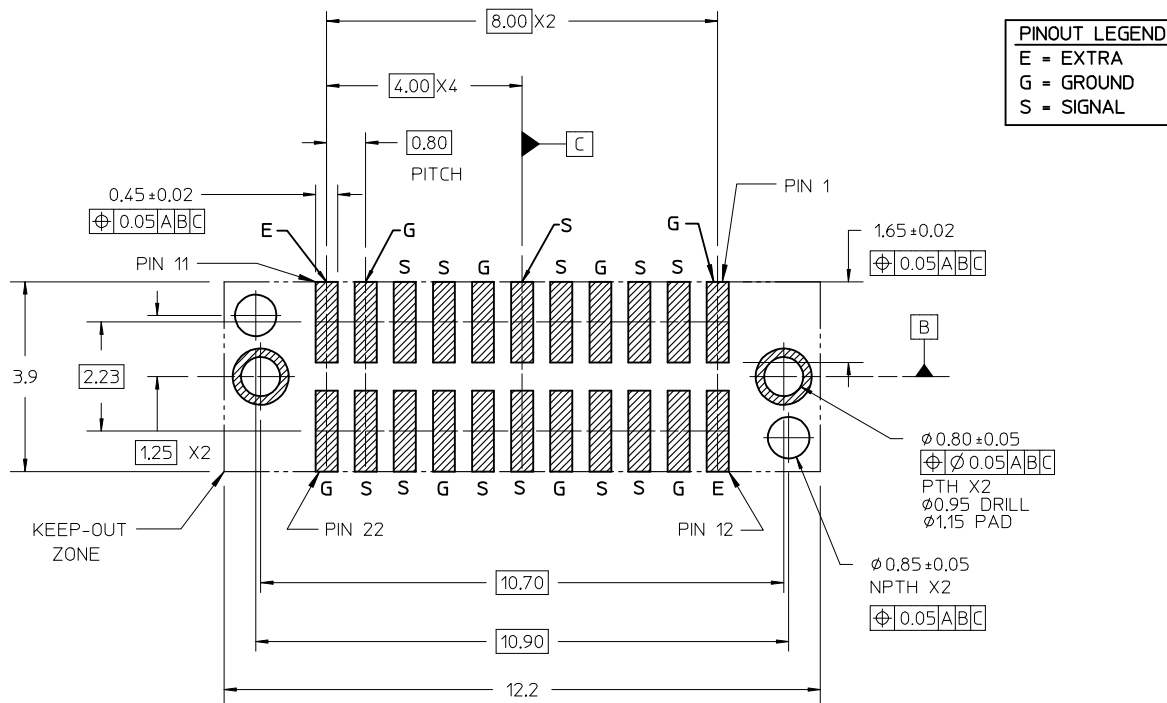
- NOTES:
1. MATERIALS: HOUSING: LCP, UL94V-0, BLACK  
CONTACTS: HIGH PERFORMANCE COPPER ALLOY
  2. FINISH: 0.76  $\mu$ m MIN SELECT GOLD IN CONTACT AREA  
SELECT TIN IN TAIL AREA, OVERALL NICKEL
  3. PRODUCT SPECIFICATION: PS-171446-0001
  4. PACKAGING SPECIFICATION: TAPE AND REEL  
PER PK-70873-6003
  5. MATES WITH SPEEDSTACK RECEPTACLE: 171450
  6. APPLICATION SPECIFICATION: AS-171450-9998
  7. COSMETIC SPECIFICATION: PS-45499-002 CLASS B
  8. PART STATUS: CONTACT MOLEX
  9. DIM D ON THIS DRAWING PLUS DIM D ON DRAWING  
# SD-171450-0000 EQUALS THE SYSTEM MATED  
STACK HEIGHT
  10. PARTS TO BE SHIPPED WITH PICK & PLACE COVERS.

PART NUMBER	CKT SIZE	DIFF PAIRS	SPARE CKTS	DIM A	DIM B	DIM C	DIM D	DIM J
171446-0101	22	6	2	12.0	10.90	10.70	0.90	2.6
171446-0102							1.90	
171446-0103							2.90	
171446-0104							3.90	
171446-0105							0.90	
171446-0106							1.90	
171446-0107							2.90	
171446-0108							3.90	
171446-0109							0.90	
171446-0110	60	16	8	27.2	26.10	25.90	1.90	3.6
171446-0111							2.90	
171446-0112							3.90	
171446-0113							0.90	
171446-0114							1.90	
171446-0115							2.90	
171446-0116							3.90	

<b>REVISED</b> EC NO: UCP2014-4032 DRWN: JBINGHAM 2014/03/27 CHKD: RNELSON 2014/03/27 APPR: JLAURX 2014/05/09 REV DESCRIPTION	QUALITY SYMBOLS	GENERAL TOLERANCES (UNLESS SPECIFIED)	DIMENSION STYLE <b>MM ONLY</b>	SCALE <b>7:1</b>	DESIGN UNITS <b>METRIC</b>	THIRD ANGLE PROJECTION	
		4 PLACES $\pm$ --- $\pm$ --- 3 PLACES $\pm$ --- $\pm$ --- 2 PLACES $\pm$ 0.13 $\pm$ --- 1 PLACE $\pm$ 0.25 $\pm$ --- 0 PLACE $\pm$ --- $\pm$ ---	DRAWN BY: TGREGORI DATE: 2013/03/27 CHECKED BY: _____ DATE: _____	TITLE	<b>PLUG ASSEMBLY SPEEDSTACK CONNECTOR</b> <b>molex</b>		
		ANGULAR $\pm$ 1/2° DRAFT WHERE APPLICABLE MUST REMAIN WITHIN DIMENSIONS	APPROVED BY: JCOMERC I DATE: 2013/04/25 MATERIAL NO.	DOCUMENT NO. <b>SD-171446-0000</b>			
				SEE TABLE SIZE B	THIS DRAWING CONTAINS INFORMATION THAT IS PROPRIETARY TO MOLEX INCORPORATED AND SHOULD NOT BE USED WITHOUT WRITTEN PERMISSION		

9 8 7 6 5 4 3 2 1

# PCB LAYOUT - 22 CKT



PCB LAYOUT (COMPONENT SIDE)

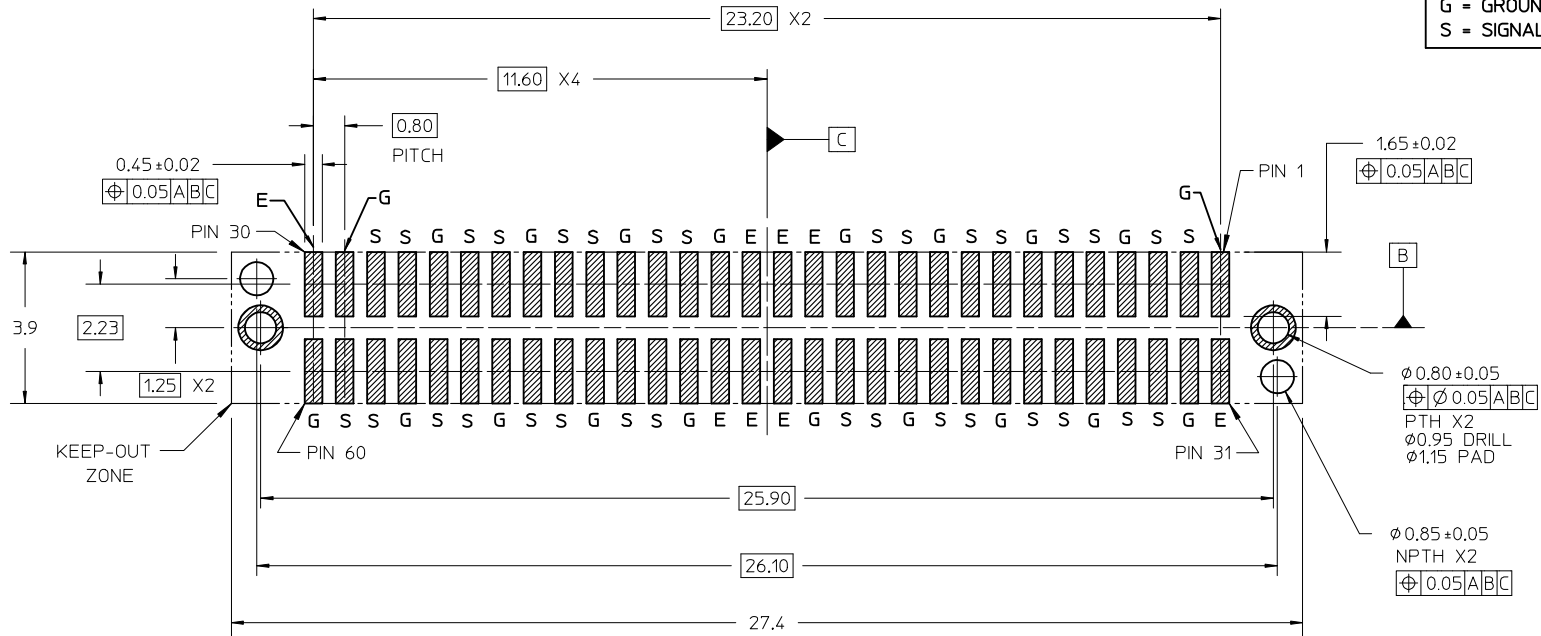
SOLDER PASTE THICKNESS: 0.15 MIN  
 DATUM **A** IS THE BOTTOM SURFACE OF THE PCB

NOTE:  
 PIN NUMBERING IS FOR REFERENCE ONLY.  
 OTHER PIN NUMBERS WILL NOT AFFECT THE  
 OPERATION OF THE CONNECTOR.

SEE SHEET 1 EC NO: UCP2014-4032 DRAWN: IBINGHAM 2014/03/27 CHKD: RNELSON 2014/03/27 APPR: JLAURX 2014/05/09	QUALITY SYMBOLS	GENERAL TOLERANCES (UNLESS SPECIFIED)	DIMENSION STYLE	SCALE	DESIGN UNITS	THIRD ANGLE PROJECTION	
		mm INCH	MM ONLY	10:1	METRIC		
		4 PLACES ± --- ± ---	DRAWN BY DATE	TITLE PLUG ASSEMBLY SPEEDSTACK CONNECTOR			
		3 PLACES ± --- ± ---	TGREGORI 2013/03/27				
		2 PLACES ± 0.13 ± ---	CHECKED BY DATE	DOCUMENT NO. SHEET NO.			
	1 PLACE ± 0.25 ± ---	APPROVED BY DATE					
	0 PLACE ± --- ± ---	JCOMERC I 2013/04/25	MATERIAL NO. SEE SHEET 1		SD-171446-0000 2 OF 3		
		ANGULAR ± 1/2° DRAFT WHERE APPLICABLE MUST REMAIN WITHIN DIMENSIONS	THIS DRAWING CONTAINS INFORMATION THAT IS PROPRIETARY TO MOLEX INCORPORATED AND SHOULD NOT BE USED WITHOUT WRITTEN PERMISSION				

# PCB LAYOUT – 60 CKT

PINOUT LEGEND	
E	= EXTRA
G	= GROUND
S	= SIGNAL



PCB LAYOUT (COMPONENT SIDE)

SOLDER PASTE THICKNESS: 0.15 MIN  
 DATUM **A** IS THE BOTTOM SURFACE OF THE PCB

NOTE:  
 PIN NUMBERING IS FOR REFERENCE ONLY.  
 OTHER PIN NUMBERS WILL NOT AFFECT  
 THE OPERATION OF THE CONNECTOR.

SEE SHEET 1 EC NO: UCP2014-4032 DRAWN: JBINGHAM 2014/03/27 CHKD: RNELSON 2014/03/27 APPR: JLAURX 2014/05/09	QUALITY SYMBOLS	GENERAL TOLERANCES (UNLESS SPECIFIED)	DIMENSION STYLE <b>MM ONLY</b>	SCALE <b>8:1</b>	DESIGN UNITS <b>METRIC</b>	THIRD ANGLE PROJECTION	
	DESCRIPTION		mm INCH	DRAWN BY TGREGORI	DATE 2013/03/27	TITLE <b>PLUG ASSEMBLY SPEEDSTACK CONNECTOR</b>	
		4 PLACES	± --- ± ---	CHECKED BY	DATE		
		3 PLACES	± --- ± ---	APPROVED BY JCOMERC I	DATE 2013/04/25		
		2 PLACES	± 0.13 ± ---	MATERIAL NO.	DOCUMENT NO. <b>SD-171446-0000</b>	SHEET NO. <b>3 OF 3</b>	
1 PLACE	± 0.25 ± ---	DRAFT WHERE APPLICABLE MUST REMAIN WITHIN DIMENSIONS		<b>molex</b> THIS DRAWING CONTAINS INFORMATION THAT IS PROPRIETARY TO MOLEX INCORPORATED AND SHOULD NOT BE USED WITHOUT WRITTEN PERMISSION			
0 PLACE	± --- ± ---	ANGULAR ± 1/2°	SIZE <b>B</b>				