



Chipsmall Limited consists of a professional team with an average of over 10 year of expertise in the distribution of electronic components. Based in Hongkong, we have already established firm and mutual-benefit business relationships with customers from,Europe,America and south Asia,supplying obsolete and hard-to-find components to meet their specific needs.

With the principle of “Quality Parts,Customers Priority,Honest Operation,and Considerate Service”,our business mainly focus on the distribution of electronic components. Line cards we deal with include Microchip,ALPS,ROHM,Xilinx,Pulse,ON,Everlight and Freescale. Main products comprise IC,Modules,Potentiometer,IC Socket,Relay,Connector.Our parts cover such applications as commercial,industrial, and automotives areas.

We are looking forward to setting up business relationship with you and hope to provide you with the best service and solution. Let us make a better world for our industry!



Contact us

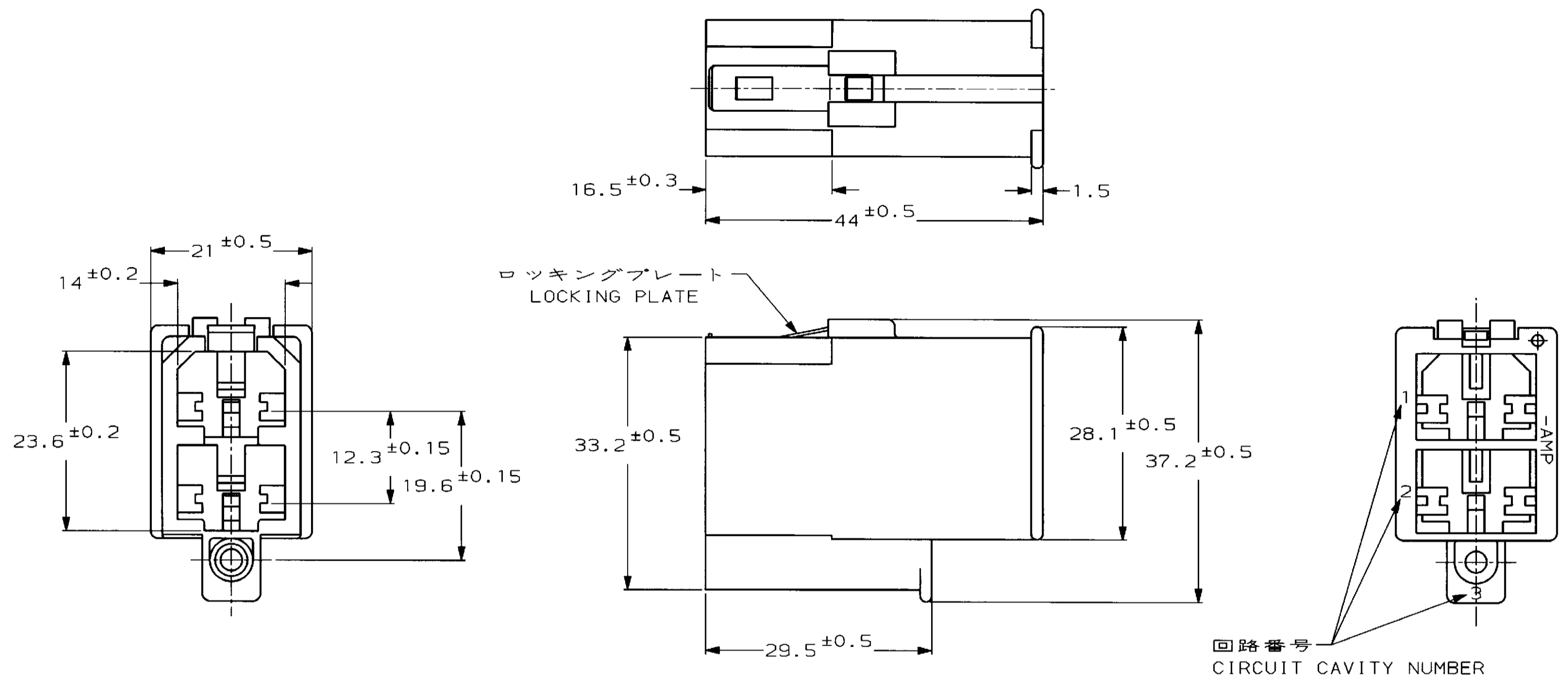
Tel: +86-755-8981 8866 Fax: +86-755-8427 6832

Email & Skype: info@chipsmall.com Web: www.chipsmall.com

Address: A1208, Overseas Decoration Building, #122 Zhenhua RD., Futian, Shenzhen, China



REVOLUTIONS		変更	ECN	DATE	DWN	APVD
P	LTR	DESCRIPTION				
	D	REDRAWN W/CHANGE	FJ00-1090-98	05JUN98	TS	43
	D1	REV PER ECO-10-000030		21JAN10	KK	HMR



- 1 THE MATING CAP HOUSING PART NUMBER; 171447
 - 2 APPLIED CONTACT PART NUMBER; 280074, 280075, 350218, 350547
 - 3 MATERIAL : HOUSING : 66 NYLON
LOCKING PLATE: STAINLESS
 - 4 OBSOLETE PARTS: OBSOLETE CIS STREAMLINING PER D.RENAUD/D.SINISI
- 1 嵌合相手ハウジング型番 ; 171447
 - 2 適用するタブコンタクト型番 ; 280074, 280075
メイテンロックピン型番 ; 350218, 350547
 - 3 材料 ; ハウジング : 66ナイロン
ロックプレート : ステンレス

BROWN 茶	171449-3
BLACK 黒	171449-2
△ OBSOLETE NATURAL 自然色	171449-1
COLOR 色	PART NUMBER 型番

THIS DRAWING IS A CONTROLLED DOCUMENT FOR AMP INCORPORATED. IT IS SUBJECT TO CHANGE AND THE CONTROLLING ENGINEERING ORGANIZATION SHOULD BE CONTACTED FOR THE LATEST REVISION.		DWN CHK APVD 15JUN98	
DIMENSIONS 単位 概 mm	TOLERANCES UNLESS OTHERWISE SPECIFIED 一般公差 10 _{mm} ±0.2 30 _{mm} ±0.25 100 _{mm} ±0.3 ANGLE : ±0.3°	PRODUCT SPEC 製品規格 108-5094	NAME 名称 2POSITION CAP HOUSING 2極 キャップ ハウジング 375 SERIES F-F CONNECTOR 375 シリーズ F-F コネクタ
MATERIAL 材料 SEE NOTE	FINISH 仕上 —	APPLICATION SPEC 取付適用規格 —	SIZE 寸法 A2 00779
WEIGHT 重量 8.6g		DRAWING NO 番号 C= 171449	RESTRICTED TO 制限 ---
CUSTOMER DRAWING		SCALE 尺法 2:1	SHEET 枚数 1 OF 1 REV D1