



Chipsmall Limited consists of a professional team with an average of over 10 year of expertise in the distribution of electronic components. Based in Hongkong, we have already established firm and mutual-benefit business relationships with customers from,Europe,America and south Asia,supplying obsolete and hard-to-find components to meet their specific needs.

With the principle of “Quality Parts,Customers Priority,Honest Operation,and Considerate Service”,our business mainly focus on the distribution of electronic components. Line cards we deal with include Microchip,ALPS,ROHM,Xilinx,Pulse,ON,Everlight and Freescale. Main products comprise IC,Modules,Potentiometer,IC Socket,Relay,Connector.Our parts cover such applications as commercial,industrial, and automotives areas.

We are looking forward to setting up business relationship with you and hope to provide you with the best service and solution. Let us make a better world for our industry!



Contact us

Tel: +86-755-8981 8866 Fax: +86-755-8427 6832

Email & Skype: info@chipsmall.com Web: www.chipsmall.com

Address: A1208, Overseas Decoration Building, #122 Zhenhua RD., Futian, Shenzhen, China



1/0 CABLE SIZE

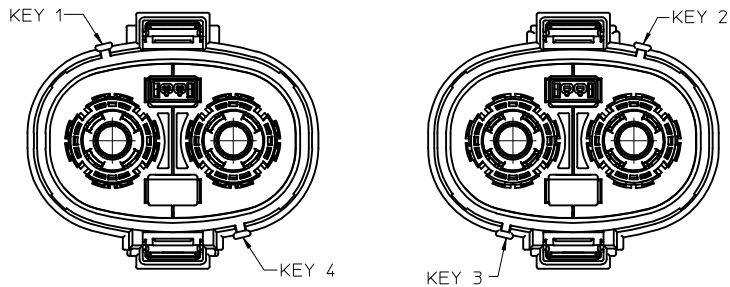
KIT PART NUMBER	KEYING OPTION	CABLE
171466-9001	A	CHAMPLAIN CABLE CORP EXRAD-FSX1/0X
171466-9002	B	

1 AWG CABLE SIZE

KIT PART NUMBER	KEYING OPTION	CABLE
171466-9101	A	CHAMPLAIN CABLE CORP EXRAD-FSX1X
171466-9102	B	

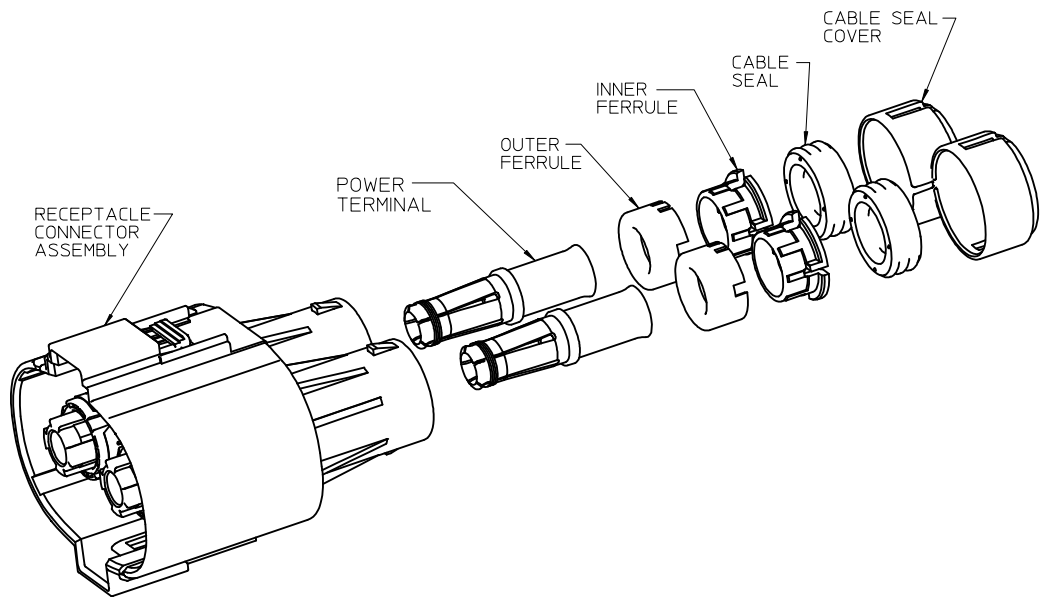
NOTES:

- ONE KIT CONTAINS THE COMPONENTS REQUIRED TO TERMINATE 30 SINGLE ENDED HARNESSSES OR 15 DOUBLE ENDED HARNESSSES. POWER CABLE PURCHASED SEPARATELY
- SEE MOLEX APPLICATION SPECIFICATION AS-171467-001 FOR POWER CABLE INFORMATION, PROCESSING AND ASSEMBLY REQUIRMENTS
- PRODUCT SPECIFICATION: PS-171467-001
- APPLICATION SPECIFICATION AS-171467-001
- POWER CIRCUITS FOR USE WITH MOLEX TERMINAL 31561-70** PER MOLEX DRAWING SD-31561-70**
- KITS TO BE PACKAGED WITH THE RECEPTACLE CONNECTOR ASSEMBLY AND POWER TERMINALS TRAY PACKED AND THE REMAINING COMPONENTS BULK PACKED. PACKAGING KIT DRAWING NO PK-171466-999



KEYING OPTION A
(MOLEX STANDARD
KEYING VERSION)

KEYING OPTION B



PACK KIT COMPONENTS

USE OF THIS PRODUCT REQUIRES THAT APPROPRIATE HIGH VOLTAGE WARNING LABELS BE APPLIED TO THE CABLE ASSEMBLY AND/OR IN CLOSE PROXIMITY OF THE MATED CONNECTOR APPLICATION IN A MANNER THAT PROVIDES SUITABLE WARNING TO THE END USER AND MEETS APPLICABLE LAWS. IT IS THE RESPONSIBILITY OF THE OEM OR MANUFACTURER OF THE PRODUCT IN WHICH THIS CONNECTOR SYSTEM IS USED TO APPLY THE APPROPRIATE HIGH VOLTAGE WARNING LABEL(S) TO THE FINAL PRODUCT. TO THE EXTENT MOLEX IS NOT RESPONSIBLE FOR THE FINAL CABLE ASSEMBLY, MOLEX DISCLAIMS ALL WARRANTIES AND LIABILITY THAT RESULT FROM A FAILURE TO PROVIDE AN APPROPRIATE WARNING.

REVISED NOTE 5 EC NO: UCP2014-5284 DRWNG: JUILLES 2014/06/17 CHKD: MDATA 2014/06/17 APPR: APATEL 2014/06/24	QUALITY SYMBOLS	GENERAL TOLERANCES (UNLESS SPECIFIED)	DIMENSION STYLE MM ONLY	SCALE 1:1	DESIGN UNITS METRIC	THIRD ANGLE PROJECTION
	▽=0	mm INCH	DRAWN BY DATE	TITLE		
	▽=0	4 PLACES ± --- ± ---	MDATA 2013/02/15	KIT ASSY RECEPT HARNESS SEALED AND SHIELDED IMPERIUM 2 CKT		
	▽=0	3 PLACES ± --- ± ---	CHECKED BY DATE			
	▽=0	2 PLACES ± 0.13 ± ---	MDATA 2013/02/15			
		1 PLACE ± 0.25 ± ---	APPROVED BY DATE	DOCUMENT NO.		
	0 PLACE ± --- ± ---	APATEL 2013/03/18	SD-171466-9000			
6	ANGULAR ±1/2°	DRAFT WHERE APPLICABLE MUST REMAIN WITHIN DIMENSIONS	MATERIAL NO. SEE CHART	SHEET NO. 1 OF 1		
			THIS DRAWING CONTAINS INFORMATION THAT IS PROPRIETARY TO MOLEX INCORPORATED AND SHOULD NOT BE USED WITHOUT WRITTEN PERMISSION			