

Chipsmall Limited consists of a professional team with an average of over 10 year of expertise in the distribution of electronic components. Based in Hongkong, we have already established firm and mutual-benefit business relationships with customers from,Europe,America and south Asia,supplying obsolete and hard-to-find components to meet their specific needs.

With the principle of “Quality Parts,Customers Priority,Honest Operation,and Considerate Service”,our business mainly focus on the distribution of electronic components. Line cards we deal with include Microchip,ALPS,ROHM,Xilinx,Pulse,ON,Everlight and Freescale. Main products comprise IC,Modules,Potentiometer,IC Socket,Relay,Connector.Our parts cover such applications as commercial,industrial, and automotives areas.

We are looking forward to setting up business relationship with you and hope to provide you with the best service and solution. Let us make a better world for our industry!



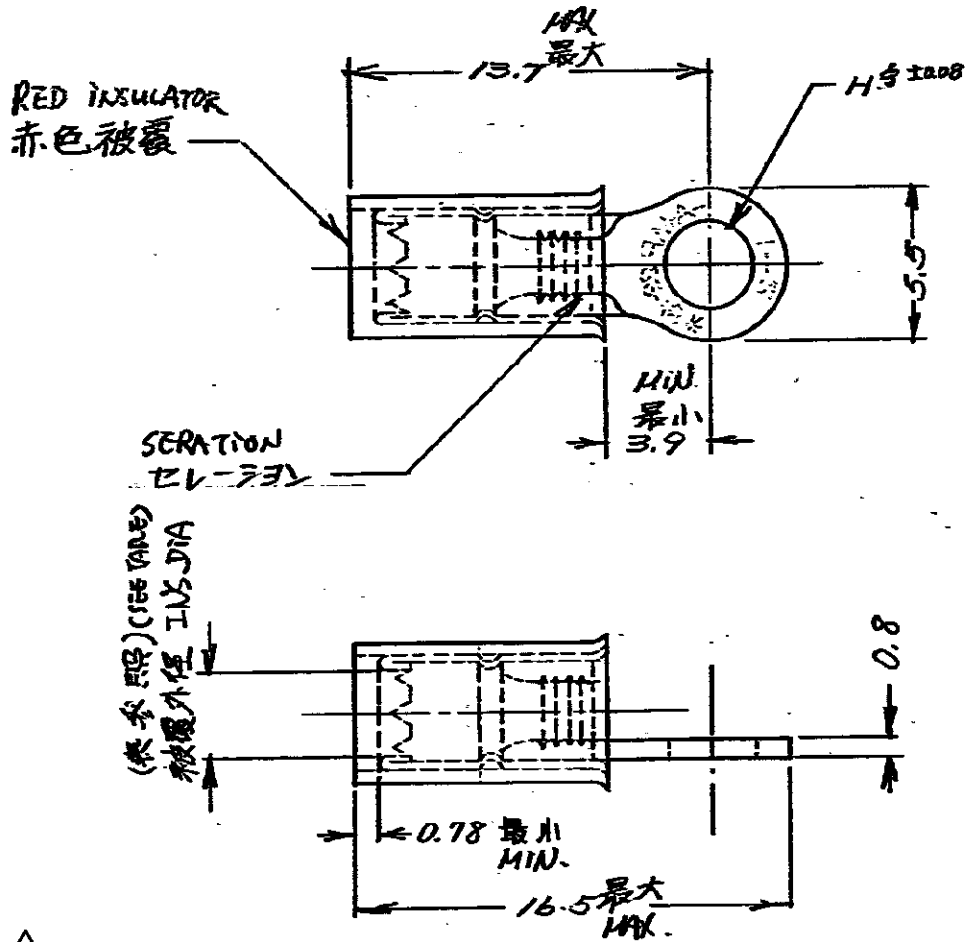
Contact us

Tel: +86-755-8981 8866 Fax: +86-755-8427 6832

Email & Skype: info@chipsmall.com Web: www.chipsmall.com

Address: A1208, Overseas Decoration Building, #122 Zhenhua RD., Futian, Shenzhen, China

BY INDUSTRIAL C-171505



1 OBSOLETE PARTS: OBSOLETE CIS STREAMLINING PER D.RENAUD/D.SINISI

(P/N) 型番	(STUD) スト	(H DIM) H寸法	(INS. DIA) 被覆外径
171505-1	#4	3.02	2.03~3.18
-2	#6	3.68	2.03~3.18
-3	#4	3.02	2.67~3.56
-4	#6	3.68	2.67~3.56
-5	#1	2.03	2.03~3.18
-6	"	3.25	2.03~3.18
171505-7	#2	2.36	2.03~3.18

OBSOLETE 1

UNIT: ALL DIMENSIONS IN MM. DO NOT SCALE PRINT

D2	REV PER ECO-10-000444	KK	AEG	08 JAN 10	<p>(CROSS BY AMP) ALL RIGHTS RESERVED. AMP PRODUCTS COVERED BY PATENTS AND/OR PATENTS PENDING.</p>		参考図面 (CUSTOMER COPY) REFERENCE ONLY
D1	OBSOLETE (REV. B)	K.N	YT	2-8	材料 (MATERIAL): 電線銅	AMP	AMP (JAPAN), LTD. Tokyo, Japan
D	REVISED (REV. B)	K.Y	S.	4/12	仕様 (SPEC): 銅線		
C	REVISED (REV. B)	S.O	Y.H	1/12	線径 (WIRE RANGE): 0.26~1.04 (AWG 22-18)		
B	ADDED MARK	H.S	M.I	8/15	被覆 (INSULATION DIA): 参考照		
A	REVISED (REV. A)	H.S	M.I	7/15	公差 (TOLERANCE): ±0.5 (EXCEPT AS NOTED) ±1.0	縮尺 (SCALE): 4-1	型番 (NO.): JAC-171505
LTR	変更 (REVISION) RECORD	DR	CHK	DATE	社名 (FIRM): 丸型端子 RING TERMINAL		REV. D2