



Chipsmall Limited consists of a professional team with an average of over 10 year of expertise in the distribution of electronic components. Based in Hongkong, we have already established firm and mutual-benefit business relationships with customers from,Europe,America and south Asia,supplying obsolete and hard-to-find components to meet their specific needs.

With the principle of “Quality Parts,Customers Priority,Honest Operation,and Considerate Service”,our business mainly focus on the distribution of electronic components. Line cards we deal with include Microchip,ALPS,ROHM,Xilinx,Pulse,ON,Everlight and Freescale. Main products comprise IC,Modules,Potentiometer,IC Socket,Relay,Connector.Our parts cover such applications as commercial,industrial, and automotives areas.

We are looking forward to setting up business relationship with you and hope to provide you with the best service and solution. Let us make a better world for our industry!



Contact us

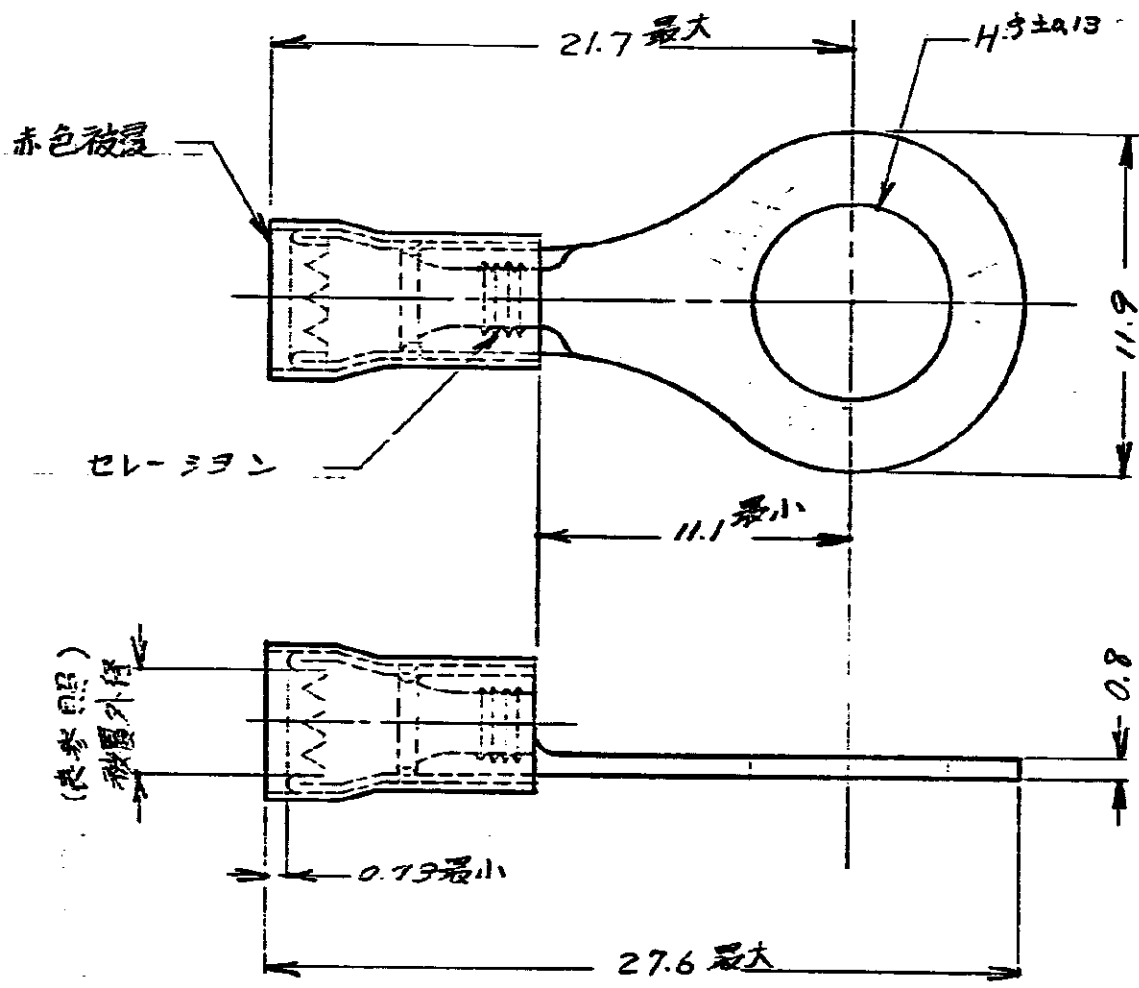
Tel: +86-755-8981 8866 Fax: +86-755-8427 6832

Email & Skype: info@chipsmall.com Web: www.chipsmall.com

Address: A1208, Overseas Decoration Building, #122 Zhenhua RD., Futian, Shenzhen, China



C-171507



型番	スチッド	H寸法	被覆外径
171507-1	1/4	6.73	2.03 ~ 3.18
↓ -2	5/16	8.33	2.03 ~ 3.18
↓ -3	1/4	6.73	2.66 ~ 3.56
171507-4	5/16	8.33	2.66 ~ 3.56

LINESHIFTS IN AIR DO NOT SCALE PRINT

E REVISED (REV-D) X.Y. N.S. 4/1/72		© 1975 BY AMP CORP. LTD. ALL RIGHTS RESERVED. AMP PRODUCTS COVERED BY PATENTS AND/OR PATENTS PENDING.		お客様用 CUSTOMER COPY REFERENCE ONLY	
D REVISED (REV-C) S.O. 4/1/72		MATERIAL 電気銅		TRADE MARK	
C ADDED MARK H.S. M.I. 3/1/75		ALL TRADE MARKS 鋼のつぎ		TOKYO, JAPAN	
B REVISED (REV-B) H.S. M.I. 7/1/75		DIMENSION RANGE 0.26 ~ 1.04		CLASS 4	
A REVISED (REV-A) H.S. K.M. 1/1/72		TOLERANCE EXCEPT AS NOTED		4-1 J A C-171507 E	
C 631092-21-31825-1 表参照		TOLERANCE EXCEPT AS NOTED		4-1 J A C-171507 E	
4		REVISION RECORD: DR. CHK. DATE		NAME: 丸型端	
G		10/20/72			