



Chipsmall Limited consists of a professional team with an average of over 10 year of expertise in the distribution of electronic components. Based in Hongkong, we have already established firm and mutual-benefit business relationships with customers from,Europe,America and south Asia,supplying obsolete and hard-to-find components to meet their specific needs.

With the principle of “Quality Parts,Customers Priority,Honest Operation,and Considerate Service”,our business mainly focus on the distribution of electronic components. Line cards we deal with include Microchip,ALPS,ROHM,Xilinx,Pulse,ON,Everlight and Freescale. Main products comprise IC,Modules,Potentiometer,IC Socket,Relay,Connector.Our parts cover such applications as commercial,industrial, and automotives areas.

We are looking forward to setting up business relationship with you and hope to provide you with the best service and solution. Let us make a better world for our industry!



Contact us

Tel: +86-755-8981 8866 Fax: +86-755-8427 6832

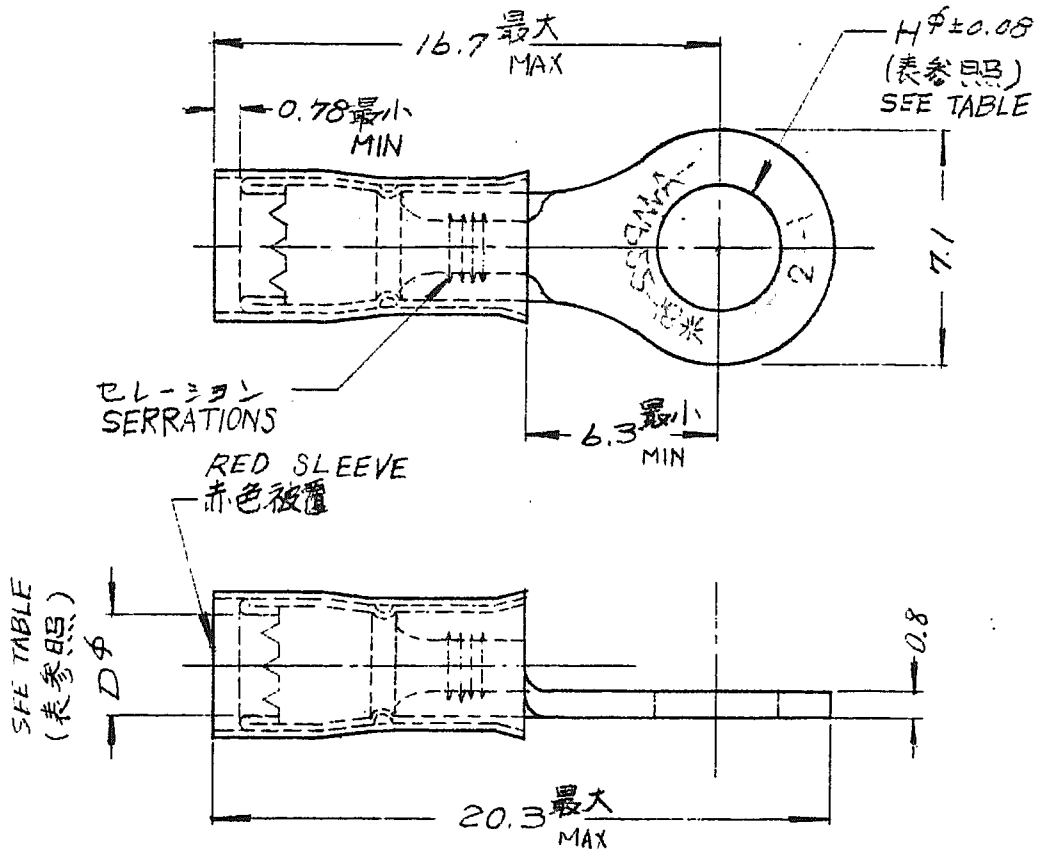
Email & Skype: info@chipsmall.com Web: www.chipsmall.com

Address: A1208, Overseas Decoration Building, #122 Zhenhua RD., Futian, Shenzhen, China



1 OBSOLETE PARTS: OBSOLETE CIS STREAMLINING PER D.RENAUD/D.SINISI

C-171508



製品番号	STUD SIZE スタッドサイズ	Hφ	INSULATION DIA 被覆外径 D	
171508-1	#6	3.68	2.03~3.18	
-2	#8	4.34	2.03~3.18	
-3	#10	5	2.03~3.18	OBSOLETE (F)
-4	#6	3.68	2.67~3.56	
-5	#8	4.34	2.67~3.56	
-6	#10	5	2.67~3.56	OBSOLETE (E)
-7	5mm	5.26	2.03~3.18	OBSOLETE (A)
-8	5mm	5.26	2.67~3.56	
171508-9	#4	3.02	2.03~3.18	

単位: 寸 寸法は寸法表を参照してください DO NOT SCALE PRINT

		参考図面 (CUSTOMER COPY REFERENCE ONLY)	
MATERIAL: 電線銅 COPPER		TE Connectivity	
FINISH: ANNEAL TIN PL 焼付処理 錫めっき		WIRE RANGE: 0.26~1.04 mm (AWG 22-13)	
INSULATION: 表参照 SEE TABLE		PART TYPE: P.I.D.G フルインジケイト 3ワイヤドックアップ	
TOLERANCE: EXCEPT AS NOTED		SCALE: 4-1	
LOF: JAC-171508		REV: F2	
NAME: 丸型端子 WIRE TERMINAL ASSEMBLY			

F2	REVISED PER ECO-11-005030	RK	HMR	23MAR11
LTR	変更 REVISION RECORD	DR	CHK.	DATE
DR:	2/6/11	DE:	2/6/11	
CHK:	2/6/11	APP:	2/6/11	