



Chipsmall Limited consists of a professional team with an average of over 10 year of expertise in the distribution of electronic components. Based in Hongkong, we have already established firm and mutual-benefit business relationships with customers from,Europe,America and south Asia,supplying obsolete and hard-to-find components to meet their specific needs.

With the principle of "Quality Parts,Customers Priority,Honest Operation,and Considerate Service",our business mainly focus on the distribution of electronic components. Line cards we deal with include Microchip,ALPS,ROHM,Xilinx,Pulse,ON,Everlight and Freescale. Main products comprise IC,Modules,Potentiometer,IC Socket,Relay,Connector.Our parts cover such applications as commercial,industrial, and automotives areas.

We are looking forward to setting up business relationship with you and hope to provide you with the best service and solution. Let us make a better world for our industry!



Contact us

Tel: +86-755-8981 8866 Fax: +86-755-8427 6832

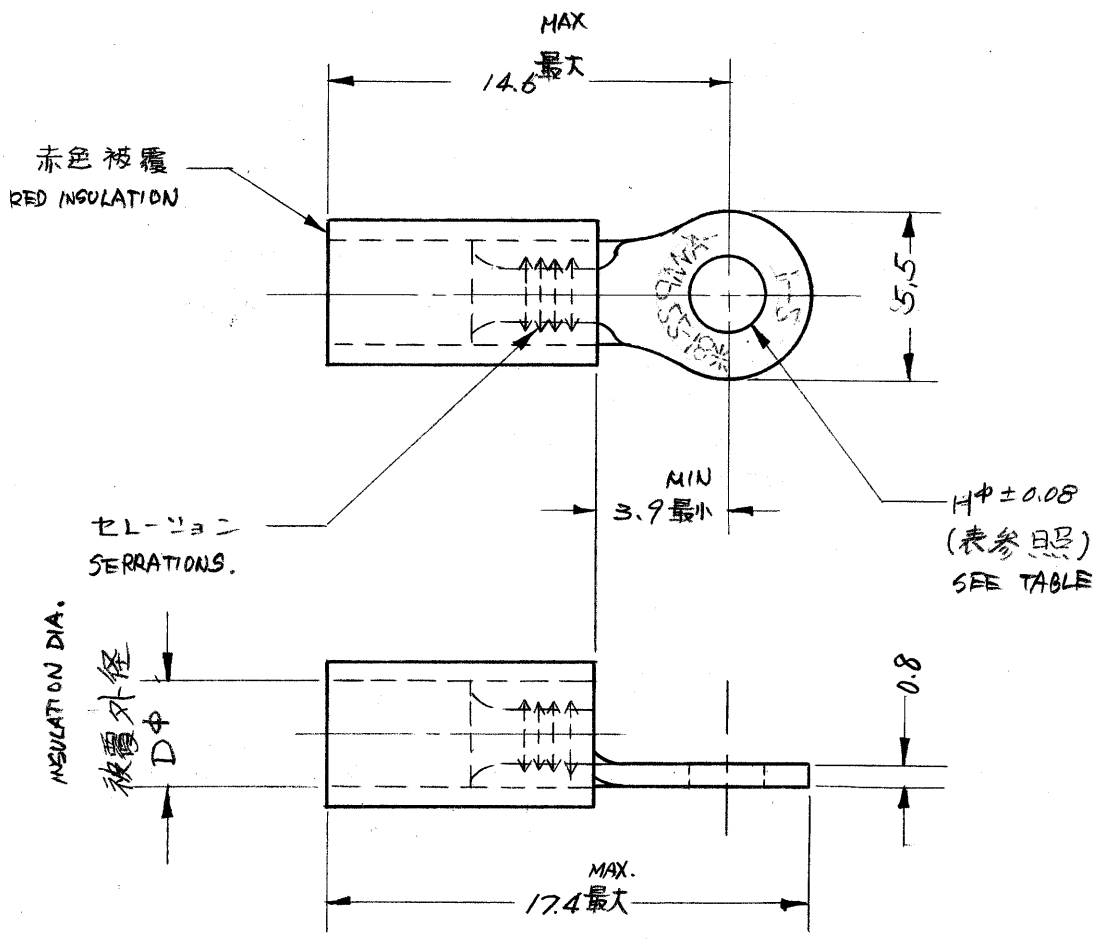
Email & Skype: info@chipsmall.com Web: www.chipsmall.com

Address: A1208, Overseas Decoration Building, #122 Zhenhua RD., Futian, Shenzhen, China



△ OBSOLETE PARTS: OBSOLETE CIS STREAMLINING PER D.RENAUD/D.SINISI

番号 (NUMBER)
C-171510



	P/N	STUD	INSULATION DIA.
△ OBSOLETE	型番	スタッド	被覆外径 D ^中
	171510-1	#2	2.36
	-2	#4	3.02
	-3	#6	3.68
	-4	#2	2.36
	-5	#4	3.02
	171510-6	#6	3.68

PRINT DIST 4
単位: 耗 DIMENSIONS IN MM. DO NOT SCALE PRINT

D2	REV PER ECO-10-000444	KK	AEG	08JAN 10	©1975 BY AMP (Japan), Ltd. ALL RIGHTS RESERVED. AMP PRODUCTS COVERED BY PATENTS AND/OR PATENTS PENDING.	参考図面 (CUSTOMER COPY REFERENCE ONLY)
D1	OBSOLETE (P-DWG) (REV. A)	K.N	4.7	6/16/93	材料 (MATERIAL) 電気銅 (COPPER)	AMP AMP (JAPAN), LTD. Tokyo, Japan
D	REVISED (P-DWG) (REV. B)	K.Y.	4.8	6/20/78	仕上 (FINISH) ANNEALED S.P.L.	
C	REVISED (P-DWG) (REV. B)	S.O	4.8	1/18/72	焼在製, 錫めっき	分類 (CLASS) ー
B	ADDED MARK	H.S	4.1	8/11/75	抱合電線断面積 (WIRE RANGE) 0.26 ~ 1.04 mm ² (AWG 22-18)	型式 (TYPE) PLASTIC
A	REVISED (P-DWG) (REV. A)	H.S	4.1	7/1/75	被覆外径 (INSULATION DIA.) 表参照 SEE TABLE mm (IN)	プラスチック グリップ GRIP
LTR.	変更 (REVISION RECORD)	DR.	CHK.	DATE	一般公差 (TOLERANCE) EXCEPT AS NOTED ±0.4 ±1.0	尺度 (SCALE) 4:1
DR.	S. Yoshida		DR.	T. Higuchi		LOC SIZE 番号 (NO.) J A C-171510
CHK.	S. Higuchi		APP.	Y. Sato		REV. D2
					名称 (NAME) 丸型端子 RING TONGUE TERMINAL	