



Chipsmall Limited consists of a professional team with an average of over 10 year of expertise in the distribution of electronic components. Based in Hongkong, we have already established firm and mutual-benefit business relationships with customers from,Europe,America and south Asia,supplying obsolete and hard-to-find components to meet their specific needs.

With the principle of “Quality Parts,Customers Priority,Honest Operation,and Considerate Service”,our business mainly focus on the distribution of electronic components. Line cards we deal with include Microchip,ALPS,ROHM,Xilinx,Pulse,ON,Everlight and Freescale. Main products comprise IC,Modules,Potentiometer,IC Socket,Relay,Connector.Our parts cover such applications as commercial,industrial, and automotives areas.

We are looking forward to setting up business relationship with you and hope to provide you with the best service and solution. Let us make a better world for our industry!



Contact us

Tel: +86-755-8981 8866 Fax: +86-755-8427 6832

Email & Skype: info@chipsmall.com Web: www.chipsmall.com

Address: A1208, Overseas Decoration Building, #122 Zhenhua RD., Futian, Shenzhen, China



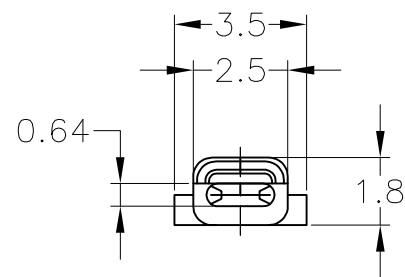
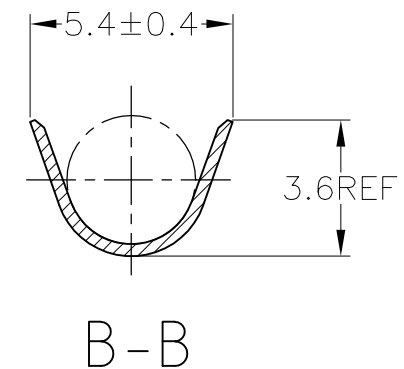
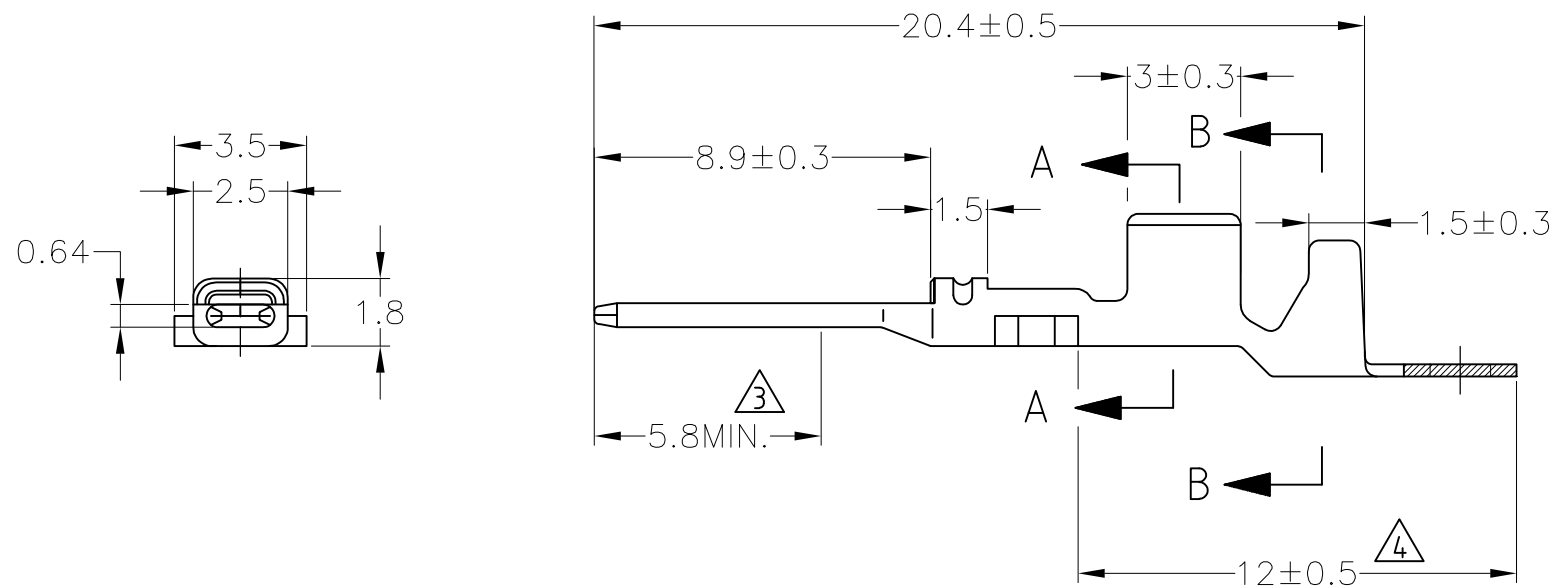
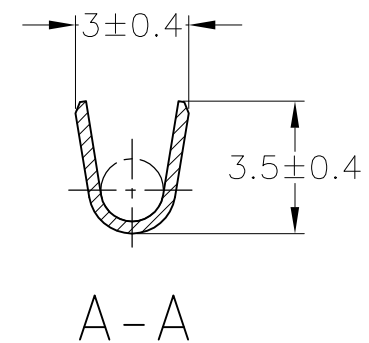
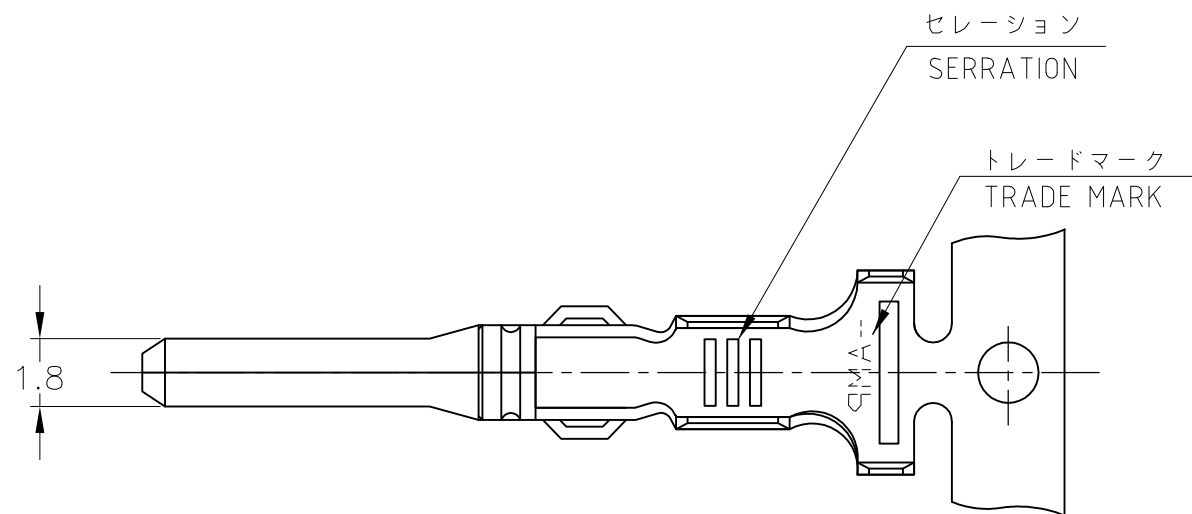
THIS DRAWING IS UNPUBLISHED.

RELEASED FOR PUBLICATION

ALL RIGHTS RESERVED.

© COPYRIGHT - By -

LOC	DIST	REVISIONS			
P	LTR	DESCRIPTION	DATE	DWN	APVD
J	-	E2	REVISED PER ECO-11-005140	28MAR11	RK HMR



- 1. 嵌合相手端子型番 : 171662
- 2. バラ状端子型番 : 173706

- 1. RECEPTACLE CONTACT PN: 171662
- 2. L/P CONTACT PN 173706

△3 SELECTIVE GOLD 部分金めっき	△4 SELECTIVE TIN 部分錫めっき	BRASS 黄銅 板厚0.32	171661-5	3
△3 SELECTIVE GOLD 部分金めっき		BRASS 黄銅 板厚0.32	171661-2	2
	PRE-TIN (0.76μm MIN.) 錫めっき済	BRASS 黄銅 板厚0.32	171661-1	1
FINISH 仕上		MATERIAL 材料	PN 型番	ITEM No. 項番

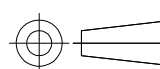
WIRE RANGE
抱合電線断面積
0.5-1.25mm² (AWG #20-#16)

INSULATION DIA
被覆外径
2-2.6

THIS DRAWING IS A CONTROLLED DOCUMENT.

DIMENSIONS:
単位: 耗
mm

TOLERANCES UNLESS
OTHERWISE SPECIFIED:
一般公差



- 0 PLC ± -
- 1 PLC ± -
- 2 PLC ± -
- 3 PLC ± -
- 4 PLC ± -
- ANGLES ± -

MATERIAL
材料

SEE TABLE
表参照

FINISH
仕上

SEE TABLE
表参照

一般公差 (GENERAL TOLERANCE)	
10以下	±0.2
10を超え 30以下	±0.25
30を超え 100以下	±0.3
角度	±3°

DWN	T.SHINOHARA	27JUN01
CHK	K.BETSUI	27JUN01
APVD	K.BETSUI	27JUN01
PRODUCT SPEC	製品規格	
APPLICATION SPEC	取付適用規格	
WEIGHT	0.35 g	

TE Connectivity			NAME 名称	
			ECONOSEAL J-MARKII CONNECTOR TAB CONTACT	
SIZE	CAGE CODE	DRAWING NO 番号	RESTRICTED TO	
A3	00779	C-171661	-	

CUSTOMER DRAWING	SCALE 尺度 5:1	SHEET 1 OF 1	REV E2
------------------	-----------------	-----------------	-----------