



Chipsmall Limited consists of a professional team with an average of over 10 year of expertise in the distribution of electronic components. Based in Hongkong, we have already established firm and mutual-benefit business relationships with customers from,Europe,America and south Asia,supplying obsolete and hard-to-find components to meet their specific needs.

With the principle of "Quality Parts,Customers Priority,Honest Operation,and Considerate Service",our business mainly focus on the distribution of electronic components. Line cards we deal with include Microchip,ALPS,ROHM,Xilinx,Pulse,ON,Everlight and Freescale. Main products comprise IC,Modules,Potentiometer,IC Socket,Relay,Connector.Our parts cover such applications as commercial,industrial, and automotives areas.

We are looking forward to setting up business relationship with you and hope to provide you with the best service and solution. Let us make a better world for our industry!



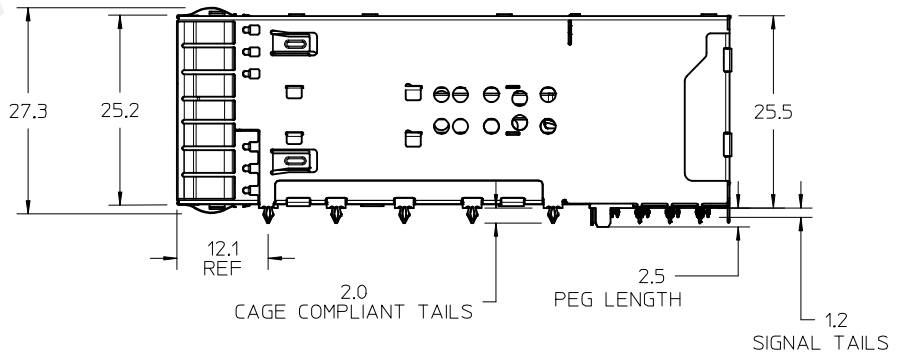
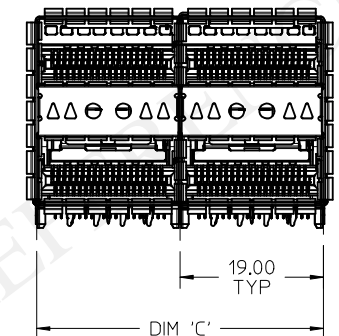
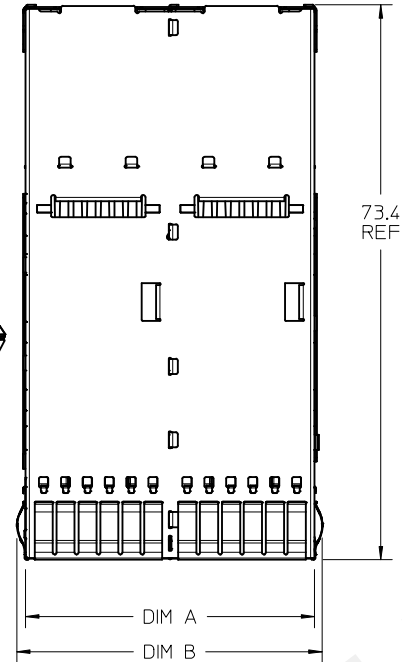
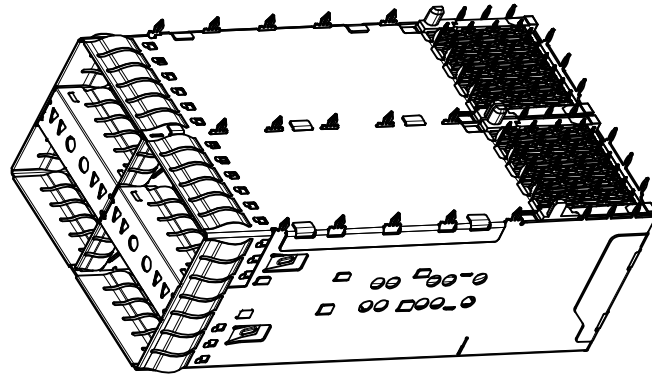
## Contact us

Tel: +86-755-8981 8866 Fax: +86-755-8427 6832

Email & Skype: info@chipsmall.com Web: www.chipsmall.com

Address: A1208, Overseas Decoration Building, #122 Zhenhua RD., Futian, Shenzhen, China





NOTES:

1. MATERIAL:

- CAGE: NICKEL SILVER, 0.25 THICK
- EMI STRAPS: PHOS-BRONZE, 0.10 THICK
- LIGHT PIPES: POLYCARBONATE, 94V-0 (OPTIONAL)
- CONNECTOR HOUSING: HIGH PERFORMANCE THERMOPLASTIC, 94V-0
- TERMINALS: HIGH PERFORMANCE COPPER ALLOY, 0.18 THICK

2. FINISH:

- SPRING FINGERS: 100µm NICKEL OVERALL
- TERMINALS: CONTACT AREA: 0.76µm MIN GOLD OVER  
2.5µm MIN NICKEL.
- COMPLIANT AREA: 0.76-1.52µm MATTE TIN  
OVER 1.27µm MIN NICKEL.

3. ALL SURFACES TO BE CLASS 'C' OR BETTER PER MOLEX COSMETIC SPECIFICATION PS-45499-002.

4. REFER TO PK-76871-9001 FOR ALL PACKAGING SPECIFICATIONS.

5. CONNECTOR INTENDED TO MATE WITH PLUG CABLE SERIES 74757 AND 74758.

6. DATE CODE LOCATION SHOWN, DATE CODE FORMAT: DDD Y

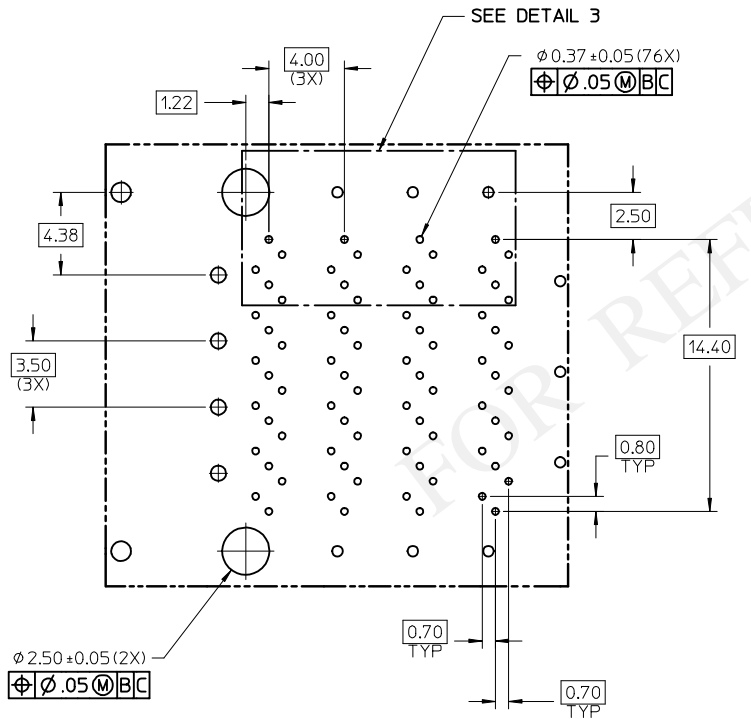
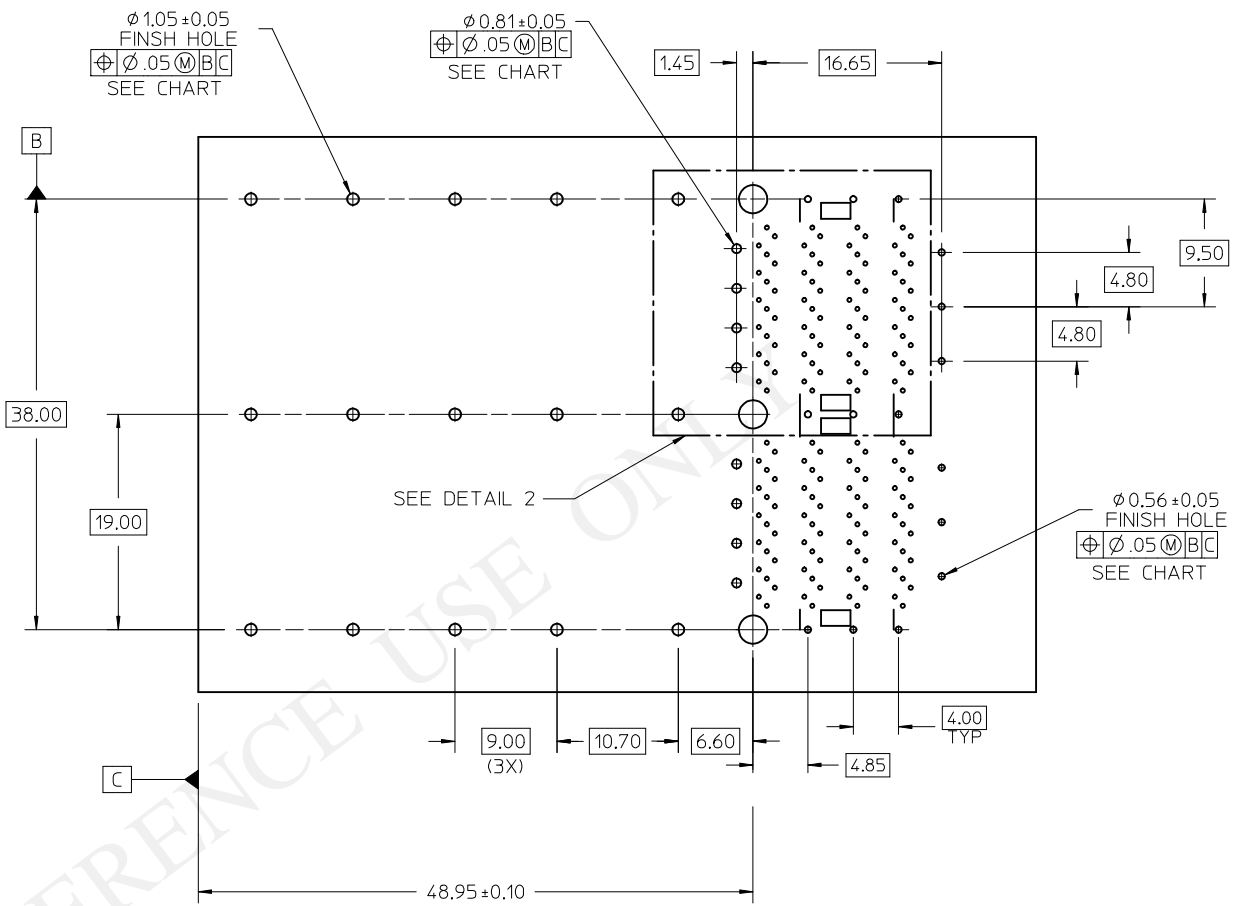
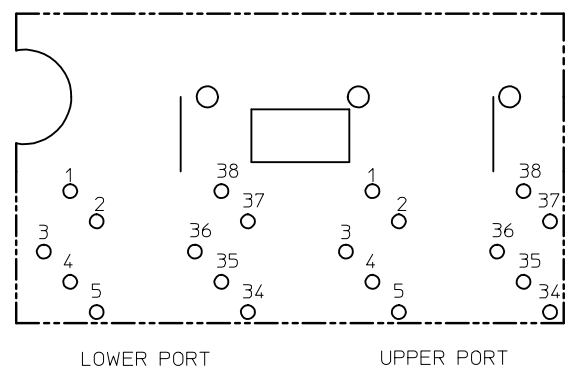
DDD = DAY OF THE YEAR, Y = YEAR.

PORT SIZE	PART NUMBER	DIM A	DIM B	DIM C
2X1	171565-1005	19.3	21.4	19.0
2X2	171565-0005	38.3	40.4	38.0
2X3	171565-3005	57.3	59.4	57.0

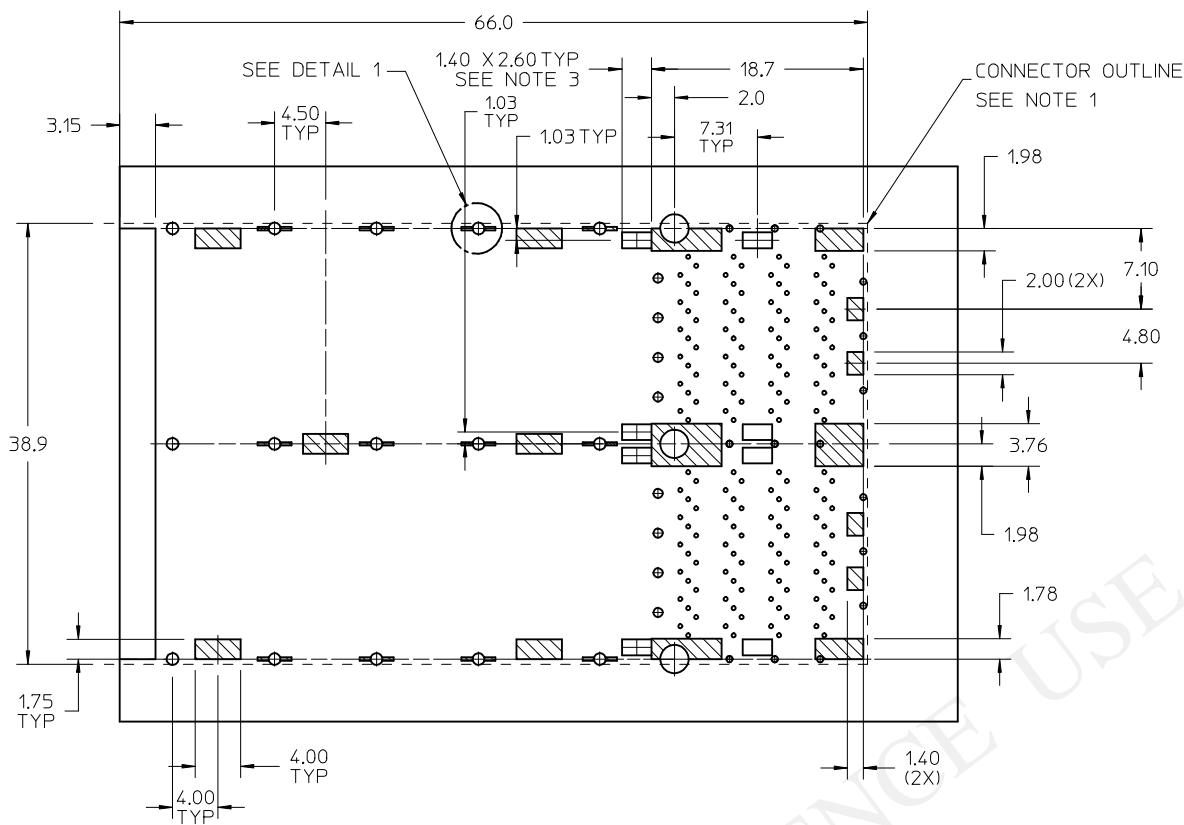
INITIAL RELEASE EC NO: UCP2015-2161 DRW:HAVERY 2014/11/21 CHKD: APPR:HAVERY 2014/11/21 REV:	QUALITY SYMBOLS	GENERAL TOLERANCES (UNLESS SPECIFIED) <table border="1"> <tr> <th></th> <th>mm</th> <th>INCH</th> </tr> <tr> <td>4 PLACES</td> <td>± ---</td> <td>± ---</td> </tr> <tr> <td>3 PLACES</td> <td>± ---</td> <td>± ---</td> </tr> <tr> <td>2 PLACES</td> <td>± 0.13</td> <td>± ---</td> </tr> <tr> <td>1 PLACE</td> <td>± 0.25</td> <td>± ---</td> </tr> <tr> <td>0 PLACE</td> <td>± ---</td> <td>± ---</td> </tr> </table>		mm	INCH	4 PLACES	± ---	± ---	3 PLACES	± ---	± ---	2 PLACES	± 0.13	± ---	1 PLACE	± 0.25	± ---	0 PLACE	± ---	± ---	DIMENSION STYLE <b>MM ONLY</b>	SCALE <b>2:1</b>	DESIGN UNITS <b>METRIC</b>	THIRD ANGLE PROJECTION
			mm	INCH																				
	4 PLACES		± ---	± ---																				
	3 PLACES		± ---	± ---																				
2 PLACES	± 0.13	± ---																						
1 PLACE	± 0.25	± ---																						
0 PLACE	± ---	± ---																						
DRAWN BY HAVERY	DATE 2014/11/04	TITLE <b>ZQSFP 2X2 4 INTERNAL LIGHT PIPES WITH EMI SPRING FINGERS</b>																						
CHECKED BY	DATE	<b>molex</b>																						
APPROVED BY HAVERY	DATE 2014/11/05	MATERIAL NO. <b>SEE CHART</b>	DOCUMENT NO. <b>SD-171565-0005</b>	SHEET NO. <b>1 OF 3</b>																				

DRAFT WHERE APPLICABLE MUST REMAIN WITHIN DIMENSIONS

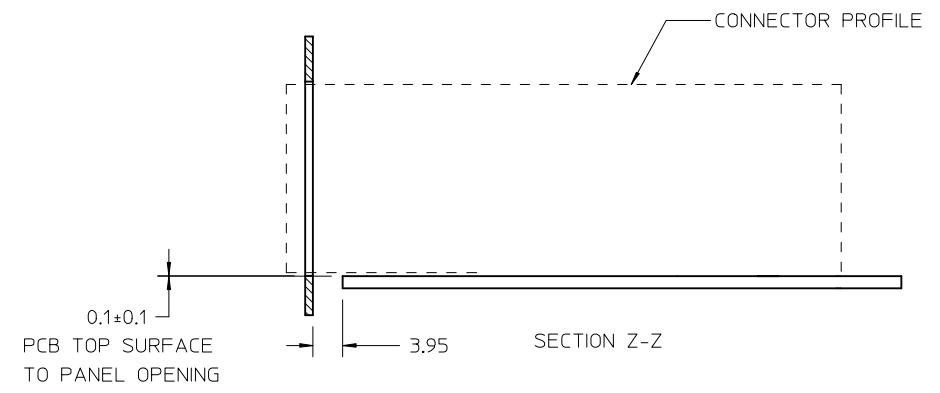
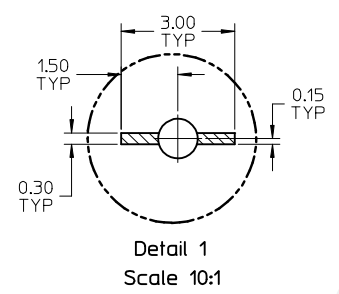
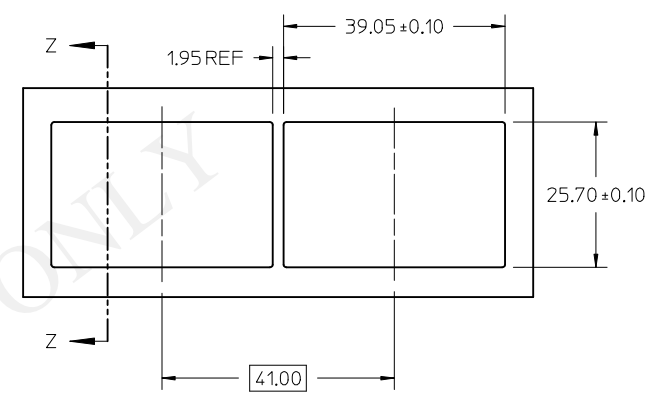
THIS DRAWING CONTAINS INFORMATION THAT IS PROPRIETARY TO MOLEX INCORPORATED AND SHOULD NOT BE USED WITHOUT WRITTEN PERMISSION



SEE SHEET 1 EC NO: UCP2015-2161 DRAWN: HAVERY 2014/11/21 CHKD: HAVERY APPR: HAVERY 2014/11/21	QUALITY SYMBOLS ▽=0 ▽=0 ▽=0	GENERAL TOLERANCES (UNLESS SPECIFIED)		DIMENSION STYLE MM ONLY		SCALE 2:1	DESIGN UNITS METRIC	THIRD ANGLE PROJECTION	
		4 PLACES ± --- ± ---	3 PLACES ± --- ± ---	2 PLACES ± 0.13 ± ---	1 PLACE ± 0.25 ± ---	0 PLACE ± --- ± ---	DRAWN BY DATE HAVERY 2014/11/04		TITLE ZQSFP 2X2 4 INTERNAL LIGHT PIPES WITH EMI SPRING FINGERS
DRAFT WHERE APPLICABLE MUST REMAIN WITHIN DIMENSIONS		ANGULAR ±1/2°		MATERIAL NO. SEE CHART		DOCUMENT NO. SD-171565-0005		SHEET NO. 2 OF 3	
THIS DRAWING CONTAINS INFORMATION THAT IS PROPRIETARY TO MOLEX INCORPORATED AND SHOULD NOT BE USED WITHOUT WRITTEN PERMISSION									

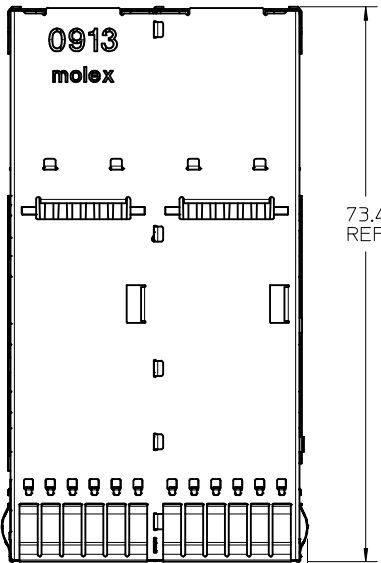
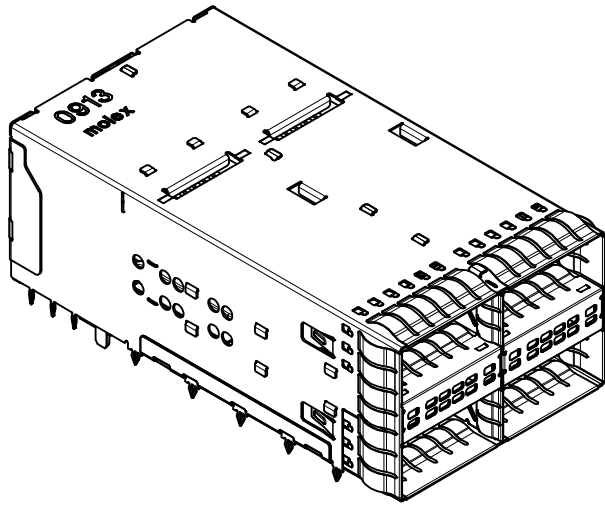


PANEL OPENING AND CONNECTOR SPACING RECOMMENDATIONS



- NOTES:
1. THE ENTIRE AREA UNDER THE CONNECTOR IS A COMPONENT KEEP-OUT ZONE.
  2. CROSS HATCHED AREAS INDICATE PLACES WHERE THE PLASTIC HOUSING AND METAL CAGE MAY BE IN CONTACT WITH THE PCB SURFACE. THESE AREAS ARE THE TRACE KEEP-OUT ZONES.
  3. THESE 2 RECTANGULAR ZONES ARE FOR LED PLACEMENT. LED HEIGHT SHOULD NOT EXCEED 0.8 AND PLACEMENT SHOULD BE CENTERED WITHIN THIS LED KEEP-IN ZONE.
  4. RECOMMENDED LED CHIP PACKAGE SIZE IS 0805.

SEE SHEET 1 EC NO: UCP2015-2161 DRW: HAVERY 2014/11/21 CHKD: APPR: HAVERY 2014/11/21	QUALITY SYMBOLS	GENERAL TOLERANCES (UNLESS SPECIFIED)	DIMENSION STYLE	SCALE	DESIGN UNITS	THIRD ANGLE PROJECTION
	▽=0	mm INCH	MM ONLY	2:1	METRIC	☉
	▽=0	4 PLACES ± --- ± ---	DRAWN BY DATE	TITLE		
	▽=0	3 PLACES ± --- ± ---	HAVERY 2014/11/04	ZQSFP 2X2 4 INTERNAL LIGHT PIPES WITH EMI SPRING FINGERS		
	2 PLACES ± 0.13 ± ---	CHECKED BY DATE	molex			
	1 PLACE ± 0.25 ± ---	APPROVED BY DATE	SD-171565-0005			
	0 PLACE ± --- ± ---	HAVERY 2014/11/05	3 OF 3			
	ANGULAR ± 1/2°	MATERIAL NO.	DOCUMENT NO.			
	DRAFT WHERE APPLICABLE MUST REMAIN WITHIN DIMENSIONS	SEE CHART	THIS DRAWING CONTAINS INFORMATION THAT IS PROPRIETARY TO MOLEX INCORPORATED AND SHOULD NOT BE USED WITHOUT WRITTEN PERMISSION			

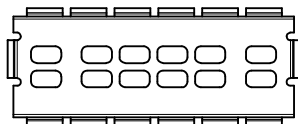


73.4  
REF

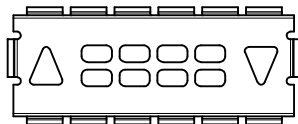
$1.1^{+0.5}_{-0.1}$  (2X)  
FROM CAGE BODY

$1.1^{+0.5}_{-0.1}$  (2X)  
FROM CAGE BODY

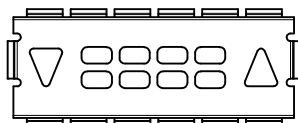
FRONT PLATE OPTIONS



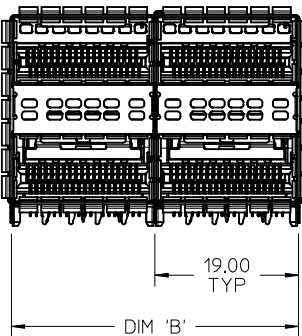
P/N 171722-\*001  
AIRFLOW ONLY  
NO LIGHTPIPE



P/N 171722-\*002  
UP/DOWN LIGHTPIPE INDICATOR



P/N 171722-\*003  
DOWN/UP LIGHTPIPE INDICATOR



DIM 'A'+0.20  
CAGE BODY

19.00  
TYP

DIM 'B'

24.90±0.20  
CAGE BODY

12.1  
REF

2.0  
CAGE COMPLIANT TAILS

2.5  
PEG LENGTH

1.2  
SIGNAL TAILS

PORT SIZE	PART NUMBER	DIM 'A'	DIM 'B'
2X1	171722-100*	19.25	19.00
2X2	171722-200*	38.25	38.00
2X3	171722-300*	57.25	57.00

\* - DESIGNATES FRONT PLATE OPTIONS

NOTES:

1. MATERIAL:

CAGE: NICKEL SILVER, 0.25 THICK  
EMI STRAPS: PHOS-BRONZE, 0.10 THICK  
LIGHT PIPES: POLYCARBONATE, 94V-0 (OPTIONAL)  
CONNECTOR HOUSING: HIGH PERFORMANCE THERMOPLASTIC, 94V-0  
TERMINALS: HIGH PERFORMANCE COPPER ALLOY, 0.18 THICK

2. FINISH:

SPRING FINGERS: 100µm NICKEL OVERALL  
TERMINALS: CONTACT AREA: 0.76µm MIN GOLD OVER  
2.5µm MIN NICKEL.  
COMPLIANT AREA: 0.76-1.52µm MATTE TIN  
OVER 1.27µm MIN NICKEL.

3. ALL SURFACES TO BE CLASS 'C' OR BETTER PER MOLEX COSMETIC SPECIFICATION PS-45499-002.

4. REFER TO PK-76871-9001 FOR ALL PACKAGING SPECIFICATIONS.

5. CONNECTOR INTENDED TO MATE WITH PLUG CABLE SERIES 74757 AND 74758.

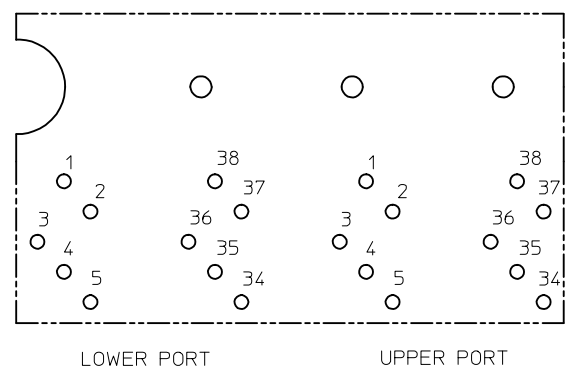
6. DATE CODE LOCATION SHOWN, DATE CODE FORMAT: DDD Y  
DDD = DAY OF THE YEAR, Y = YEAR.

REV	DESCRIPTION	QUALITY SYMBOLS
A	ADD SPRING HEIGHT EC NO: UCP2015-2796 DRWN:KACHLC 2015/10/01 CHKD: APPR:MBANAKIS 2015/10/02	▽=0 ▽=0 ▽=0

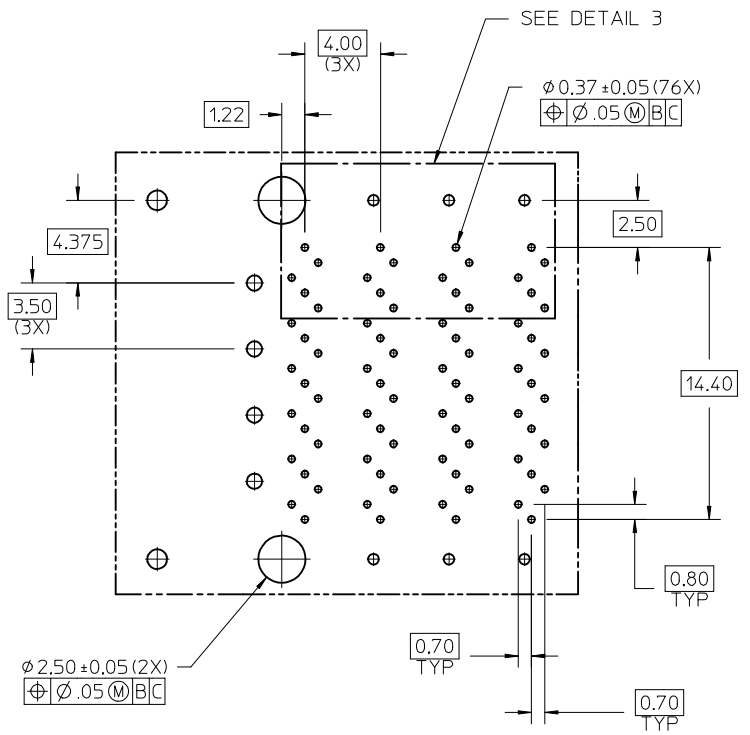
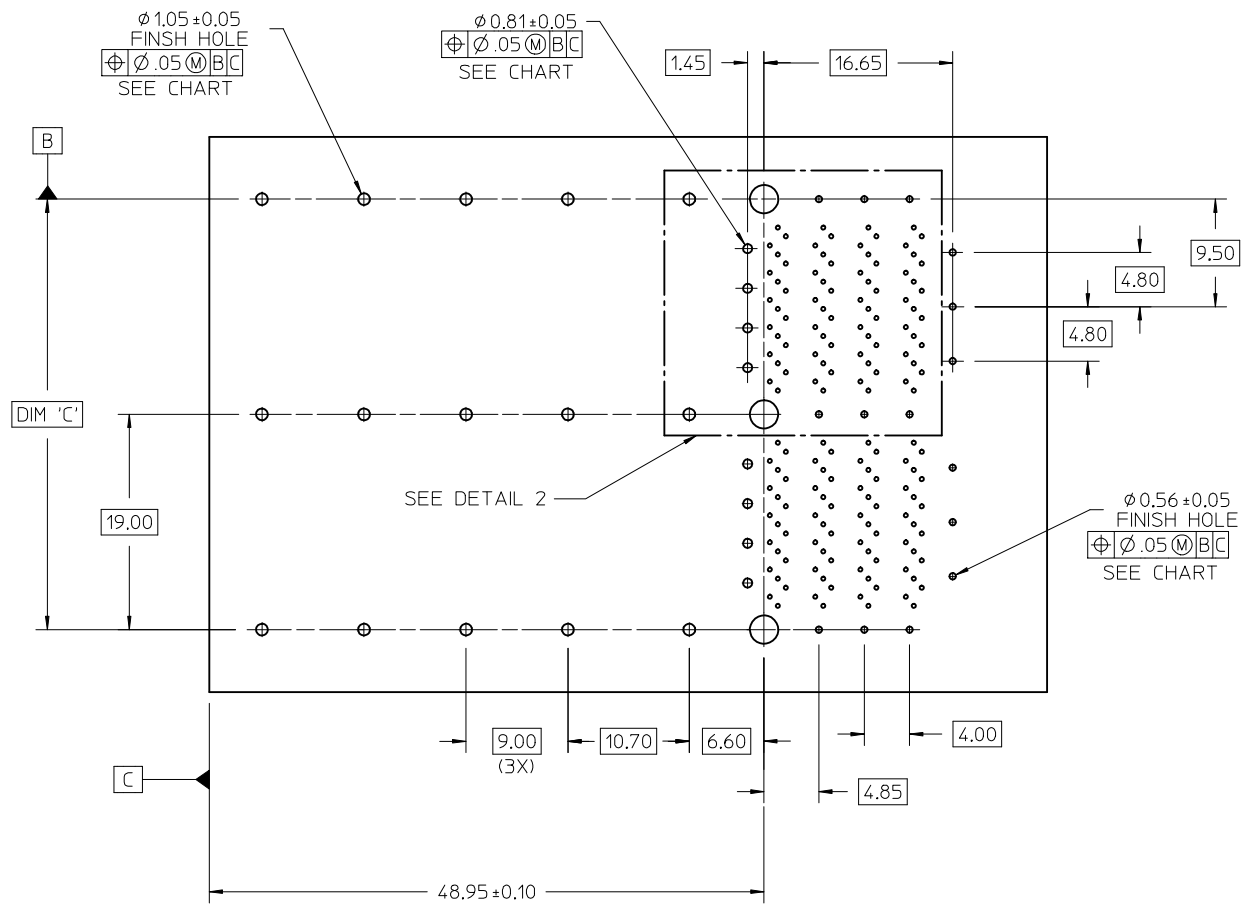
GENERAL TOLERANCES (UNLESS SPECIFIED)	
mm	INCH
4 PLACES ± ---	± ---
3 PLACES ± ---	± ---
2 PLACES ± 0.13	± ---
1 PLACE ± 0.25	± ---
0 PLACE ± ---	± ---
ANGULAR ±1/2°	
DRAFT WHERE APPLICABLE MUST REMAIN WITHIN DIMENSIONS	

DIMENSION STYLE MM ONLY	
DRAWN BY ARIZV101	DATE 2012/08/09
CHECKED BY	DATE
APPROVED BY MBANAKIS	DATE 2012/08/30
MATERIAL NO.	
SEE CHART	

SCALE 2:1	DESIGN UNITS METRIC	THIRD ANGLE PROJECTION
TITLE ZQSFP+ STACKED CONNECTOR WITH EMI SPRING FINGER		
<b>molex</b>		
DOCUMENT NO. SD-171722-2000	SHEET NO. 1 OF 3	
THIS DRAWING CONTAINS INFORMATION THAT IS PROPRIETARY TO MOLEX INCORPORATED AND SHOULD NOT BE USED WITHOUT WRITTEN PERMISSION		



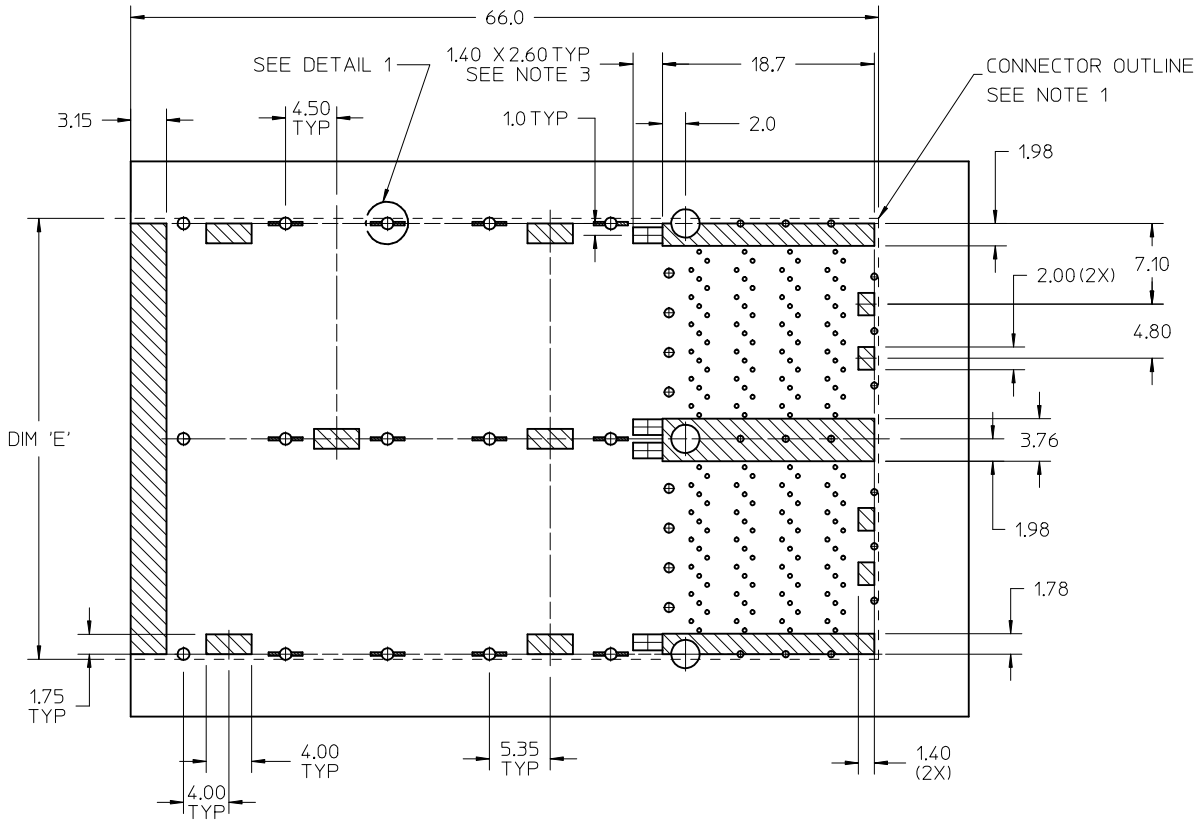
DETAIL 3  
PIN ASSIGNMENTS



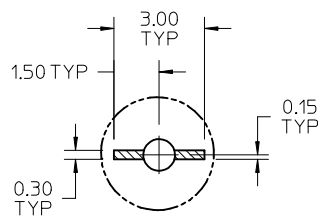
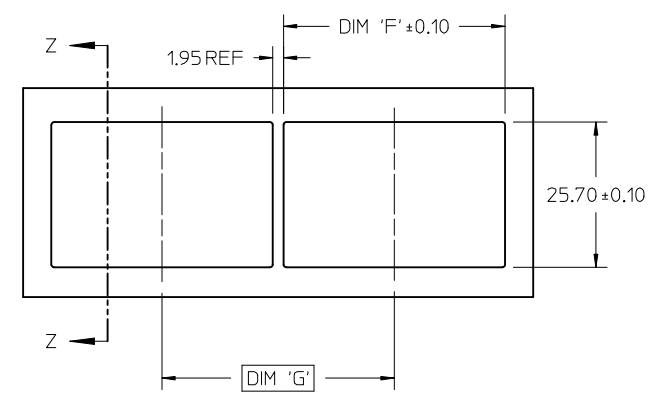
DETAIL 2  
SCALE 5:1

PORT SIZE	DIM 'C'	1.05 $\phi$ QUANTITY	0.56 $\phi$ QUANTITY	0.81 $\phi$ QUANTITY
2X1	19.00	10	9	4
2X2	38.00	15	15	8
2X3	57.00	20	21	12

SEE SHEET 1 EC NO: UCP2015-2796 DRWN: KACHLIC 2015/10/01 CHKD: MBANAKIS 2015/10/02 APPR: MBANAKIS	QUALITY SYMBOLS	GENERAL TOLERANCES (UNLESS SPECIFIED)	DIMENSION STYLE <b>MM ONLY</b>	SCALE <b>2:1</b>	DESIGN UNITS <b>METRIC</b>	THIRD ANGLE PROJECTION
	$\nabla = 0$	mm INCH	DRAWN BY DATE ARIZV101 2012/08/09	TITLE <b>ZQSFP+ STACKED CONNECTOR WITH EMI SPRING FINGER</b>		<b>SD-171722-2000</b> SHEET NO. 2 OF 3
	$\nabla = 0$	4 PLACES $\pm$ --- $\pm$ ---	CHECKED BY DATE	APPROVED BY DATE MBANAKIS 2012/08/30		
	$\nabla = 0$	2 PLACES $\pm 0.13$ $\pm$ ---	MATERIAL NO.	DOCUMENT NO.		
$\nabla = 0$	1 PLACE $\pm 0.25$ $\pm$ ---	SIZE C	THIS DRAWING CONTAINS INFORMATION THAT IS PROPRIETARY TO MOLEX INCORPORATED AND SHOULD NOT BE USED WITHOUT WRITTEN PERMISSION			
A	REV	ANGULAR $\pm 1/2^\circ$	SEE CHART			
DRAFT WHERE APPLICABLE MUST REMAIN WITHIN DIMENSIONS						

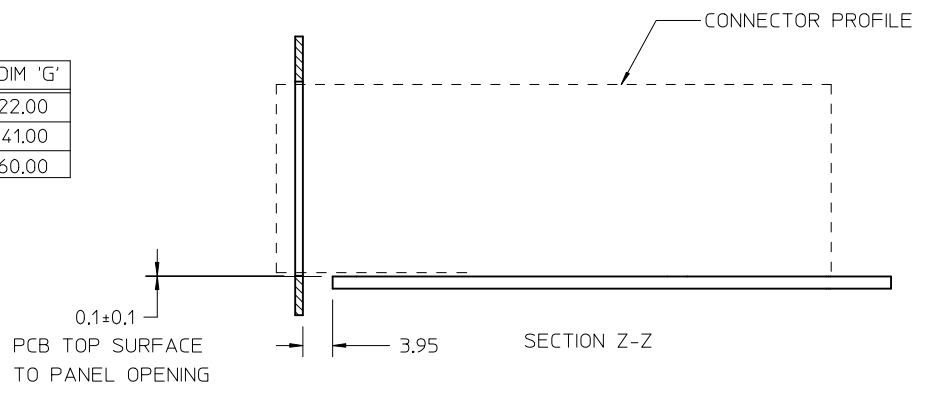


PANEL OPENING AND CONNECTOR SPACING RECOMMENDATIONS



DETAIL 1  
SCALE 8:1

PORT SIZE	DIM 'E'	DIM 'F'	DIM 'G'
2X1	19.9	20.05	22.00
2X2	38.9	39.05	41.00
2X3	57.9	58.05	60.00



- NOTES:
- THE ENTIRE AREA UNDER THE CONNECTOR IS A COMPONENT KEEP-OUT ZONE.
  - CROSS HATCHED AREAS INDICATE PLACES WHERE THE PLASTIC HOUSING AND METAL CAGE MAY BE IN CONTACT WITH THE PCB SURFACE. THESE AREAS ARE THE TRACE KEEP-OUT ZONES.
  - THESE 2 RECTANGULAR ZONES ARE FOR LED PLACEMENT. LED HEIGHT SHOULD NOT EXCEED 0.8 AND PLACEMENT SHOULD BE CENTERED WITHIN THIS LED KEEP-IN ZONE.
  - RECOMMENDED LED CHIP PACKAGE SIZE IS 0805.

<b>SEE SHEET 1</b> EC NO: UCP2015-2796 DRAWN: KACHLIC 2015/10/01 CHKD: APPR: MBANAKIS 2015/10/02	QUALITY SYMBOLS	GENERAL TOLERANCES (UNLESS SPECIFIED)	DIMENSION STYLE <b>MM ONLY</b>	SCALE <b>2:1</b>	DESIGN UNITS <b>METRIC</b>	THIRD ANGLE PROJECTION
	▽=0	mm INCH	DRAWN BY DATE ARIZV101 2012/08/09	TITLE <b>ZQSFP+ STACKED CONNECTOR WITH EMI SPRING FINGER</b>		
	▽=0	4 PLACES ± --- ± ---	CHECKED BY DATE	<b>molex</b> DOCUMENT NO. <b>SD-171722-2000</b> SHEET NO. <b>3 OF 3</b>		
	▽=0	3 PLACES ± --- ± ---	APPROVED BY DATE MBANAKIS 2012/08/30			
	2 PLACES ±0.13 ± ---	MATERIAL NO.		SIZE <b>C</b>		
	1 PLACE ±0.25 ± ---	DRAFT WHERE APPLICABLE MUST REMAIN WITHIN DIMENSIONS		THIS DRAWING CONTAINS INFORMATION THAT IS PROPRIETARY TO MOLEX INCORPORATED AND SHOULD NOT BE USED WITHOUT WRITTEN PERMISSION		
	0 PLACE ± --- ± ---	ANGULAR ±1/2°				