



Chipsmall Limited consists of a professional team with an average of over 10 year of expertise in the distribution of electronic components. Based in Hongkong, we have already established firm and mutual-benefit business relationships with customers from,Europe,America and south Asia,supplying obsolete and hard-to-find components to meet their specific needs.

With the principle of “Quality Parts,Customers Priority,Honest Operation,and Considerate Service”,our business mainly focus on the distribution of electronic components. Line cards we deal with include Microchip,ALPS,ROHM,Xilinx,Pulse,ON,Everlight and Freescale. Main products comprise IC,Modules,Potentiometer,IC Socket,Relay,Connector.Our parts cover such applications as commercial,industrial, and automotives areas.

We are looking forward to setting up business relationship with you and hope to provide you with the best service and solution. Let us make a better world for our industry!



## Contact us

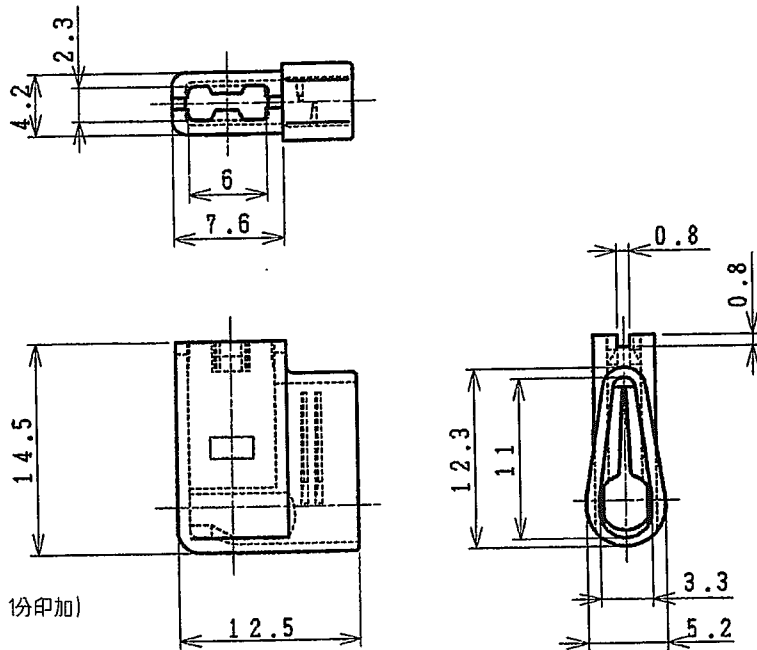
Tel: +86-755-8981 8866 Fax: +86-755-8427 6832

Email & Skype: info@chipsmall.com Web: www.chipsmall.com

Address: A1208, Overseas Decoration Building, #122 Zhenhua RD., Futian, Shenzhen, China



LOC	DIST	REVISIONS					
		P	LTR	DESCRIPTION	DATE	DWN	APVD
J	-	A		REVISED ECR-07-018856	9AUG2007	M.S	S.M



注記 ;

1. 本製品は射出成形品である
2. 一般公差 : ±0.3
3. 適用コンタクト型番 : 175019
4. 温度範囲 : TABLE 1 参照
5. 初期絶縁抵抗 : 5000MΩ以上 (DC500V 1分印加)
6. 初期耐電圧  
耐電圧 : AC2.5KV 1分印加  
破壊電圧 : AC3.3KV以上
7. スリーブの再使用は原則として禁止
8. 本製品に関する適用製品規格は用意していません。製品の使用に際しては、適用性について御確認の上決定下さい。

NOTES :

1. THIS PARTS ARE INJECTION MOLDING ITEM
2. GENERAL TOLERANCE : ± 0.3
3. APPLICABLE RECEPTACLE P/N : 175019
4. TEMPERATURE LIMIT : SEE TABLE 1
5. INITIAL INSULATION RESISTANCE : 5000MΩ MIN. (DC500V FOR 1MINUTE)
6. INITIAL DIELECTRIC WITHSTAND VOLTAGE  
DIELECTRIC WITHSTAND VOLTAGE : AC2.5KV FOR 1MINUTE.  
PUNCTURE VOLTAGE : AC3.3KV MIN.
7. AS A RULE, REUSABILITY IS NOT ACCEPTABLE
8. THIS PRODUCT IS NOT PREPARED THE PRODUCT SPECIFICATION. THEREFORE, PLEASE USE THIS PRODUCT AFTER CONSIDERING THE APPLICABILITY OF THIS PRODUCT.

TABLE 1

温度範囲 TEMPERATURE LIMIT	P/N 1717269-1	P/N 1717269-2
使用温度範囲 OPERATING TEMPERATURE LIMIT	-40℃~60℃	-40℃~60℃
保管温度範囲 STORAGE TEMPERATURE LIMIT	-40℃~50℃	-40℃~50℃
作業温度範囲 WORKING TEMPERATURE LIMIT	50℃~50℃	50℃~50℃

黄 YELLOW	PVC(軟質) PVC(SOFT) UL94V-0	1717269-2
青 BLUE	PVC(軟質) PVC(SOFT) UL94V-2	1717269-1
色 COLOR	材料 MATERIAL	型番 P/N

THIS DRAWING IS UNPUBLISHED.

ALL RIGHTS RESERVED.

COPYRIGHT BY TYCO ELECTRONICS CORPORATION.

THIS DRAWING IS UNPUBLISHED.

DIMENSIONS: 単位: 珪 MM  TOLERANCES UNLESS OTHERWISE SPECIFIED: 一般公差  	DWN T.HATANO 06MAY2003	MATERIAL 材料 SEE TABLE	FINISH 仕上			
	CHK N.YAMASAKI 06MAY2003	Tyco Electronics AMP K.K. Kawasaki, Japan				
	APVD M.SHINDO 06MAY2003					
	PRODUCT SPEC 製品規格	NAME 名称 INSULATION SLEEVE INJECTION TYPE FOR 187 SERIES FLAG POSITIVE LOCK EX REC.				
APPLICATION SPEC 取付適用規格	SIZE A4	CAGE CODE 00779	DRAWING NO 番号 C-1717269	RESTRICTED TO		
WEIGHT	CUSTOMER DRAWING			SCALE 尺度 2:1	SHEET 1 OF 1	REV A