



Chipsmall Limited consists of a professional team with an average of over 10 year of expertise in the distribution of electronic components. Based in Hongkong, we have already established firm and mutual-benefit business relationships with customers from,Europe,America and south Asia,supplying obsolete and hard-to-find components to meet their specific needs.

With the principle of “Quality Parts,Customers Priority,Honest Operation,and Considerate Service”,our business mainly focus on the distribution of electronic components. Line cards we deal with include Microchip,ALPS,ROHM,Xilinx,Pulse,ON,Everlight and Freescale. Main products comprise IC,Modules,Potentiometer,IC Socket,Relay,Connector.Our parts cover such applications as commercial,industrial, and automotives areas.

We are looking forward to setting up business relationship with you and hope to provide you with the best service and solution. Let us make a better world for our industry!



Contact us

Tel: +86-755-8981 8866 Fax: +86-755-8427 6832

Email & Skype: info@chipsmall.com Web: www.chipsmall.com

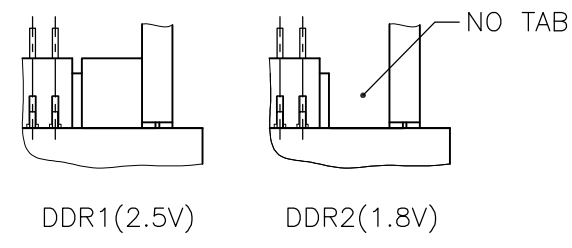
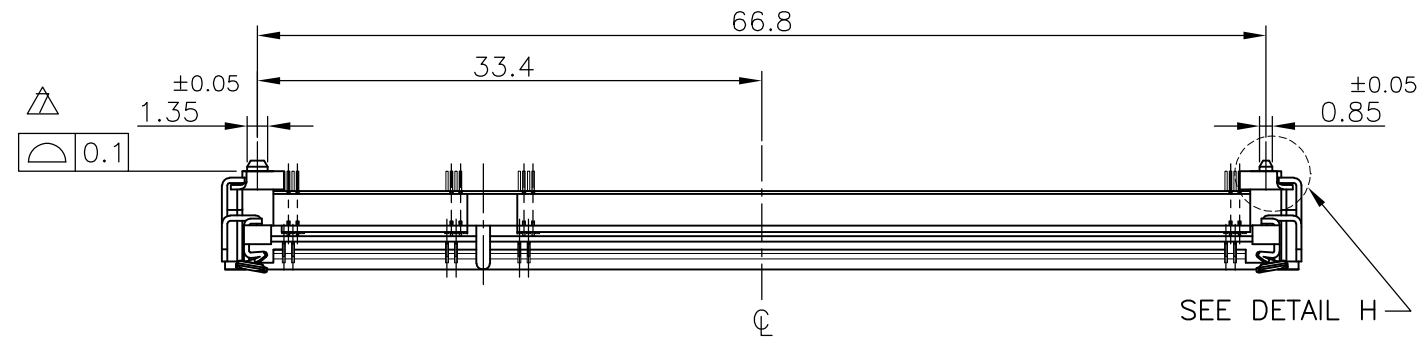
Address: A1208, Overseas Decoration Building, #122 Zhenhua RD., Futian, Shenzhen, China



THIS DRAWING IS UNPUBLISHED. RELEASED FOR PUBLICATION AUG, 2003.

© COPYRIGHT 2003 BY TYCO ELECTRONICS CORPORATION. ALL RIGHTS RESERVED.

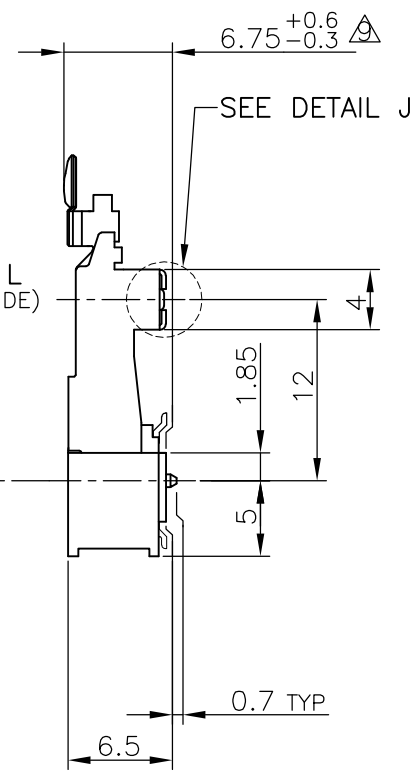
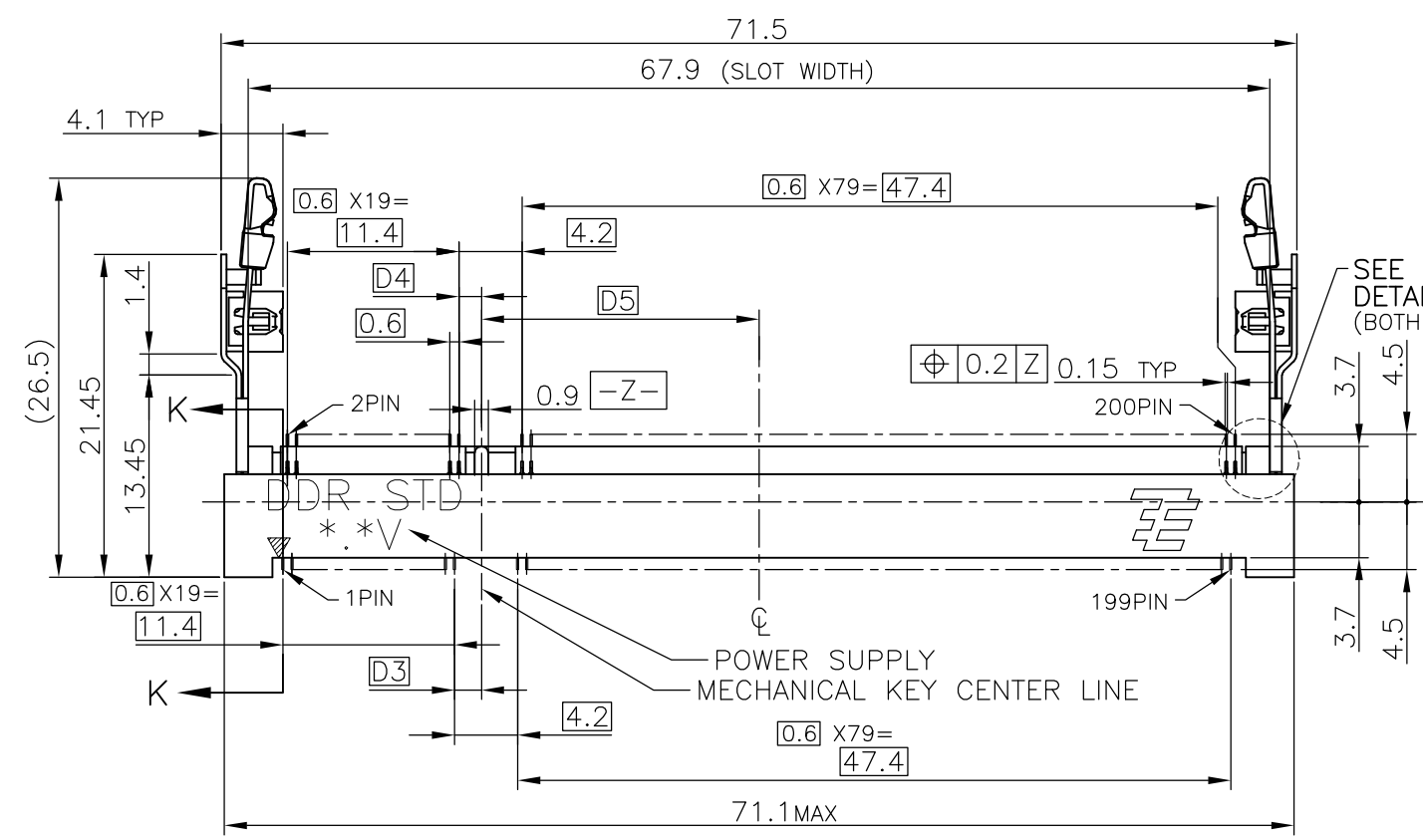
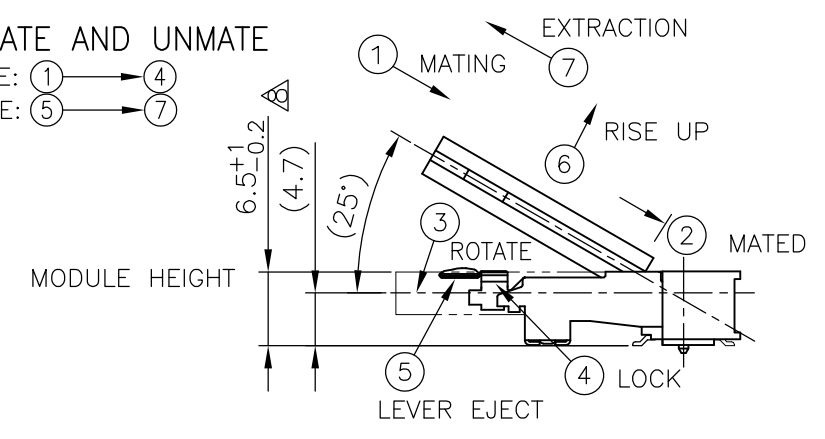
LOC		DIST		REVISIONS					
J				P	LTR	DESCRIPTION	DATE	DWN	APVD
				D1		ECR-10-014684	22JUL10	B.W	S.Y



DETAIL L (SCALE 5:1)

HOW TO MATE AND UNMATE

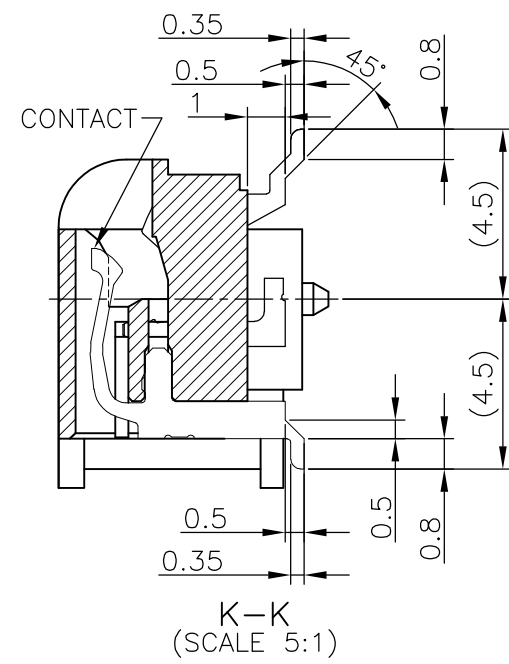
- MATE: ① → ④
- UNMATE: ⑤ → ⑦



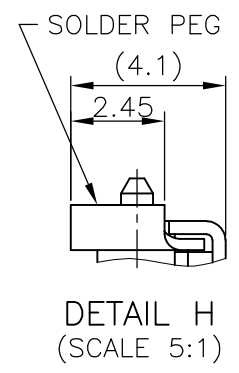
SEE DETAIL J

(APPLIED TO SHEET 1-2)

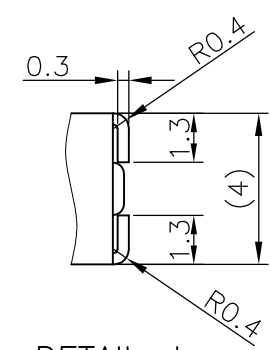
- MATERIAL ; HOUSING: HIGH TEMPERATURE THERMO PLASTIC UL94V-0
CONTACT: COPPER ARROY
LOCK LEVER: STAINLESS STEEL
SOLDER PEG: COPPER ARROY
 - FINISH ; CONTACT AREA: GOLD FLASH ON 0.0013MIN ALL OVER NICKEL.
SOLDERING AREA: GOLD FLASH PLT.
SOLDER PEG: TIN PLATING.
- ⊕ MECHANICAL KEY POSITION OF CONNECTOR SEE TABLE.
 - ⊕ TOLERANCES NON-CUMULATIVE.
 - ⊕ NOT TO SCALE.
 - ⊕ [] INSIDE MUST BE RESIST COAT EXCEPT SOLDER PATTERN.
 - ⊕ COPLANARITY : 0.1 MAX.
 - ⊕ THE FLOATING VALUE BY SOLDERING IS NOT INCLUDED.
 - ⊕ NOT MATING CONDITION.
- 10 IF THE MODULE DOESN'T INSERT AND LOCK IN THE LATCH SMOOTHLY, OPEN WIDE BOTH LATCHES BY MANUAL. AND THE MODULE MUST BE INSERTED AND LOCKED IN THE LATCH.



K-K (SCALE 5:1)



DETAIL H (SCALE 5:1)



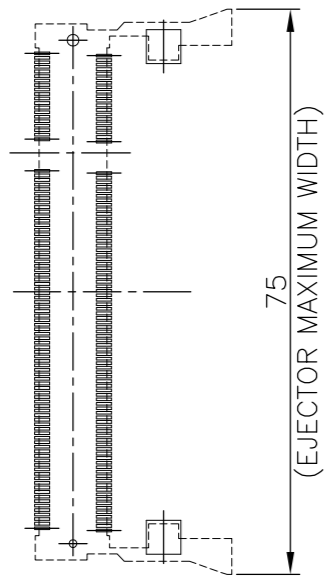
DETAIL J (SCALE 5:1)

GENERAL TOLERANCE
 10 ≥ : ±0.2
 30 ≥ > 10: ±0.25
 100 ≥ > 30: ±0.3
 ANGLES: ±3°

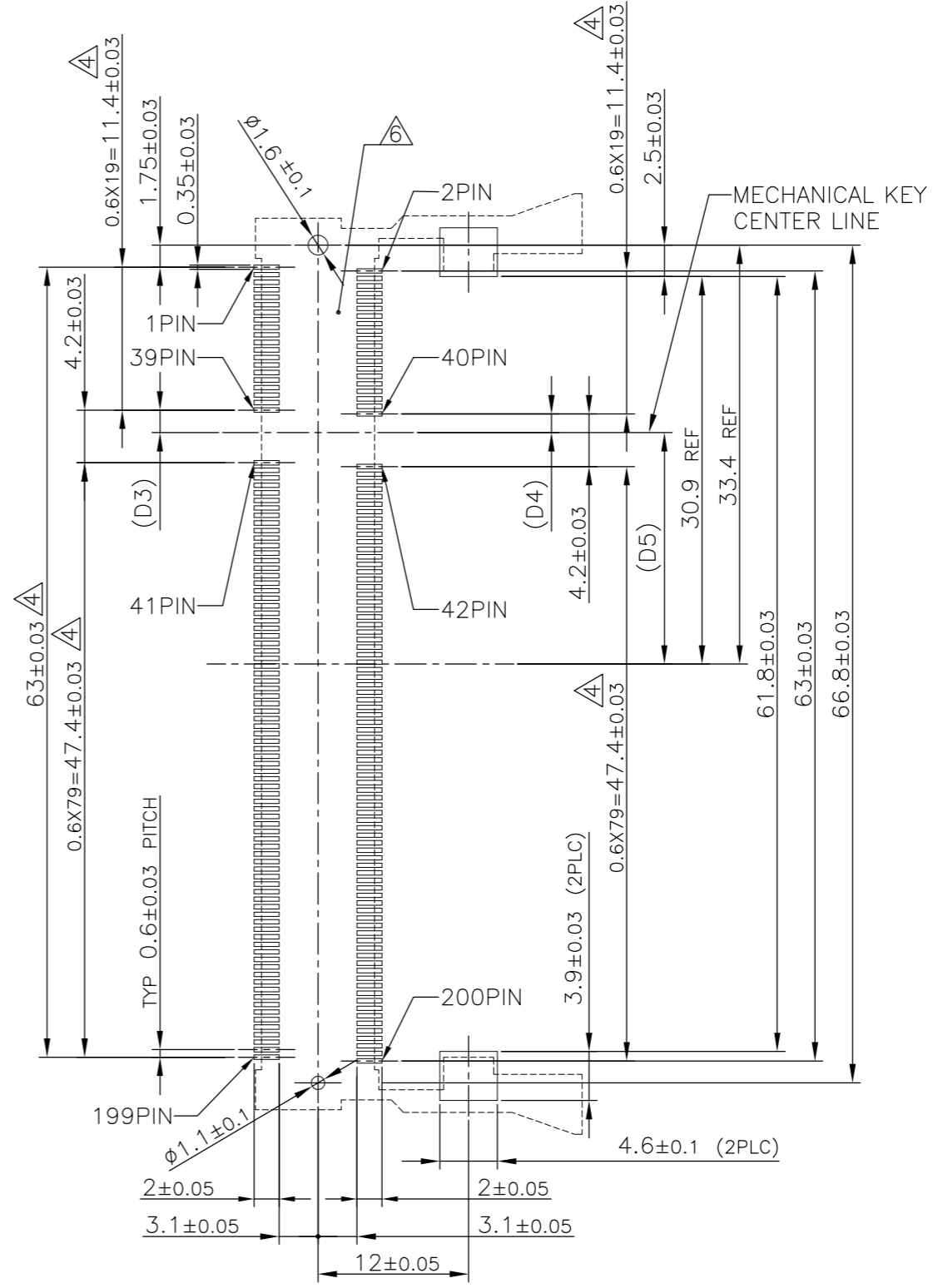
AVAILABLE	—H—	1.8V (DDR2)	17.55	2.4	2.7	200	1717468-4
AVAILABLE	—H—	2.5V (DDR1)	18.45	1.5	1.8	200	1717468-3
TOOLING STATUS	REMARKE	POWE SUPPLY (TYPE)	D5	D4	D3	POS	PART NO.
THIS DRAWING IS A CONTROLLED DOCUMENT.		DWN T.FUMIKURA 22AUG03	Tyco Electronics AMP K.K. Kawasaki, Japan				
DIMENSIONS: MM		CHK T.KUSUHARA 22AUG03					
TOLERANCES UNLESS OTHERWISE SPECIFIED:		APVD H.MURAMATSU 22AUG03					
0 PLC ± 1 PLC ± 2 PLC ± 3 PLC ± 4 PLC ± ANGLES ± MATERIAL FINISH		NAME					
PRODUCT SPEC		DDR1 & DDR2 SODIMM SOCKET					
APPLICATION SPEC		0.6mm PITCH 200POS					
WEIGHT		6.5 HEIGHT STANDARD TYPE					
CUSTOMER DRAWING		108-5701	SIZE	CAGE CODE	DRAWING NO	RESTRICTED TO	
		5.2g	A3	00779	C-1717468		
		SCALE	SHEET	OF	REV		
		2:1	1	4	D1		

LOC	DIST	REVISIONS					
J		P	LTR	DESCRIPTION	DATE	DWN	APVD
		-		SEE SHEET 1	-	-	-

REFERENCE P.C.BOARD PATTERN LAYOUT (CONNECTOR MOUNTING SIDE)



REAL SIZE (SCALE 1:1)

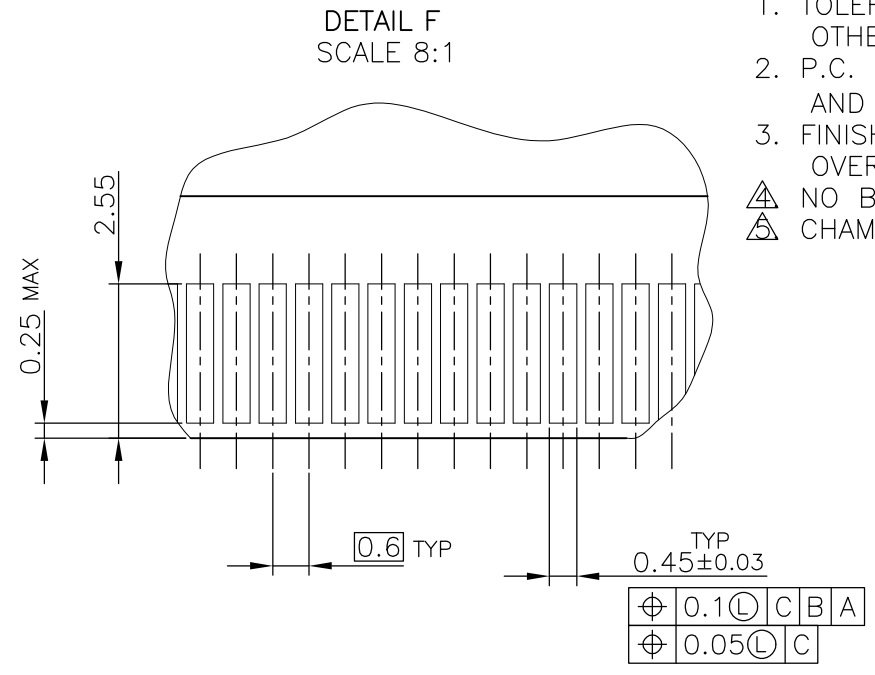
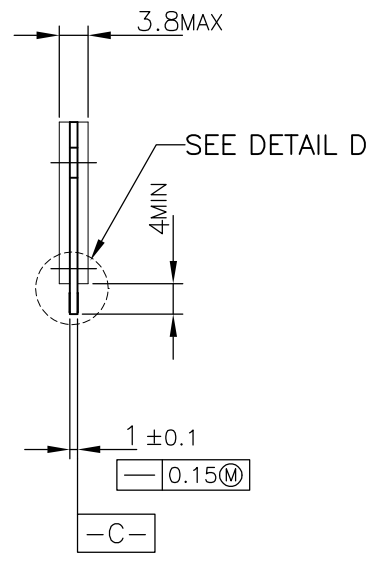
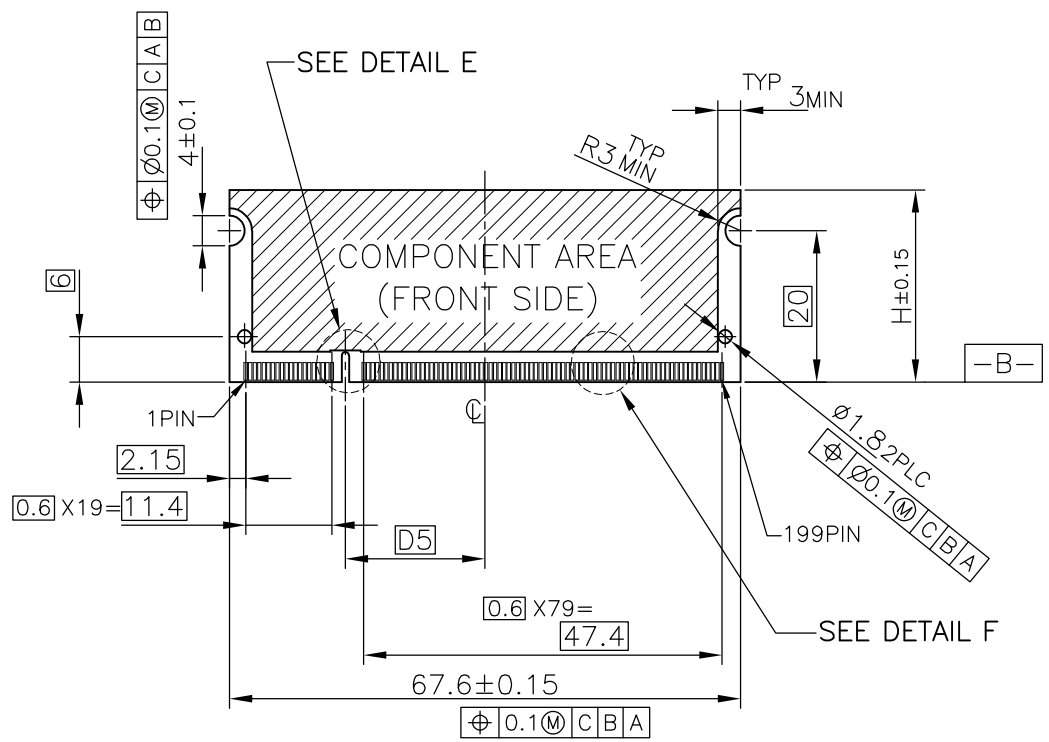


1.8V	17.55	2.4	2.7
2.5V	18.45	1.5	1.8
POWER SUPPLY	D5	D4	D3

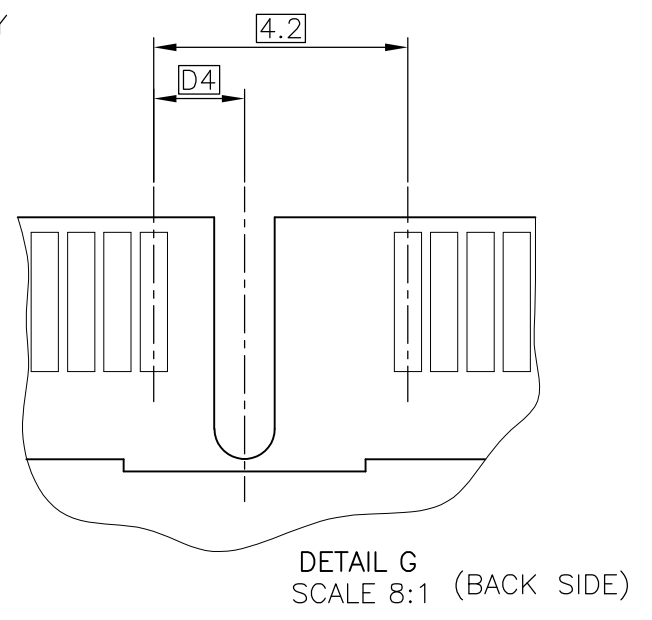
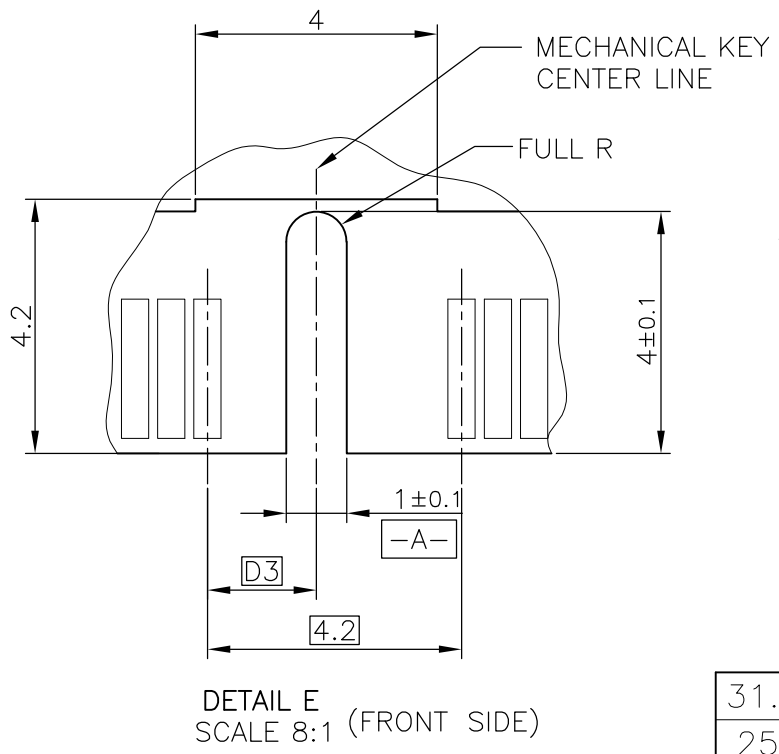
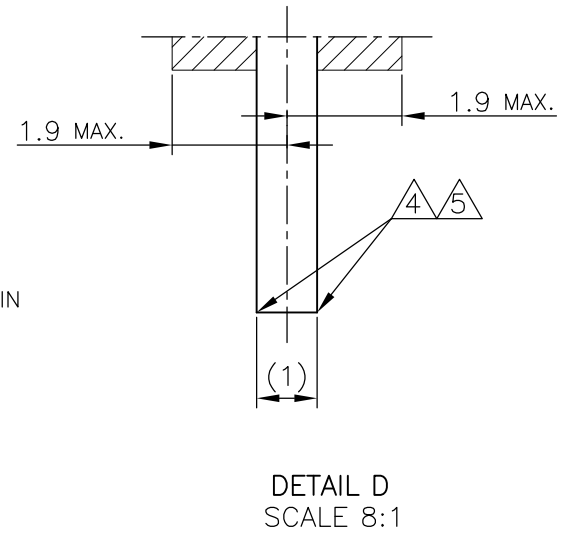
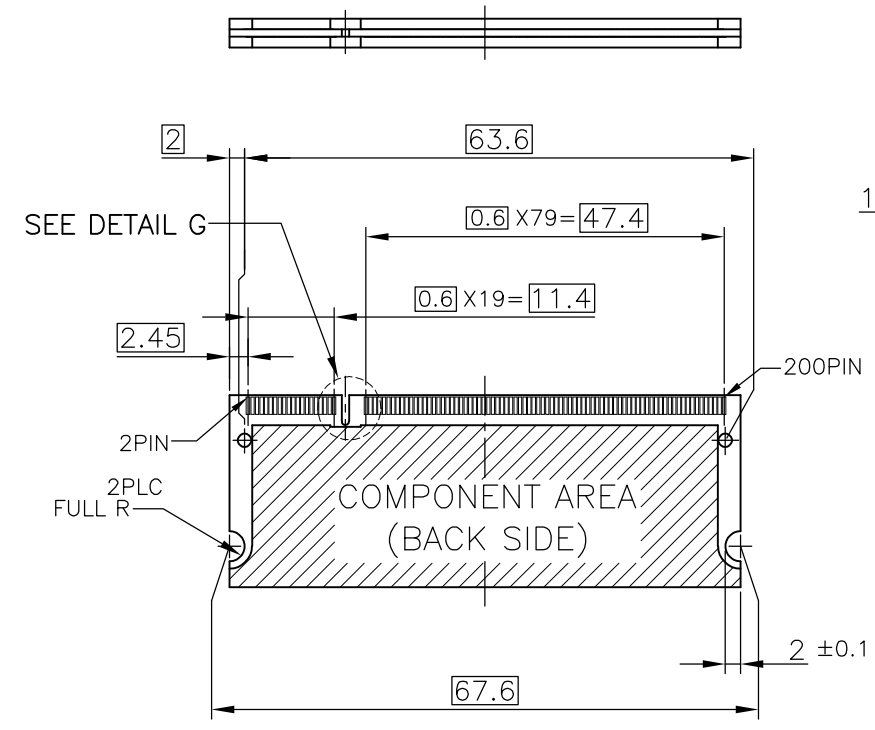
THIS DRAWING IS A CONTROLLED DOCUMENT.		DWN	Tyco Electronics		Tyco Electronics AMP K.K.	
DIMENSIONS: MM		CHK	Kawasaki, Japan		NAME	
TOLERANCES UNLESS OTHERWISE SPECIFIED:		APVD	DDR1 & DDR2 SODIMM SOCKET		0.6mm PITCH 200POS	
0 PLC ±		PRODUCT SPEC	6.5 HEIGHT STANDARD TYPE		RESTRICTED TO	
1 PLC ±		APPLICATION SPEC	SIZE	CAGE CODE	DRAWING NO	
2 PLC ±		WEIGHT	A3	00779	C-1717468	
3 PLC ±		CUSTOMER DRAWING	SCALE 2:1		SHEET 2 OF 4	REV D1
4 PLC ±						
ANGLES ±						
FINISH						

THIS DRAWING IS UNPUBLISHED. RELEASED FOR PUBLICATION AUG. 2003.
 © COPYRIGHT 2003 BY TYCO ELECTRONICS CORPORATION. ALL RIGHTS RESERVED.

LOC	DIST	REVISIONS			
P	LTR	DESCRIPTION	DATE	DWN	APVD
J		SEE SHEET 1	-	-	-



- (APPLIED TO SHEET 3)
1. TOLERANCES ON ALL DIMENSIONS ±0.15 UNLESS OTHERWISE SPECIFIED.
 2. P.C. BOARD THICKNESS APPLIES ACROSS TABS AND INCLUDES PLATING AND/OR METALIZATION.
 3. FINISH OF PAD : GOLD PLATING 0.00076 MIN. OVER Ni PLATING 0.002MIN.
- △ NO BURR
 △ CHAMFER 0.25 MAX x 45° IF EXIST.



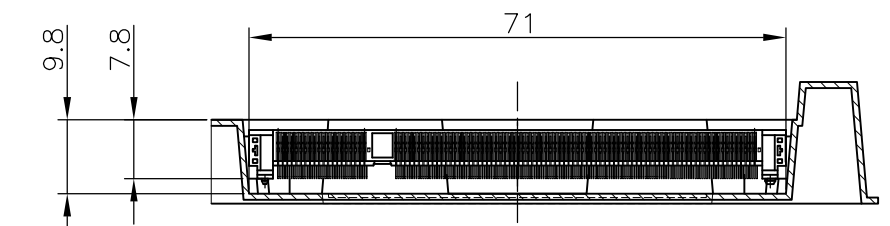
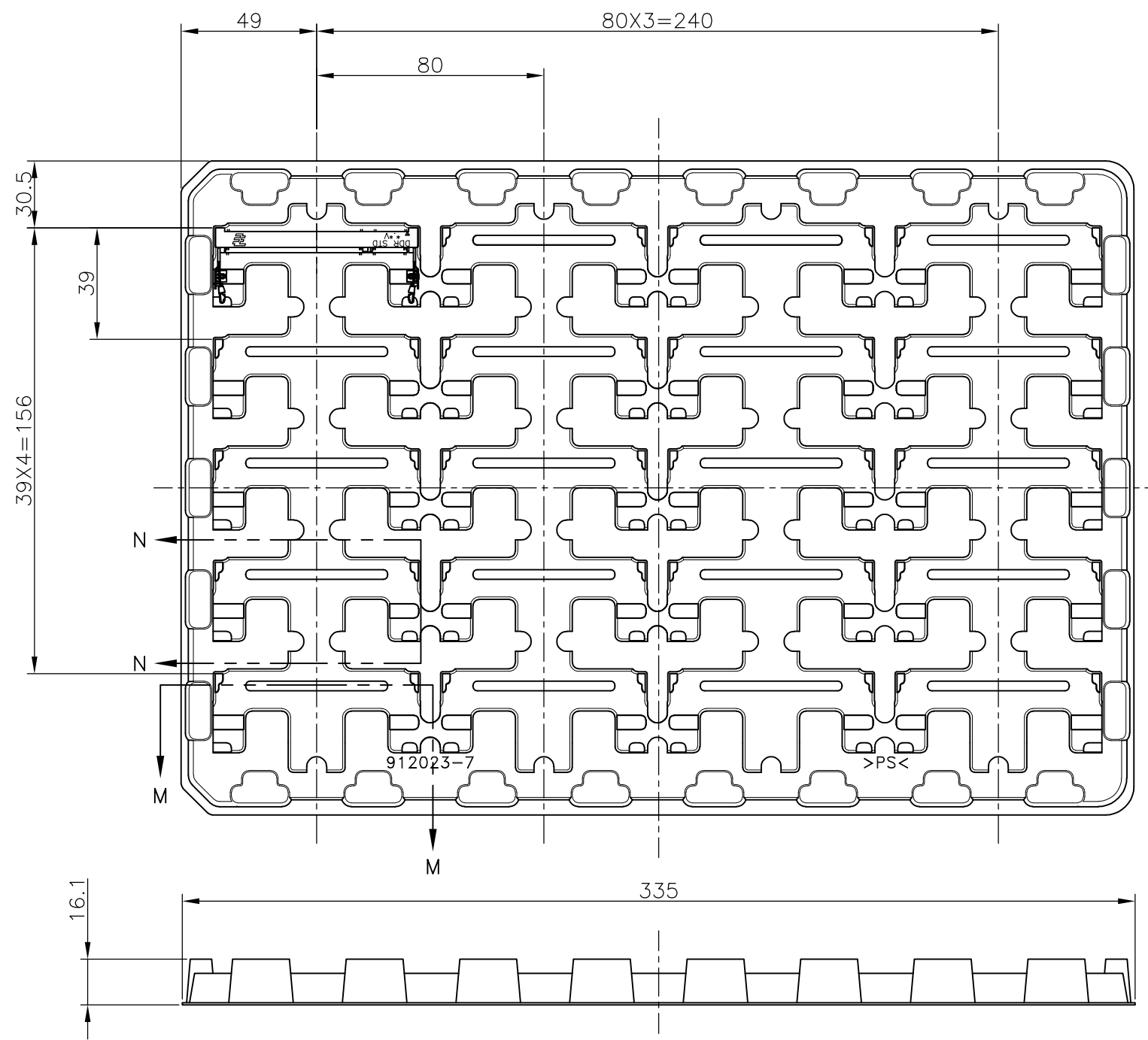
推奨基板仕様
 RECOMMENDED MATING P.C.B CONFIGURATION

31.75	1.8V	17.55	2.4	2.7
25.4	2.5V	18.45	1.5	1.8
H	POWER SUPPLY	D5	D4	D3

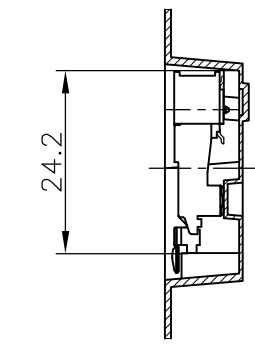
THIS DRAWING IS A CONTROLLED DOCUMENT.		DWN	Tyco Electronics Tyco Electronics AMP K.K. Kawasaki, Japan			
DIMENSIONS: MM		CHK				
		APVD				
TOLERANCES UNLESS OTHERWISE SPECIFIED: 0 PLC ± 1 PLC ± 2 PLC ± 3 PLC ± 4 PLC ± ANGLES ± FINISH ±		NAME				
MATERIAL		PRODUCT SPEC	DDR1 & DDR2 SODIMM SOCKET 0.6mm PITCH 200POS 6.5 HEIGHT STANDARD TYPE			
		APPLICATION SPEC	SIZE	CAGE CODE	DRAWING NO	RESTRICTED TO
		WEIGHT	A3	00779	C-1717468	
		CUSTOMER DRAWING	SCALE	SHEET	OF	REV
			2:1	3	4	D1

THIS DRAWING IS UNPUBLISHED. RELEASED FOR PUBLICATION AUG ,2003.
 © COPYRIGHT 2003 BY TYCO ELECTRONICS CORPORATION. ALL RIGHTS RESERVED.

LOC	DIST	REVISIONS			
P	LTR	DESCRIPTION	DATE	DWN	APVD
J		SEE SHEET 1	-	-	-



M-M
SCALE 1:1
(180DEG. ROTATE)



N-N
SCALE 1:1

1. THE DIRECTION OF EACH CONNECTOR ON A TRAY IS REFERRED TO THIS DRAWING.
2. GENERAL TOLERANCE: ±0.5

20EA/TRAY	1717468-4
20EA/TRAY	1717468-3
QTY	P/N

THIS DRAWING IS A CONTROLLED DOCUMENT.		DWN		Tyco Electronics AMP K.K. Kawasaki, Japan	
DIMENSIONS: MM		CHK			
TOLERANCES UNLESS OTHERWISE SPECIFIED: 0 PLC ± 1 PLC ± 2 PLC ± 3 PLC ± 4 PLC ± ANGLES ± FINISH ±		APVD		NAME	
MATERIAL		PRODUCT SPEC		DDR1 & DDR2 SODIMM SOCKET	
		APPLICATION SPEC		0.6mm PITCH 200POS	
		WEIGHT		6.5 HEIGHT STANDARD TYPE	
		SIZE	CAGE CODE	DRAWING NO	RESTRICTED TO
		A3	00779	C-1717468	
CUSTOMER DRAWING			SCALE	SHEET	REV
			1:2	4 OF 4	D1