



Chipsmall Limited consists of a professional team with an average of over 10 year of expertise in the distribution of electronic components. Based in Hongkong, we have already established firm and mutual-benefit business relationships with customers from,Europe,America and south Asia,supplying obsolete and hard-to-find components to meet their specific needs.

With the principle of “Quality Parts,Customers Priority,Honest Operation,and Considerate Service”,our business mainly focus on the distribution of electronic components. Line cards we deal with include Microchip,ALPS,ROHM,Xilinx,Pulse,ON,Everlight and Freescale. Main products comprise IC,Modules,Potentiometer,IC Socket,Relay,Connector.Our parts cover such applications as commercial,industrial, and automotives areas.

We are looking forward to setting up business relationship with you and hope to provide you with the best service and solution. Let us make a better world for our industry!



Contact us

Tel: +86-755-8981 8866 Fax: +86-755-8427 6832

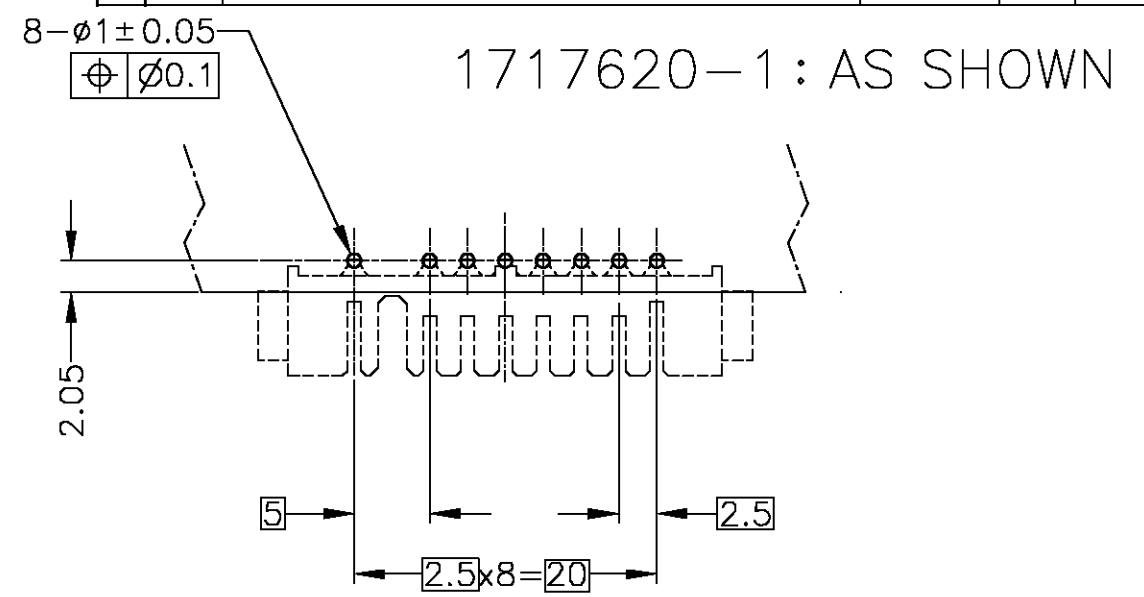
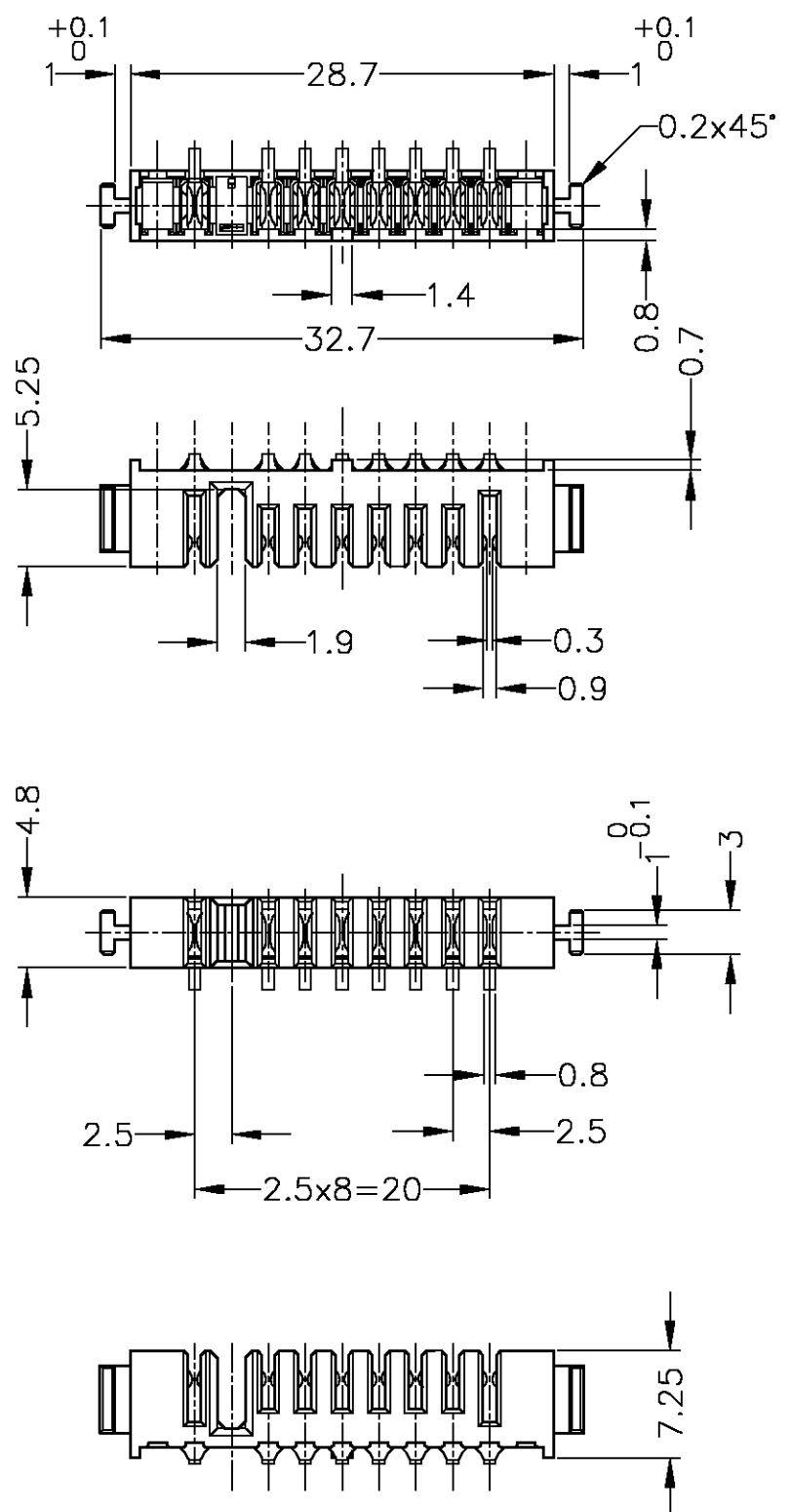
Email & Skype: info@chipsmall.com Web: www.chipsmall.com

Address: A1208, Overseas Decoration Building, #122 Zhenhua RD., Futian, Shenzhen, China

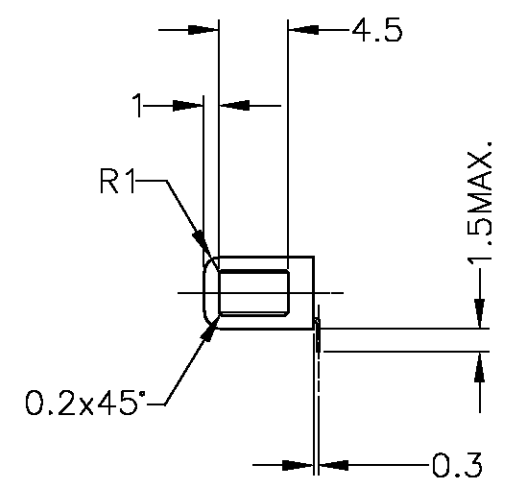


THIS DRAWING IS UNPUBLISHED. RELEASED FOR PUBLICATION 2002.
 © COPYRIGHT 2002 BY TYCO ELECTRONICS CORPORATION. ALL RIGHTS RESERVED.

LOC	DIST	REVISIONS			DATE	DWN	APVD
		P	LTR	DESCRIPTION			
J		A	REVISED	FJBO-0243-04	11MAR04	T.K	K.I



基板取付参考寸法
 REFERENCE P.C. BOARD LAYOUT
 P.C. BOARD THK 0.8~1.2
 (VIEW FROM CONNECTOR MOUNTING SIDE)



- △ 材料
 - ・ハウジング：熱可塑性樹脂、UL94V-0、黒
 - ・コンタクト：銅合金
- △ 仕上げ
 - ・コンタクト：ニッケル下地めっき
 - 接触部 金めっき
 - 半田付け部 無光沢錫めっき
- △ MATERIAL
 - ・ HOUSING: THERMOPLASTIC RESIN, UL94V-0, BLACK
 - ・ CONTACT: COPPER ALLOY
- △ FINISH
 - ・ CONTACT: Ni ALL OVER UNDER PL.
 - GOLD PL. AT CONTACT AREA
 - TIN PL. (MATTE) AT LEAD AREA

鉛フリー
 LEAD FREE

THIS DRAWING IS A CONTROLLED DOCUMENT.		DWN T.KATANO 16FEB04	WIRE RANGE 抱合電線断面積		INSULATION DIA 被覆外径	
DIMENSIONS: 単位： 耗 MM		CHK T.KIMURA 16FEB04	Tyco Electronics AMP K.K. Kawasaki, Japan		NAME 名称 2.5mm PITCH BATTERY CONNECTOR R/A RECEPTACLE ASSEMBLY 8POS.	
TOLERANCES UNLESS OTHERWISE SPECIFIED: 一般公差		APVD K.IKEGAMI 16FEB04	PRODUCT SPEC 製品規格		DRAWING NO 番号 A3 00779 C-1717620	
0 PLC ± 0.3		APPLICATION SPEC 取付適用規格		RESTRICTED TO		
1 PLC ± 0.3		WEIGHT		SCALE 尺度 2:1		
2 PLC ± 0.3		CUSTOMER DRAWING		SHEET 1 OF 1		
3 PLC ± 0.3				REV A		
4 PLC ± 0.3						
ANGLES ± 3'						
FINISH 仕上						
MATERIAL 材料						