



Chipsmall Limited consists of a professional team with an average of over 10 year of expertise in the distribution of electronic components. Based in Hongkong, we have already established firm and mutual-benefit business relationships with customers from,Europe,America and south Asia,supplying obsolete and hard-to-find components to meet their specific needs.

With the principle of “Quality Parts,Customers Priority,Honest Operation,and Considerate Service”,our business mainly focus on the distribution of electronic components. Line cards we deal with include Microchip,ALPS,ROHM,Xilinx,Pulse,ON,Everlight and Freescale. Main products comprise IC,Modules,Potentiometer,IC Socket,Relay,Connector.Our parts cover such applications as commercial,industrial, and automotives areas.

We are looking forward to setting up business relationship with you and hope to provide you with the best service and solution. Let us make a better world for our industry!



Contact us

Tel: +86-755-8981 8866 Fax: +86-755-8427 6832

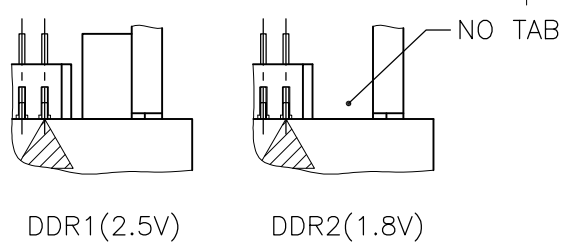
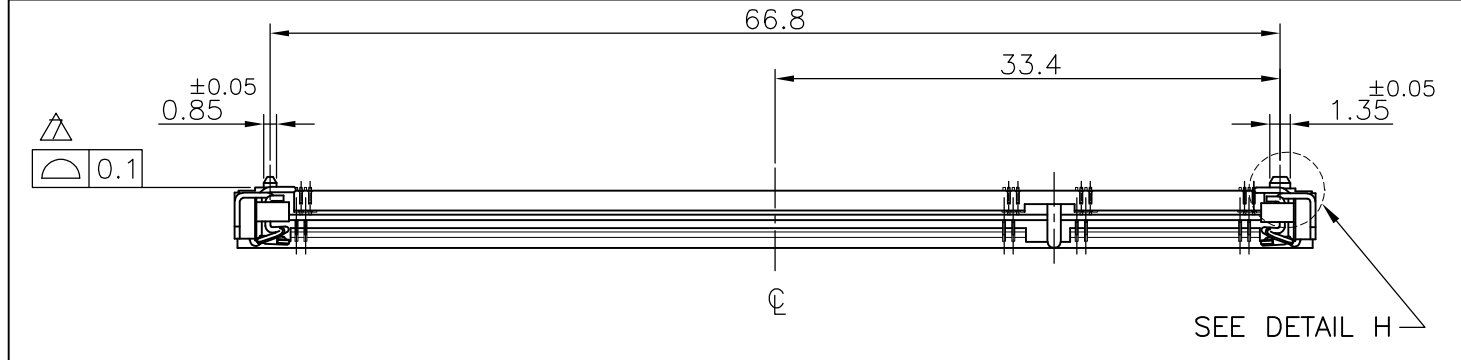
Email & Skype: info@chipsmall.com Web: www.chipsmall.com

Address: A1208, Overseas Decoration Building, #122 Zhenhua RD., Futian, Shenzhen, China



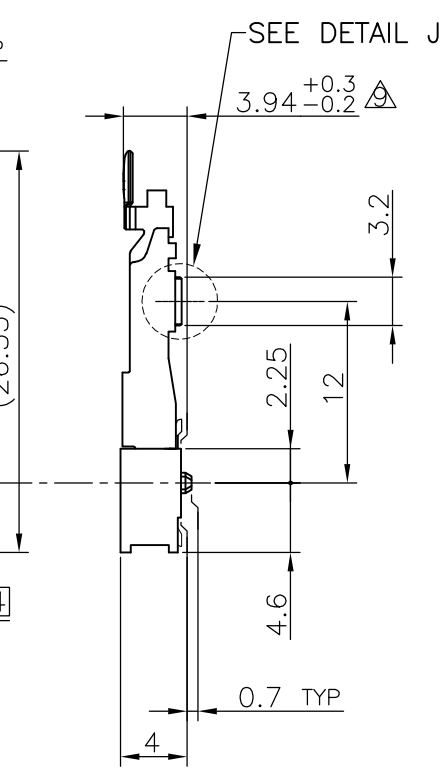
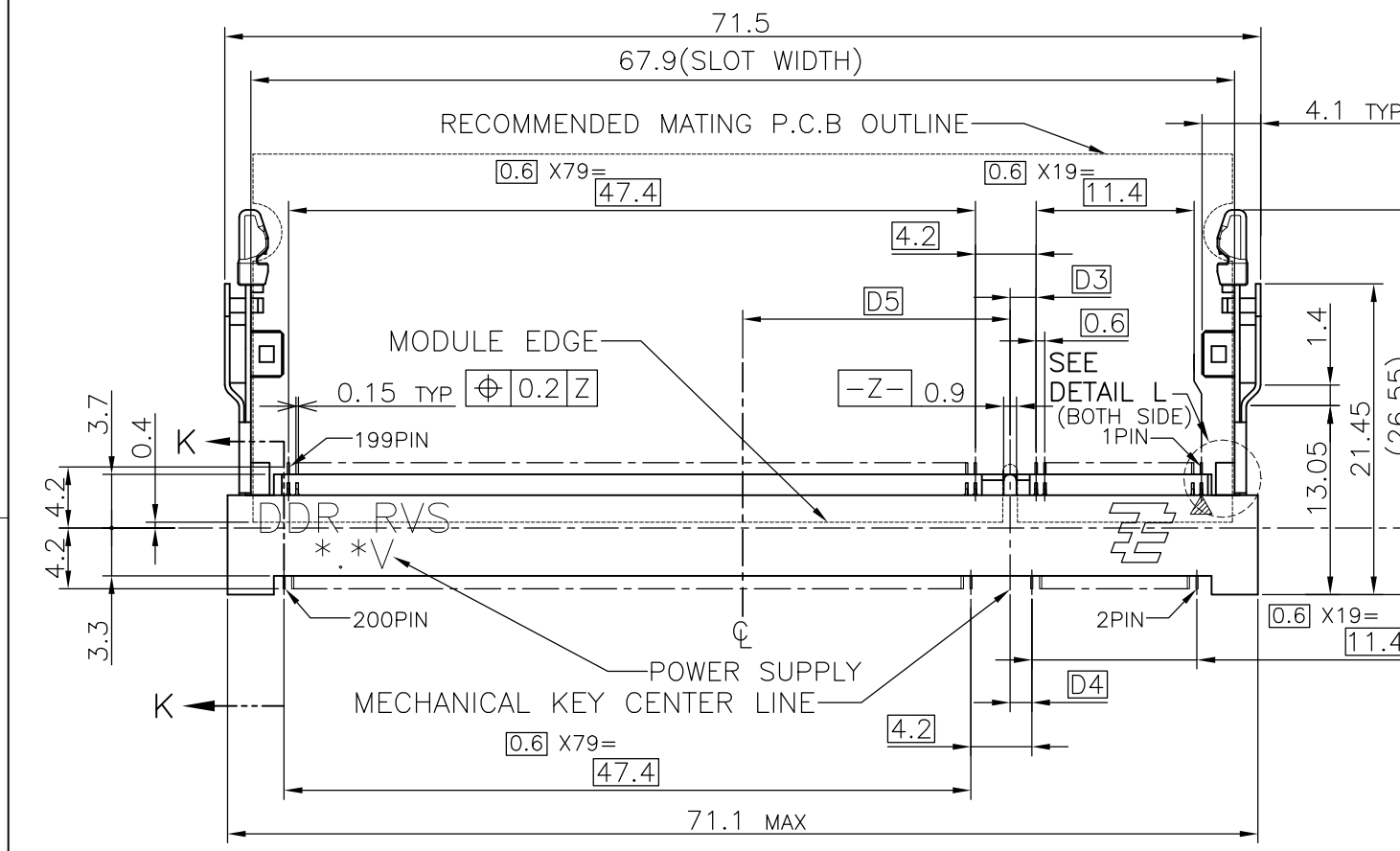
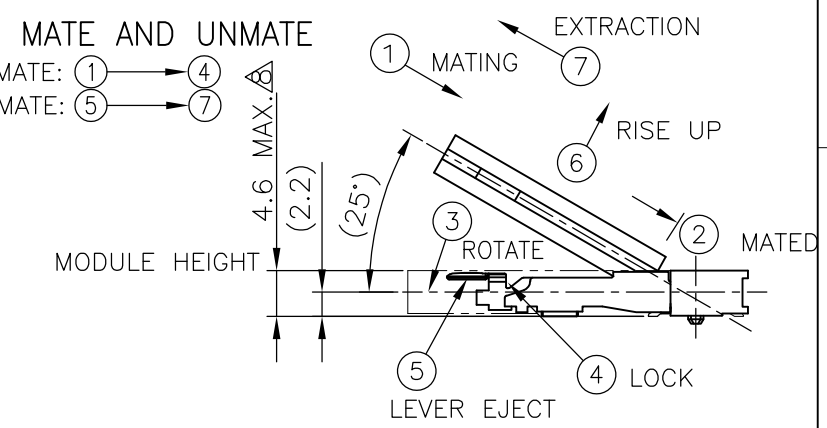
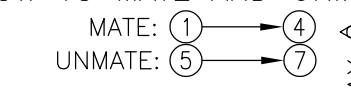
THIS DRAWING IS UNPUBLISHED. RELEASED FOR PUBLICATION SEP ,2003.
 © COPYRIGHT 2003 By - ALL RIGHTS RESERVED.

LOC	DIST	REVISIONS			
P	LTR	DESCRIPTION	DATE	DWN	APVD
J					
	E2	REVISED PER ECO-11-005033	28MAR11	RK	HMR



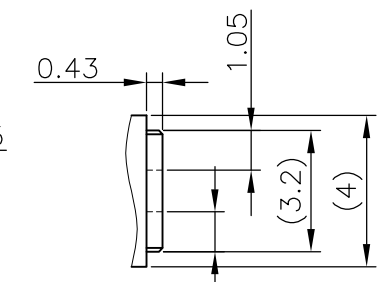
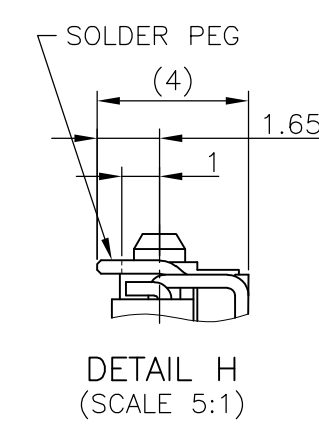
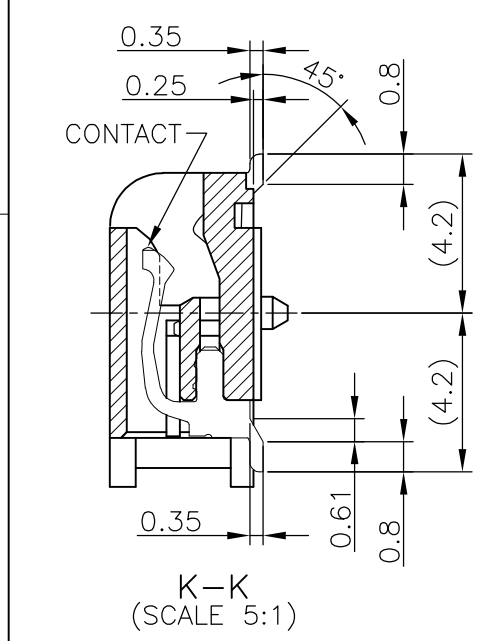
DETAIL L
(SCALE 5:1)

HOW TO MATE AND UNMATE



(APPLIED TO SHEET 1-2)

- MATERIAL ; HOUSING: HIGH TEMPERATURE THERMO PLASTIC UL94V-0
CONTACT: COPPER ARROY
LOCK LEVER: STAINLESS STEEL
SOLDER PEG: COPPER ARROY
 - FINISH ; CONTACT AREA: GOLD FLASH ON 0.0013MIN ALL OVER NICKEL.
SOLDERING AREA: GOLD FLASH PLT.
SOLDER PEG: TIN PLATING.
- △ MECHANICAL KEY POSITION OF CONNECTOR SEE TABLE.
 △ TOLERANCES NON-CUMULATIVE.
 △ NOT TO SCALE.
 6 INSIDE MUST BE RESIST COAT EXCEPT SOLDER PATTERN.
 △ COPLANARITY : 0.1 MAX.
 △ THE FLOATING VALUE BY SOLDERING IS NOT INCLUDED.
 △ NOT MATING CONDITION.
 10 IF THE MODULE DOESN'T INSERT AND LOCK IN THE LATCH SMOOTHLY, OPEN WIDE BOTH LATCHES BY MANUAL. AND THE MODULE MUST BE INSERTED AND LOCKED IN THE LATCH.



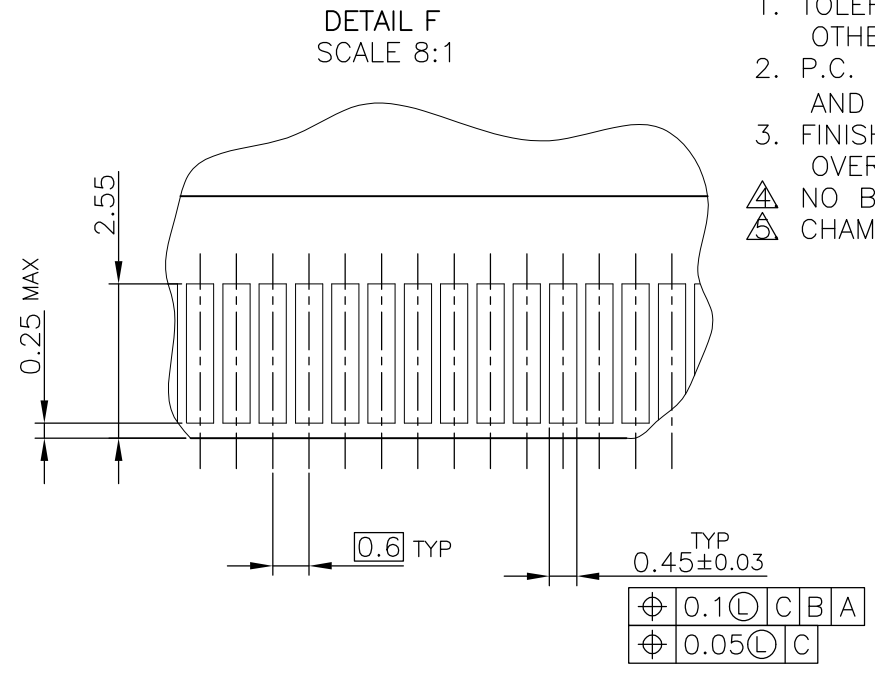
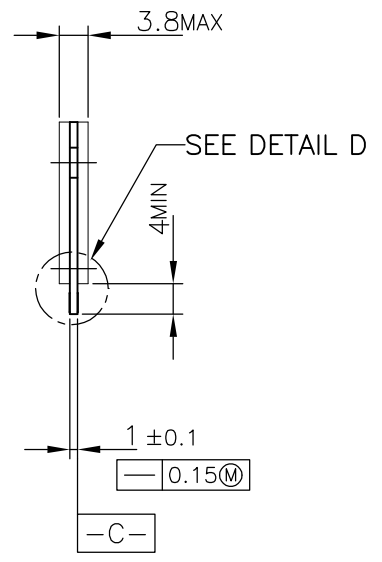
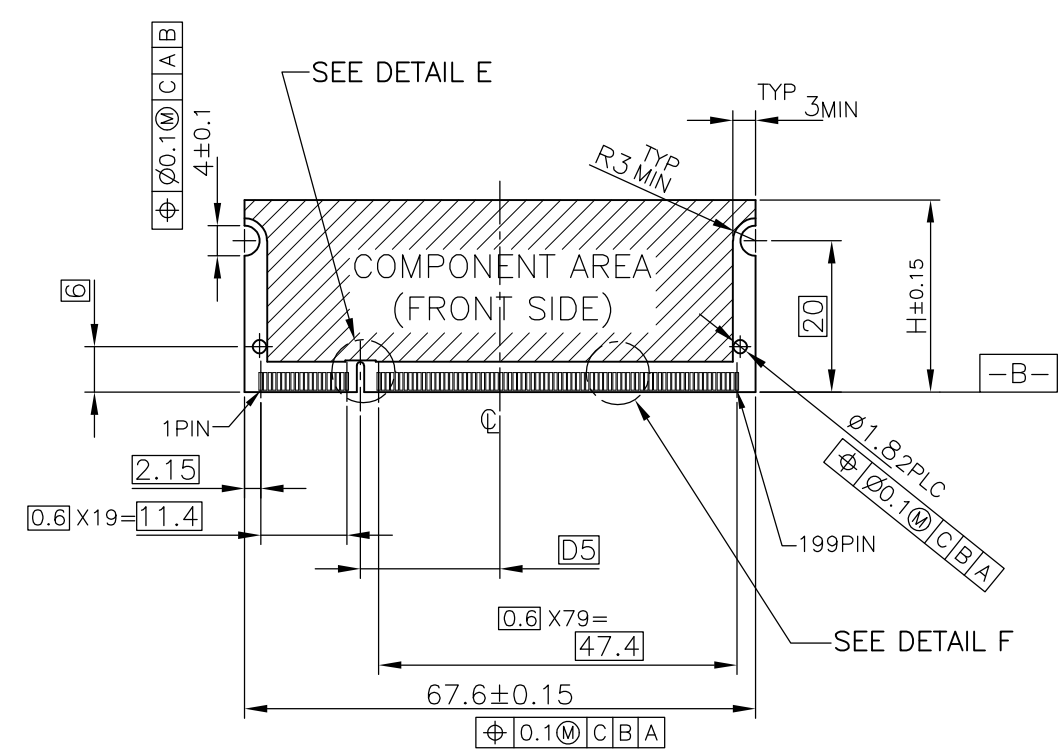
DETAIL J
(SCALE 5:1)

GENERAL TOLERANCE
 10 ≥ : ±0.2
 30 ≥ > 10: ±0.25
 100 ≥ > 30: ±0.3
 ANGLES: ±3'

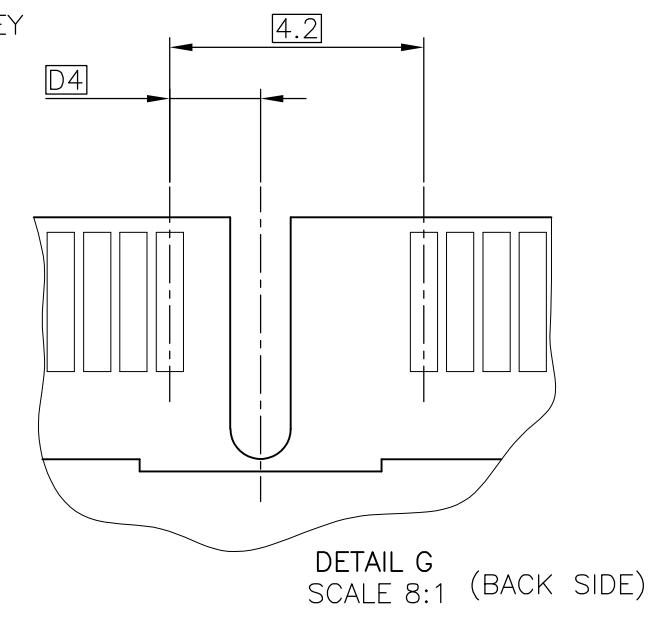
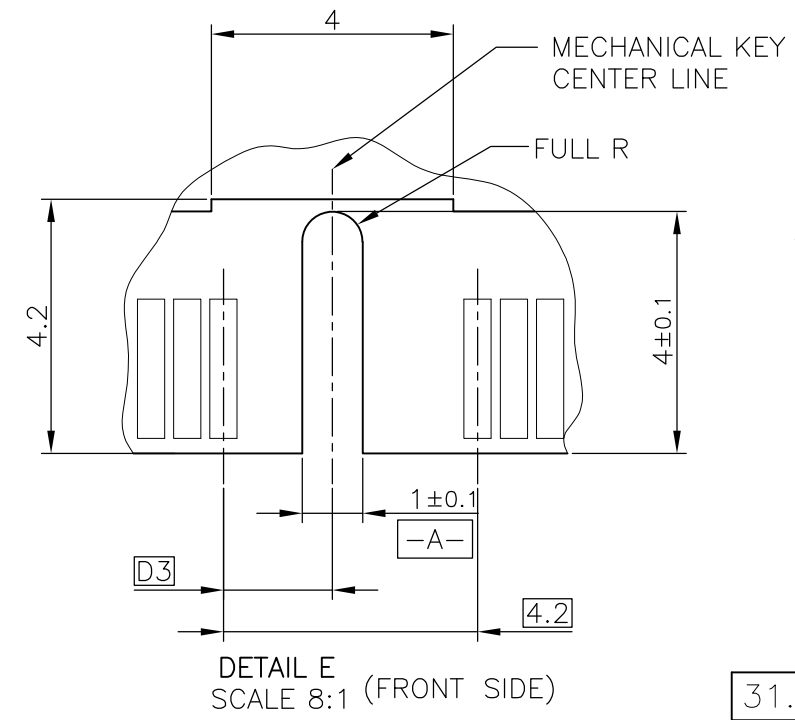
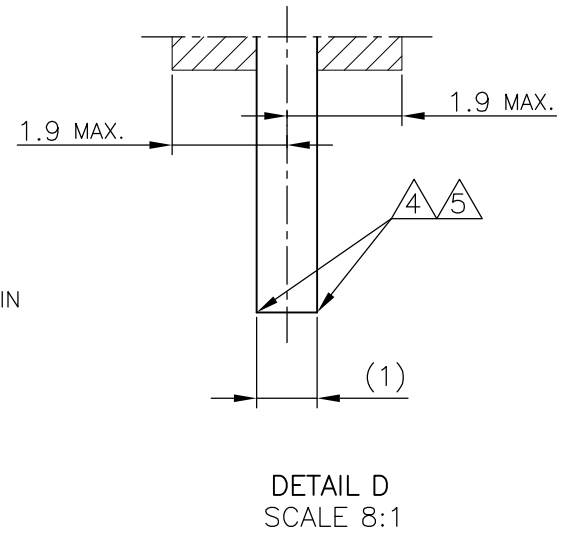
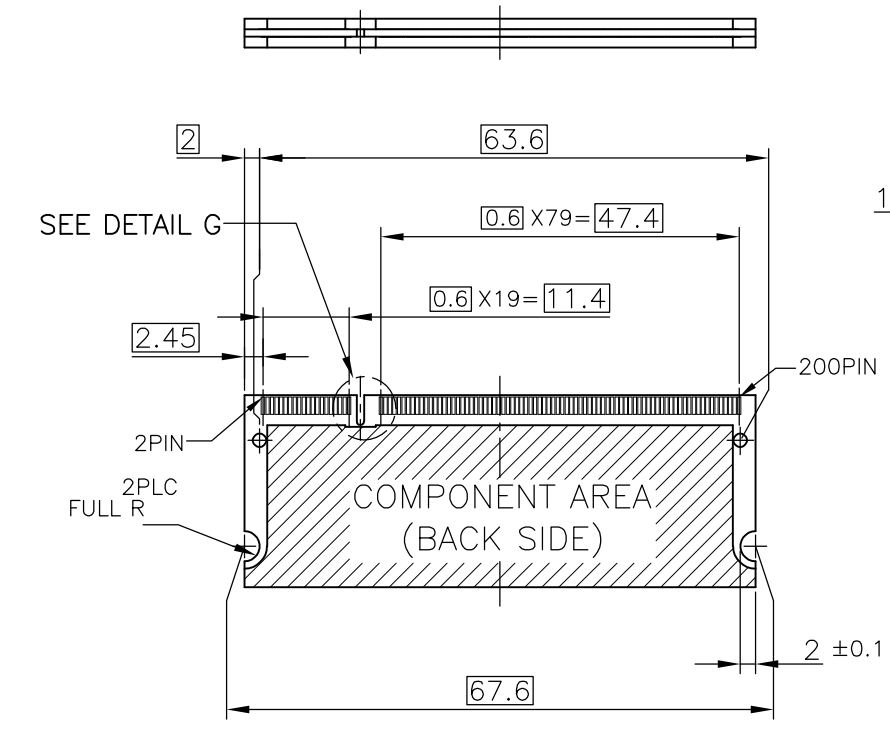
AVAILABLE	—H—	1.8V (DDR2)	17.55	2.4	2.7	200	1-1717833-4
AVAILABLE	—H—	1.8V (DDR2)	17.55	2.4	2.7	200	1717833-4
AVAILABLE	—H—	2.5V (DDR1)	18.45	1.5	1.8	200	1717833-1
TOOLING STATUS	REMARK	POWE SUPPLY (TYPE)	D5	D4	D3	POS	PART NO.
THIS DRAWING IS A CONTROLLED DOCUMENT.		DWN B.WONG 20JUL10	TE Connectivity NAME: DDR1 & DDR2 SODIMM SOCKET 0.6mm PITCH 200POS LOW PROFILE REVERSE TYPE (LATCH DIRECT SOLDERING TYPE)				
DIMENSIONS: MM		CHK C.WANG 20JUL10					
TOLERANCES UNLESS OTHERWISE SPECIFIED:		APVD S.YAO 20JUL10					
0 PLC ± 1 PLC ± 2 PLC ± 3 PLC ± 4 PLC ± ANGLES ± FINISH ±		PRODUCT SPEC 108-5701					
MATERIAL		APPLICATION SPEC	SIZE A3	CAGE CODE 00779	DRAWING NO C-1717833	RESTRICTED TO	
		WEIGHT 3.2g	CUSTOMER DRAWING		SCALE 2:1	SHEET 1 OF 4	REV E2

THIS DRAWING IS UNPUBLISHED. RELEASED FOR PUBLICATION SEP ,2003.
 © COPYRIGHT 2003 By - ALL RIGHTS RESERVED.

LOC	DIST	REVISIONS					
J		P	LTR	DESCRIPTION	DATE	DWN	APVD
		-		SEE SHEET 1	-	-	-



- (APPLIED TO SHEET 3)
1. TOLERANCES ON ALL DIMENSIONS ±0.15 UNLESS OTHERWISE SPECIFIED.
 2. P.C. BOARD THICKNESS APPLIES ACROSS TABS AND INCLUDES PLATING AND/OR METALIZATION.
 3. FINISH OF PAD : GOLD PLATING 0.00076 MIN. OVER Ni PLATING 0.002MIN.
- ⚠ NO BURR
- ⚠ CHAMFER 0.25 MAX x 45° IF EXIST.



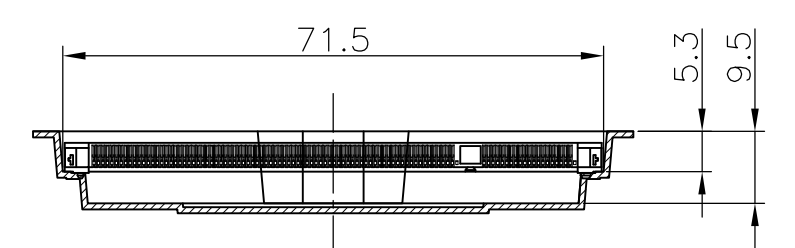
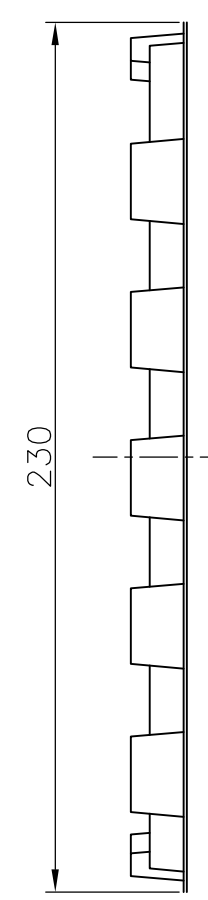
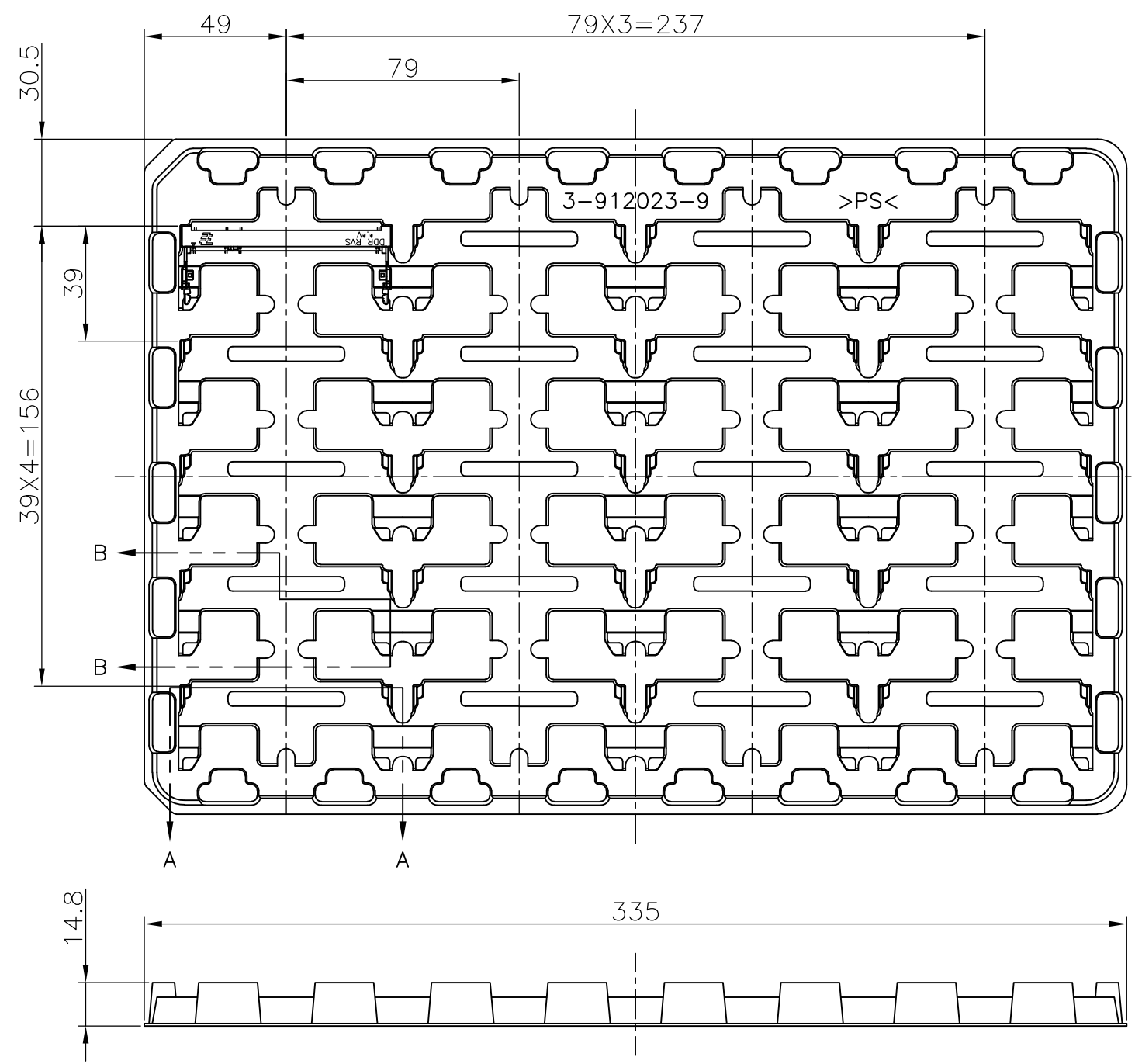
推奨基板仕様
 RECOMMENDED MATING P.C.B CONFIGURATION

31.75	1.8V	17.55	2.4	2.7
25.4	2.5V	18.45	1.5	1.8
H	POWER SUPPLY	D5	D4	D3

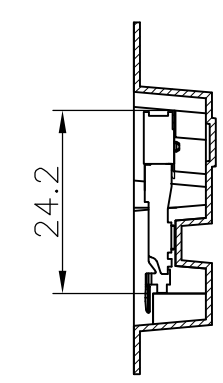
THIS DRAWING IS A CONTROLLED DOCUMENT.		DWN	TE Connectivity NAME DDR1 & DDR2 SODIMM SOCKET 0.6mm PITCH 200POS LOW PROFILE REVERSE TYPE (LATCH DIRECT SOLDERING TYPE)			
DIMENSIONS: MM		CHK				
TOLERANCES UNLESS OTHERWISE SPECIFIED:		APVD				
0 PLC ± 1 PLC ± 2 PLC ± 3 PLC ± 4 PLC ± ANGLES ± FINISH ±		PRODUCT SPEC				
MATERIAL		APPLICATION SPEC	SIZE	CAGE CODE	DRAWING NO	RESTRICTED TO
		WEIGHT	A3 00779 C-1717833			
CUSTOMER DRAWING			SCALE	SHEET	REV	
			2:1	3 OF 4	E2	

THIS DRAWING IS UNPUBLISHED. RELEASED FOR PUBLICATION SEP ,2003.
 © COPYRIGHT 2003 By - ALL RIGHTS RESERVED.

LOC	DIST	REVISIONS			
P	LTR	DESCRIPTION	DATE	DWN	APVD
J		SEE SHEET 1	-	-	-




A-A
SCALE 1:1
(180DEG. ROTATE)



B-B
SCALE 1:1

1. THE DIRECTION OF EACH CONNECTOR ON A TRAY IS REFERRED TO THIS DRAWING.
2. GENERAL TOLERANCE : ±0.5

20EA/TRAY	1-1717833-4
20EA/TRAY	1717833-4
20EA/TRAY	1717833-1
QTY	P/N

THIS DRAWING IS A CONTROLLED DOCUMENT.		DWN	 TE Connectivity					
DIMENSIONS: MM		CHK				NAME		
TOLERANCES UNLESS OTHERWISE SPECIFIED: 0 PLC ± 1 PLC ± 2 PLC ± 3 PLC ± 4 PLC ± ANGLES ± FINISH ±		APVD				DDR1 & DDR2 SODIMM SOCKET 0.6mm PITCH 200POS LOW PROFILE REVERSE TYPE (LATCH DIRECT SOLDERING TYPE)		
MATERIAL		PRODUCT SPEC				SIZE	CAGE CODE	DRAWING NO
		APPLICATION SPEC	A300779 C-1717833					
		WEIGHT	CUSTOMER DRAWING			SCALE 1:2		
			SHEET 4 OF 4			REV E2		