



Chipsmall Limited consists of a professional team with an average of over 10 year of expertise in the distribution of electronic components. Based in Hongkong, we have already established firm and mutual-benefit business relationships with customers from,Europe,America and south Asia,supplying obsolete and hard-to-find components to meet their specific needs.

With the principle of “Quality Parts,Customers Priority,Honest Operation,and Considerate Service”,our business mainly focus on the distribution of electronic components. Line cards we deal with include Microchip,ALPS,ROHM,Xilinx,Pulse,ON,Everlight and Freescale. Main products comprise IC,Modules,Potentiometer,IC Socket,Relay,Connector.Our parts cover such applications as commercial,industrial, and automotives areas.

We are looking forward to setting up business relationship with you and hope to provide you with the best service and solution. Let us make a better world for our industry!



Contact us

Tel: +86-755-8981 8866 Fax: +86-755-8427 6832

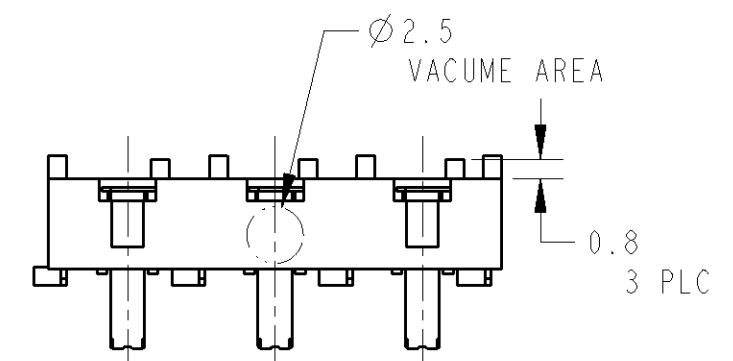
Email & Skype: info@chipsmall.com Web: www.chipsmall.com

Address: A1208, Overseas Decoration Building, #122 Zhenhua RD., Futian, Shenzhen, China



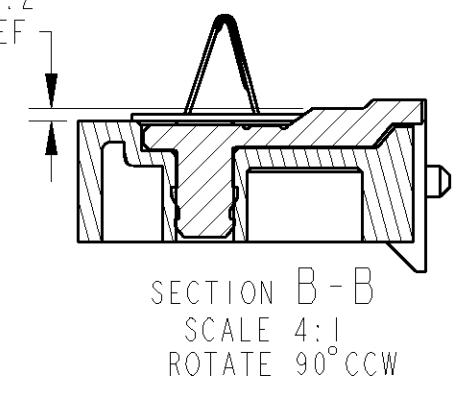
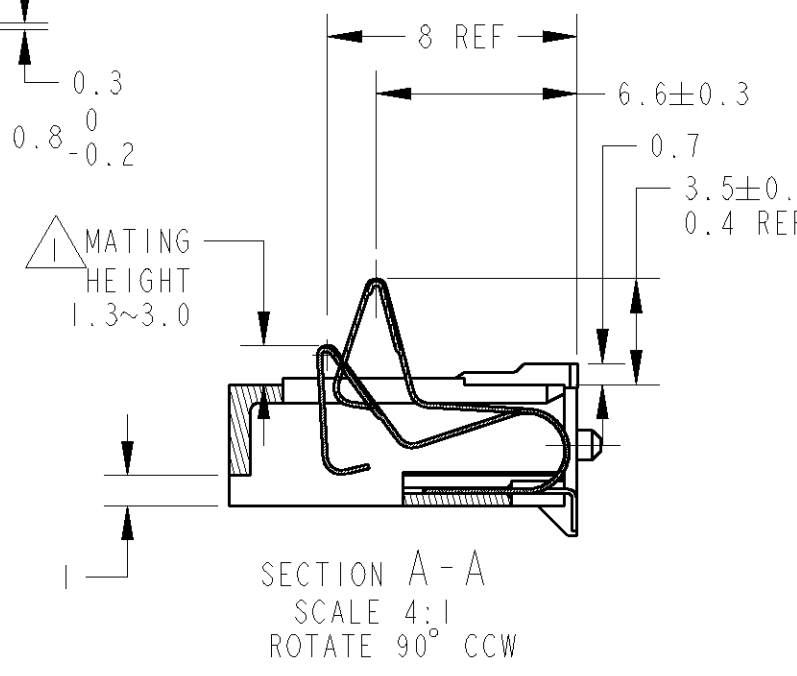
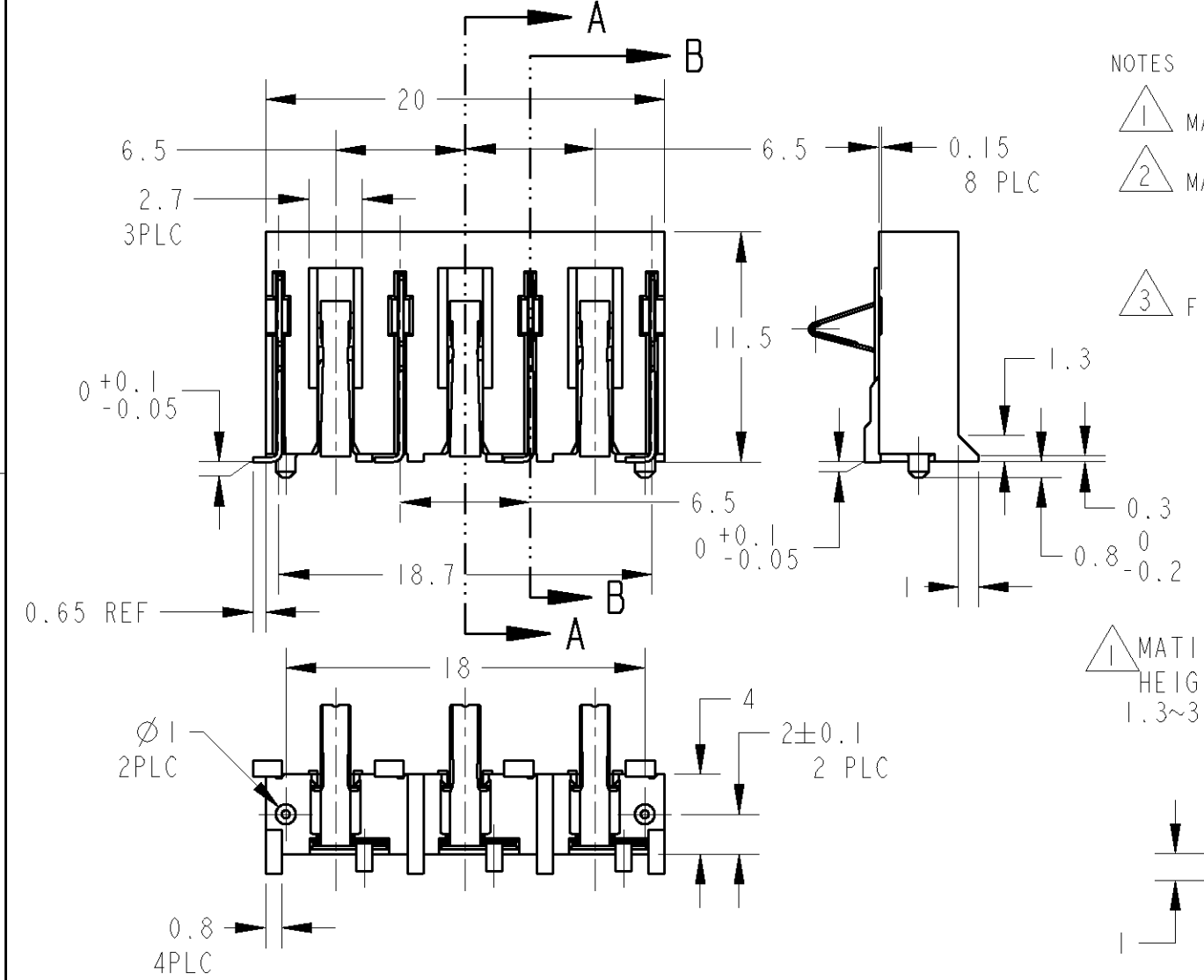
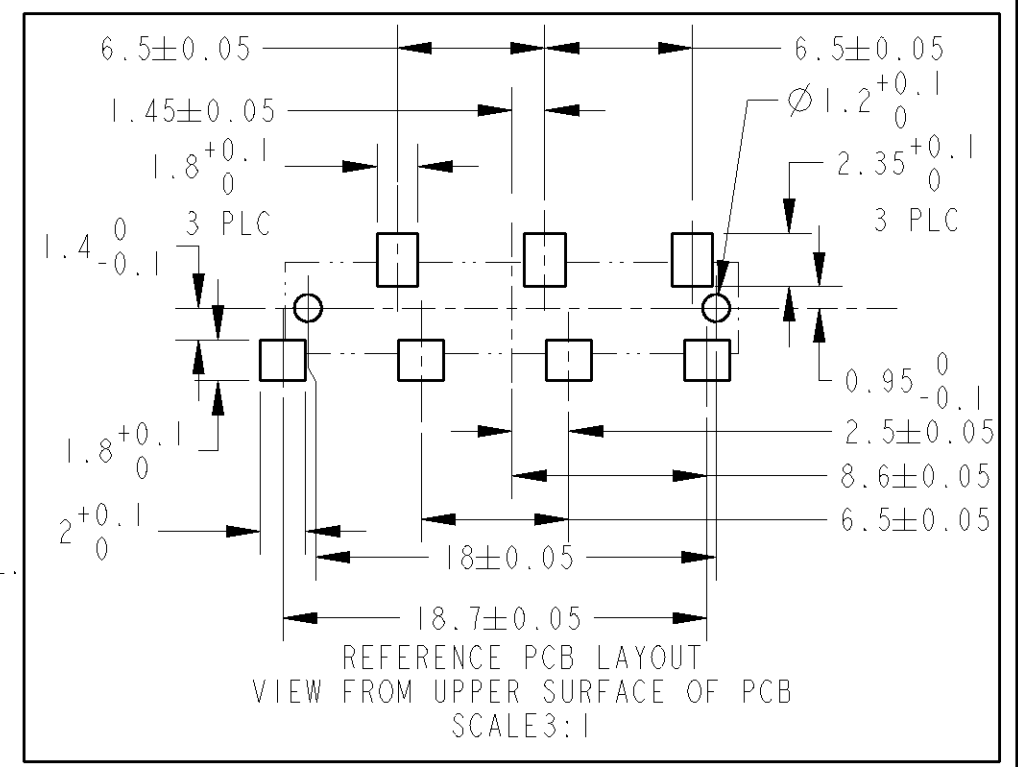
THIS DRAWING IS UNPUBLISHED. RELEASED FOR PUBLICATION
 © COPYRIGHT 20 BY TYCO ELECTRONICS CORPORATION. ALL RIGHTS RESERVED.

LOC	DIST	REVISIONS						
		P	LTR	DESCRIPTION	ECN	DATE	DWN	APVD
J	-	0		RELEASED	FJB0-0994-03	25NOV03	T.K	K.I

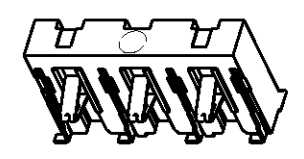


注記
 ①: コネクタ使用範囲: ハウジング面からの距離
 ② 材料 ハウジング: 熱可塑性樹脂 UL94V-0
 色: 黒
 コンタクト: 銅合金
 ペグ: 銅合金
 ③ 仕上げ コンタクト: Ni 下地メッキ
 接触部: 金メッキ
 半田付け部: 金フラッシュメッキ
 ペグ: Ni 下地メッキ: 銅メッキ仕上げ

NOTES
 ① MATING HEIGHT FROM HOUSING SURFACE
 ② MATERIAL HOUSING: THERMO PLASTIC, UL94V-0
 COLOR BLACK
 CONTACT: COPPER ALLOY
 PEG: COPPER ALLOY
 ③ FINISH CONTACT: GOLD PL. ALL OVER NI UNDER PL.
 PEG: TIN PL. OVER NI UNDER PL.



鉛フリー
LEAD FREE



1717838-1 ; AS SHOWN

GENERAL TOLERANCE 一般公差	
RANGE OF DIMENSION 呼び寸法区分	TOLERANCE ±
< 1.0	0.15
1 ≤ DIM ≤ 6	0.20
6 < DIM ≤ 18	0.30
18 < DIM	0.50

DIMENSIONS: 単位: 概 mm		TOLERANCES UNLESS OTHERWISE SPECIFIED: 一般公差 ± SEE TABLE	
0-PLC	±0.2	0-PLC	±0.2
1-PLC	±0.2	1-PLC	±0.2
2-PLC	±0.1	2-PLC	±0.1
3-PLC	±0.1	3-PLC	±0.1
4-PLC	±0.1	4-PLC	±0.1
ANGLES	±5	ANGLES	±5

DWN	T. KIMURA	25NOV03
CHK	K. IKEGAMI	25NOV03
APVD	K. IKEGAMI	25NOV03
PRODUCT SPEC	108-5936	
APPLICATION SPEC	取付適用規格	
WEIGHT	1.1g	

tyco Electronics		Tyco Electronics AMP K.K. Kawasaki, Japan	
NAME 名称		LEAF BATTERY 3P SMT PITCH=6.5	
SIZE	CAGE CODE	DRAWING NO 番号	RESTRICTED TO
A3	00779	1717838	-
CUSTOMER DRAWING		SCALE 尺度	SHEET OF REV
		3:1	1 OF 1 0