



Chipsmall Limited consists of a professional team with an average of over 10 year of expertise in the distribution of electronic components. Based in Hongkong, we have already established firm and mutual-benefit business relationships with customers from,Europe,America and south Asia,supplying obsolete and hard-to-find components to meet their specific needs.

With the principle of “Quality Parts,Customers Priority,Honest Operation,and Considerate Service”,our business mainly focus on the distribution of electronic components. Line cards we deal with include Microchip,ALPS,ROHM,Xilinx,Pulse,ON,Everlight and Freescale. Main products comprise IC,Modules,Potentiometer,IC Socket,Relay,Connector.Our parts cover such applications as commercial,industrial, and automotives areas.

We are looking forward to setting up business relationship with you and hope to provide you with the best service and solution. Let us make a better world for our industry!



## Contact us

Tel: +86-755-8981 8866 Fax: +86-755-8427 6832

Email & Skype: info@chipsmall.com Web: www.chipsmall.com

Address: A1208, Overseas Decoration Building, #122 Zhenhua RD., Futian, Shenzhen, China



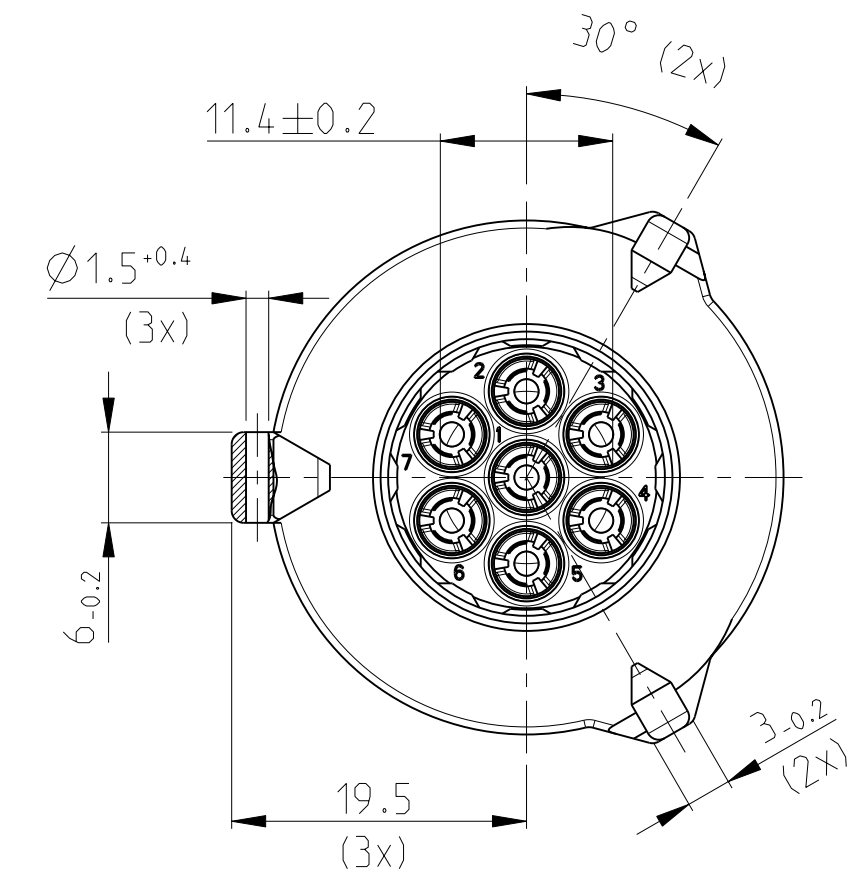
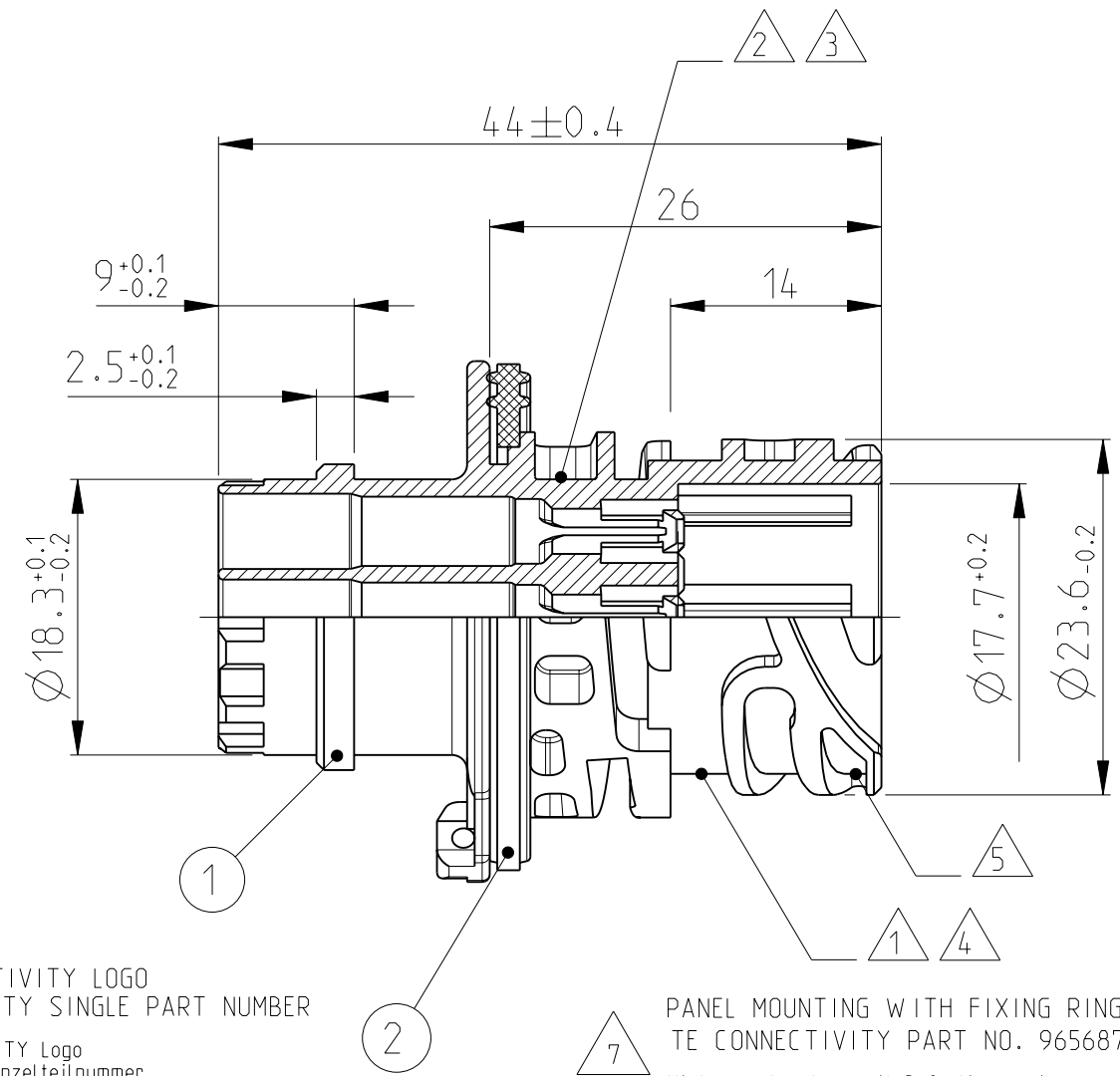
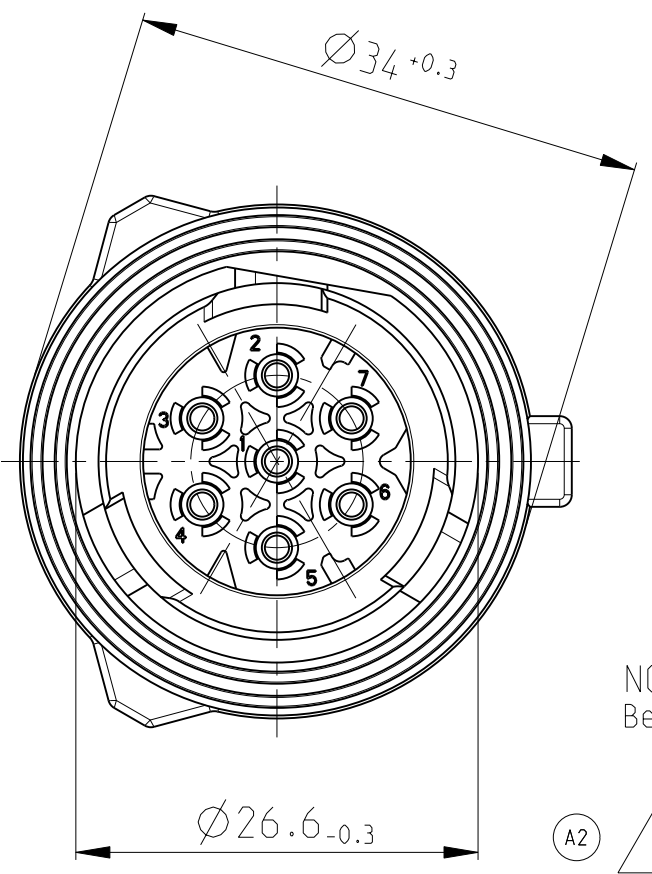
THIS DRAWING IS UNPUBLISHED  
 VERTRAULICHE UNVERÖFFENTLICHTE ZEICHNUNG  
 © COPYRIGHT 2004

RELEASED FOR PUBLICATION  
 FREI FÜR VERÖFFENTLICHUNG  
 ALL RIGHTS RESERVED.  
 ALLE RECHTE VORBEHALTEN

MATED WITH:  
 PASSEND ZU:  
 967650

CODING A AS SHOWN  
 Kodierung A wie gezeichnet

LOC	DIST	REVISIONS					
		P	LTR	DESCRIPTION	DATE	DWN	APVD
A1	-	A3		REVISED PER ECO-11-005150	30MAR2011	RK	HMR
		A4		FOR DETAILS SEE PCN E-12-002103	07MAY2012	CG	JG

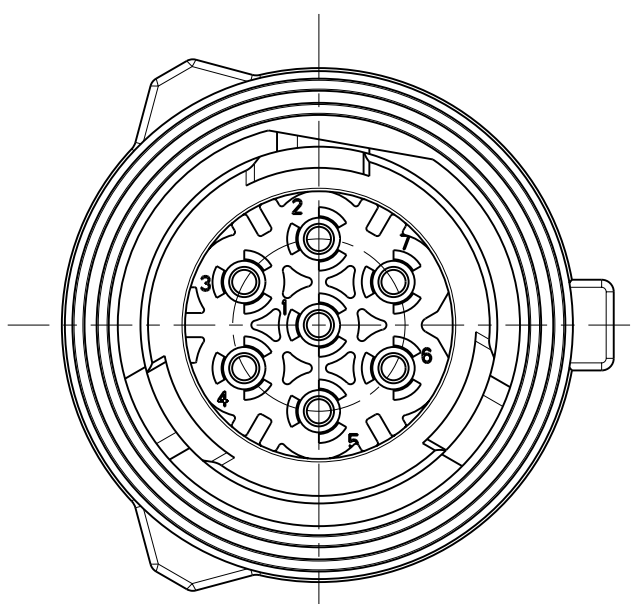


NOTES  
 Bemerkungen

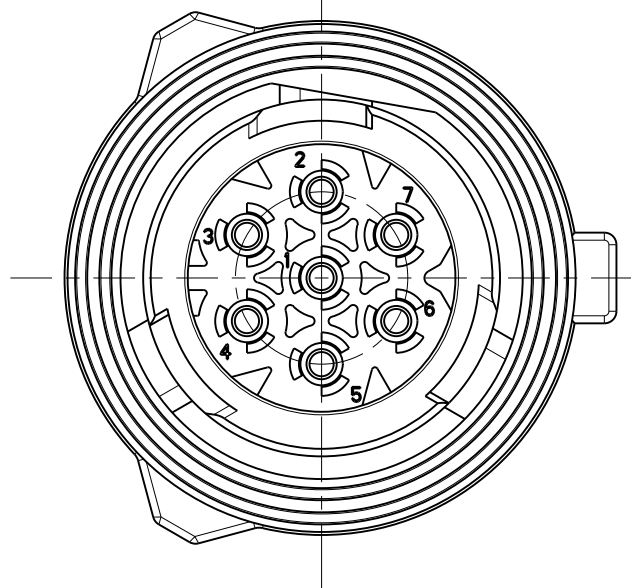
- A2 1 AMP OR TE CONNECTIVITY LOGO AND TE CONNECTIVITY SINGLE PART NUMBER  
 AMP oder TE CONNECTIVITY Logo und TE CONNECTIVITY Einzelteilnummer
- 2 MATERIAL MARKING  
 Werkstoffkennzeichnung
- 3 REVISION OF THE MOULD  
 Werkzeugaenderungsindex
- 4 PRODUCTION DATE  
 Produktionsdatum
- 5 CAVITY MARKING  
 Nestmarkierung
- 6 FOR SUITABLE CONTACTS AND SEALS SEE DRAWINGS:  
 Zu verwendende Kontakte und Einzeldichtungen siehe Tabellenzeichnungen:
- 7 PANEL MOUNTING WITH FIXING RING  
 TE CONNECTIVITY PART NO. 965687-1  
 Hinterwandmontage mit Befestigungsring  
 TE CONNECTIVITY-Nr. 965687-1
- 8 IN THE CASE OF THE NEW DESIGNS, THE DIMENSIONS OF THE CUT OFF SHOULD BE PLACED NEAR THE LOWER TOLERANCE LIMIT  
 Bei Neukonstruktionen sollten die Masse des Blechausschnitts an die untere Toleranzgrenze gelegt werden
- 9 DASH-NO. 1- NOT ON PART  
 Vorstrichzahl 1- nicht auf Teil

FURTHER CODINGS:  
 weitere Kodierungen:

CODING B  
 Kodierung B

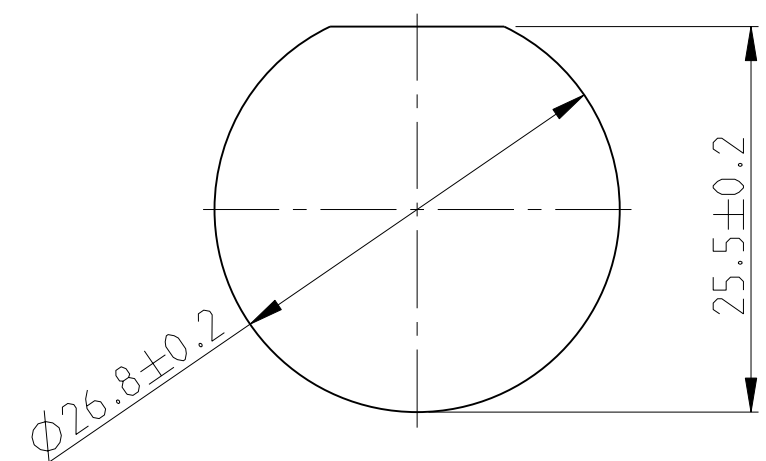


CODING C  
 Kodierung C



CUT OFF  
 (Material THICKNESS: 2.5<sup>±0.1</sup> MM)

Befestigungsausschnitt  
 (Materialstaerke: 2.5<sup>±0.1</sup> mm)



USE ONLY CONTACTS WITH SINGLE WIRE SEALS!  
 Es sind nur Kontakte mit Einzeldichtungen einzusetzen!

A2 A1 TE CONNECTIVITY 1703020  
 MAX. WIRE THICKNESS: 2.5 mm<sup>2</sup> FLR  
 max. Drahtgrosse:

Bestell-Nr. ORDER-NO.	REV.	Bestueckliste Kategorie USED CONTACT CAVITIES	POS.	Stueck QTY	Benennung Einzelteil DESCRIPTION SINGE PART	Werkstoff MATERIAL	Oberflaeche/Farbe SURFACE/COLOUR
3-1718230-1	A	1-7	2	1	SEALING Dichtung	SILICONE Silikon	GREEN/gruen
			1	1	7POS. PIN HOUSING CODE C 7pol. Stiftgehaeuse Kodierung C	PBT-GF20	GREEN/gruen
2-1718230-1	A	1-7	2	1	SEALING Dichtung	SILICONE Silikon	GREEN/gruen
			1	1	7POS. PIN HOUSING CODE B 7pol. Stiftgehaeuse Kodierung B	PBT-GF20	GREY/grau
1-1718230-1	A	1-7	2	1	SEALING Dichtung	SILICONE Silikon	GREEN/gruen
			1	1	7POS. PIN HOUSING CODE A 7pol. Stiftgehaeuse Kodierung A	PBT-GF20	BLUE/blau
1718230-4	A	1-4	2	1	SEALING Dichtung	SILICONE Silikon	GREEN/gruen
			1	1	4POS. PIN HOUSING CODE A 4pol. Stiftgehaeuse Kodierung A	PBT-GF20	BLACK/schwarz
1718230-3	A	1-5	2	1	SEALING Dichtung	SILICONE Silikon	GREEN/gruen
			1	1	5POS. PIN HOUSING CODE A 5pol. Stiftgehaeuse Kodierung A	PBT-GF20	BLACK/schwarz
1718230-2	A	1-6	2	1	SEALING Dichtung	SILICONE Silikon	GREEN/gruen
			1	1	6POS. PIN HOUSING CODE A 6pol. Stiftgehaeuse Kodierung A	PBT-GF20	BLACK/schwarz
1718230-1	A	1-7	2	1	SEALING Dichtung	SILICONE Silikon	GREEN/gruen
			1	1	7POS. PIN HOUSING CODE A 7pol. Stiftgehaeuse Kodierung A	PBT-GF20	BLACK/schwarz

TOLERANCES UNLESS OTHERWISE SPECIFIED ACC. TO DIN 16901-140 CENTRIC TO NOMINAL DIMENSION. EDITION 1982-11 SHALL APPLY.  
 Freimasstoleranzen nach DIN 16901-140. Es gilt die Ausgabe 1982-11.

DIESE ZEICHNUNG IST EIN KONTROLLIERTES DOKUMENT.  
 BEMASSUNGEN UND TOLERANZEN GEMAESS GPS (ISO STANDARDS).

THIS DRAWING IS A CONTROLLED DOCUMENT.  
 DIMENSIONING AND TOLERANCING PER GPS (ISO STANDARDS).

DIMENSIONS: MASSE IN HETEN: [mm]	TOLERANCES UNLESS OTHERWISE SPECIFIED: ALLGEMEINTOLERANZEN: n. ISO 8015 0 PLC ± 0.2mm 1 PLC ± 2 PLC ± 3 PLC ± 4 PLC ±
ANGLE S/WINKEL FINISH/OBERFLAECHE/FARBE	SEE TABLE siehe Tabelle

MATERIAL: SEE TABLE  
 siehe Tabelle

WEIGHT  
 GEWICHT: 15g

CUSTOMER DRAWING

		TE Connectivity	
NAME	1.5MM PIN HOUSING, 5-7POS., ASSY 1.5mm Stiftgehaeuse, 5-7pol., Assy		
SIZE	CAGE CODE	DRAWING NO ZEICHNUNGS-NR.	RESTRICTED TO NUR FÜR
A2	00779	1718230	-
SCALE MASSSTAB	2:1	SHEET BLATT	1 OF VON 1
REV.	A4		