



Chipsmall Limited consists of a professional team with an average of over 10 year of expertise in the distribution of electronic components. Based in Hongkong, we have already established firm and mutual-benefit business relationships with customers from,Europe,America and south Asia,supplying obsolete and hard-to-find components to meet their specific needs.

With the principle of “Quality Parts,Customers Priority,Honest Operation,and Considerate Service”,our business mainly focus on the distribution of electronic components. Line cards we deal with include Microchip,ALPS,ROHM,Xilinx,Pulse,ON,Everlight and Freescale. Main products comprise IC,Modules,Potentiometer,IC Socket,Relay,Connector.Our parts cover such applications as commercial,industrial, and automotives areas.

We are looking forward to setting up business relationship with you and hope to provide you with the best service and solution. Let us make a better world for our industry!



Contact us

Tel: +86-755-8981 8866 Fax: +86-755-8427 6832

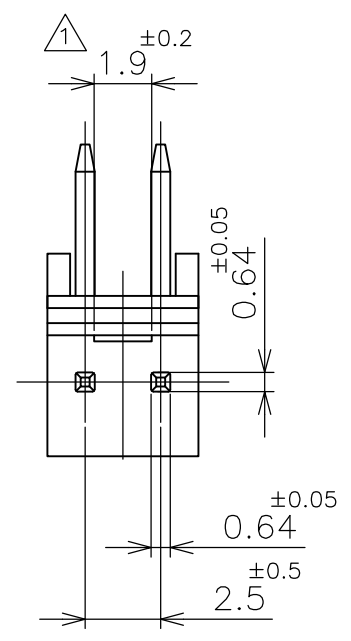
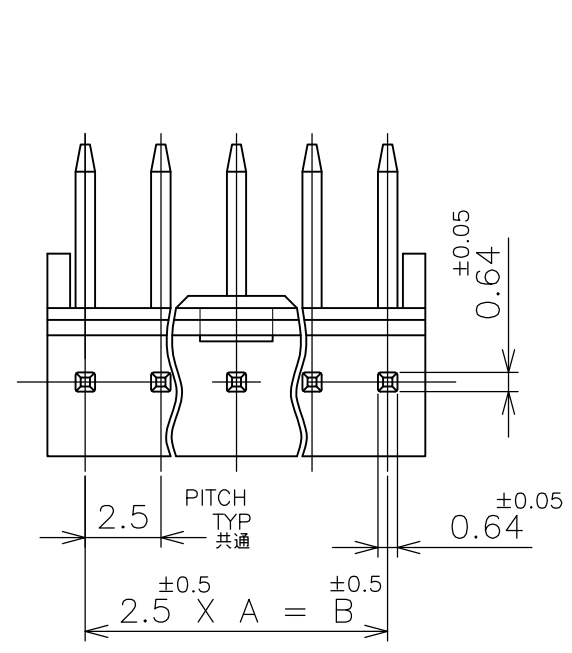
Email & Skype: info@chipsmall.com Web: www.chipsmall.com

Address: A1208, Overseas Decoration Building, #122 Zhenhua RD., Futian, Shenzhen, China

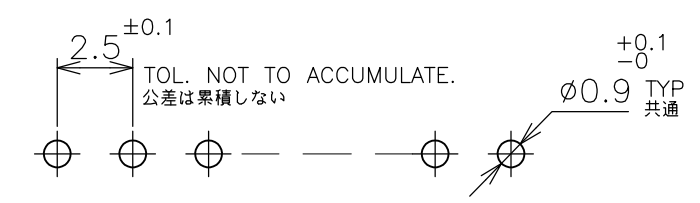
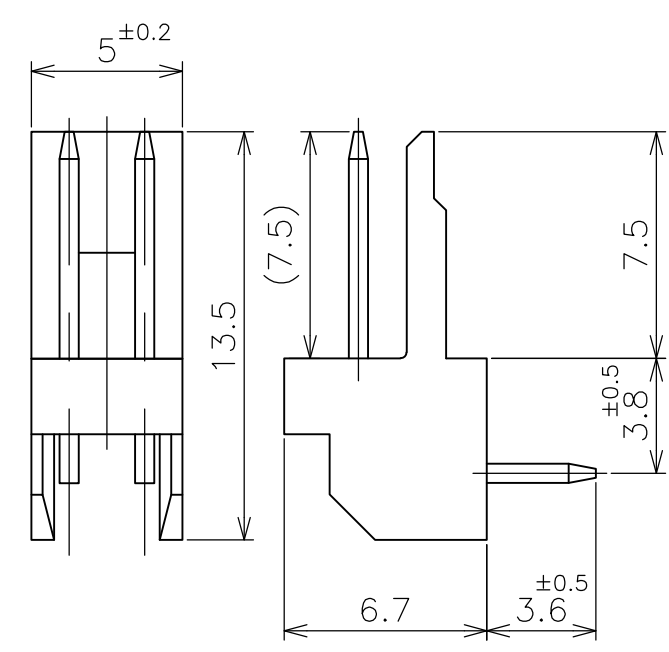
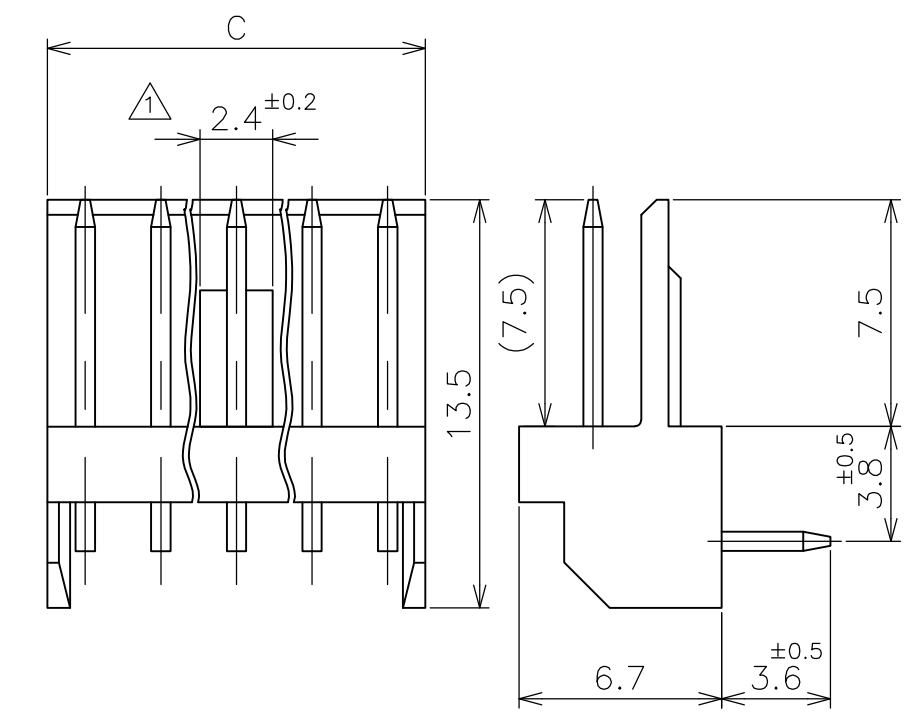


THIS DRAWING IS UNPUBLISHED. RELEASED FOR PUBLICATION MAY, 1977.
 © COPYRIGHT 1977 By - ALL RIGHTS RESERVED.

LOC	DIST	REVISIONS					
J	-	P	LTR	DESCRIPTION	DATE	DWN	APVD
			R1	REVISED PER ECO-11-005030	11MAR11	RK	HMR



① LOCKING HOLE IS PLACED ON THE CENTER OF POST HEADER.
 ① ロッキング凹部位置は長手方向の中央。



RECOMMENDED BOARD LAYOUT (1.6 THK)
 取付基板穴寸法(基板厚 1.6t)

3~12 POS 極

2 POS 極

30.0	27.5	11	12	9-171826-2	7-171826-2	5-171826-2	3-171826-2	1-171826-2
25.0	22.5	9	10	9-▲-0	7-▲-0	5-▲-0	3-▲-0	1-▲-0
22.5	20.0	8	9	8- -9	6- -9	4- -9	2- -9	-9
20.0	17.5	7	8	8- -8	6- -8	4- -8	2- -8	-8
17.5	15.0	6	7	8- -7	6- -7	4- -7	2- -7	-7
15.0	12.5	5	6	8- -6	6- -6	4- -6	2- -6	-6
12.5	10.0	4	5	8- -5	6- -5	4- -5	2- -5	-5
10.0	7.5	3	4	8- -4	6- -4	4- -4	2- -4	-4
7.5	5.0	2	3	8- -3	6- -3	4- -3	2- -3	-3
図示		—//—	2	8-171826-2	6-171826-2	4-171826-2	2-171826-2	171826-2
±0.2 C	±0.5 B	A	NO OF POS 極数	RED 赤色	GREEN 緑色	BLUE 青色	BLACK 黒色	NATURAL 自然色
				PART NUMBER 型番				

THIS DRAWING IS A CONTROLLED DOCUMENT.

DWN T.DOI	14MAY77	STE TE Connectivity
CHK H.TAGUCHI	14MAY77	
APVD H.TAGUCHI	14MAY77	NAME 名称
PRODUCT SPEC 製品規格		POST HEADER ASSY (HORIZONTAL) AMP EI SERIES CONNECTOR
APPLICATION SPEC 取付適用規格		
MATERIAL 材料 HSG : 66NYLON UL94V-0 POST: BRASS	FINISH 仕上 POST: TIN-PLATE	SIZE A3
		CAGE CODE 00779
		DRAWING NO C-171826
		RESTRICTED TO —
CUSTOMER DRAWING		SCALE 尺度 4:1
		SHEET 1 OF 1
		REV R1