



Chipsmall Limited consists of a professional team with an average of over 10 year of expertise in the distribution of electronic components. Based in Hongkong, we have already established firm and mutual-benefit business relationships with customers from,Europe,America and south Asia,supplying obsolete and hard-to-find components to meet their specific needs.

With the principle of “Quality Parts,Customers Priority,Honest Operation,and Considerate Service”,our business mainly focus on the distribution of electronic components. Line cards we deal with include Microchip,ALPS,ROHM,Xilinx,Pulse,ON,Everlight and Freescale. Main products comprise IC,Modules,Potentiometer,IC Socket,Relay,Connector.Our parts cover such applications as commercial,industrial, and automotives areas.

We are looking forward to setting up business relationship with you and hope to provide you with the best service and solution. Let us make a better world for our industry!



Contact us

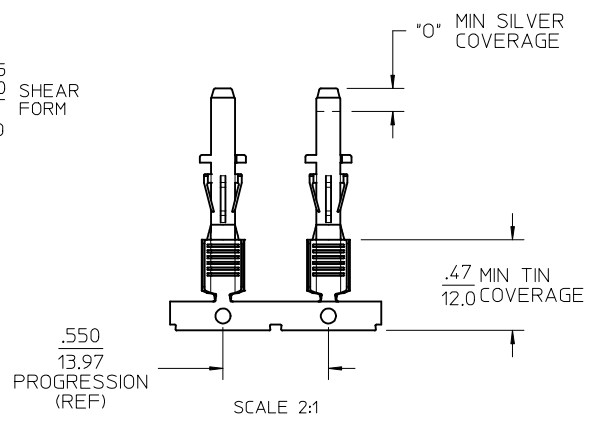
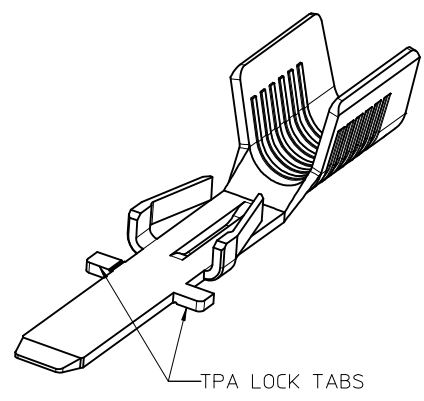
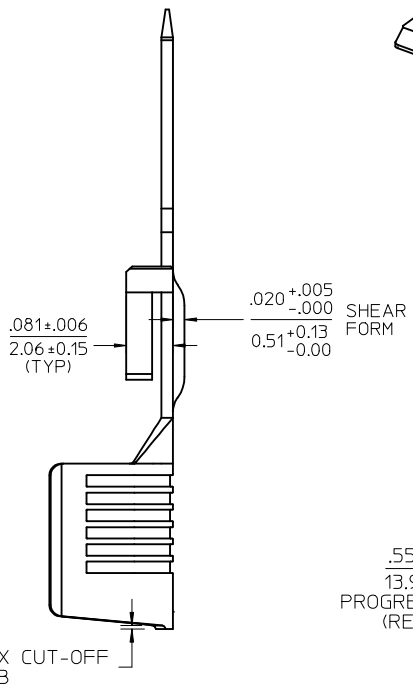
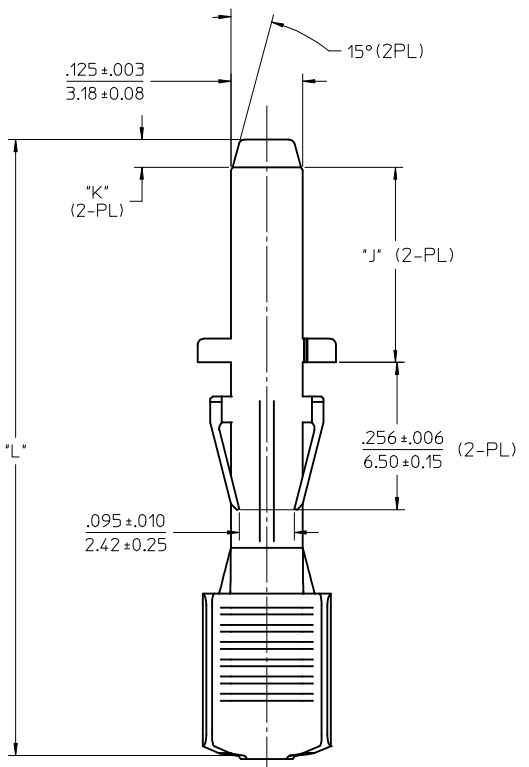
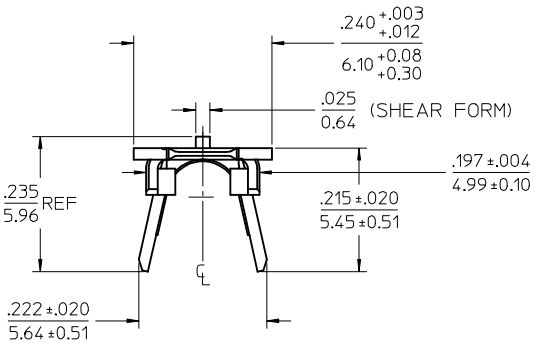
Tel: +86-755-8981 8866 Fax: +86-755-8427 6832

Email & Skype: info@chipsmall.com Web: www.chipsmall.com

Address: A1208, Overseas Decoration Building, #122 Zhenhua RD., Futian, Shenzhen, China



STYLE	P/N	J	K	L	O
STANDARD	171826-0100	.339/8.61	.048/1.22	1.261/32.02	.12/3.0
FINGER-PROOF	171826-0200	.301/7.65	.031/0.79	1.206/30.63	.07/1.7



- NOTES:
1. MATERIAL: .020/0.51 THICK HSM COPPER.
 2. FINISH: SELECT SILVER (.000100/0.00254 MIN) & SELECT MATTE TIN (.000100/0.00254 MIN) OVER NICKEL OVERALL.
 3. PRODUCT SPECIFICATION: PS-171825-001.
 4. PACKAGING: PK-171826-001 (PENDING).
 5. MATES WITH: 171825 FEMALE CRIMP TMLS, FOR USE IN 172673/43680 PLUG HSGS.
 6. SINGLE CRIMP TO 10 OR 12AWG STRANDED COPPER WIRE. TINNED WIRE RECOMMENDED.
 7. TERMINALS INDICATED AS "FINGER-PROOF" ARE DESIGNED TO MINIMIZE ACCESSIBILITY TO LIVE PARTS PER UL1977 AND UL60950 (FORMERLY UL1950) FINGER PROBE REQUIREMENTS.

ADD -0200 EC NO: UCP2015-2458 DRWN: DFOX 2015/01/15 CHKD: BANDERSON 2015/01/15 APPR: FSMITH 2015/01/22	QUALITY SYMBOLS ▽=0 ▽=0 ▽=0	GENERAL TOLERANCES (UNLESS SPECIFIED)		DIMENSION STYLE IN/MM		SCALE 6:1	DESIGN UNITS INCH	THIRD ANGLE PROJECTION	
		mm	INCH	DRAWN BY GES	DATE 2013/04/02	SUPER-SABRE MALE CRIMP TERMINAL			
REV B	DESCRIPTION	4 PLACES ± --- ± ---	3 PLACES ± --- ± .010	CHECKED BY BANDERSON	DATE 2013/04/02	molex			
		2 PLACES ± 0.25 ± .014	1 PLACE ± 0.35 ± ---	APPROVED BY FSMITH	DATE 2013/10/09				
		ANGULAR ±1/2°		MATERIAL NO. SEE CHART		DOCUMENT NO. SD-171826-001		SHEET NO. 1 OF 1	
		DRAFT WHERE APPLICABLE MUST REMAIN WITHIN DIMENSIONS		THIS DRAWING CONTAINS INFORMATION THAT IS PROPRIETARY TO MOLEX INCORPORATED AND SHOULD NOT BE USED WITHOUT WRITTEN PERMISSION					