



Chipsmall Limited consists of a professional team with an average of over 10 year of expertise in the distribution of electronic components. Based in Hongkong, we have already established firm and mutual-benefit business relationships with customers from,Europe,America and south Asia,supplying obsolete and hard-to-find components to meet their specific needs.

With the principle of “Quality Parts,Customers Priority,Honest Operation,and Considerate Service”,our business mainly focus on the distribution of electronic components. Line cards we deal with include Microchip,ALPS,ROHM,Xilinx,Pulse,ON,Everlight and Freescale. Main products comprise IC,Modules,Potentiometer,IC Socket,Relay,Connector.Our parts cover such applications as commercial,industrial, and automotives areas.

We are looking forward to setting up business relationship with you and hope to provide you with the best service and solution. Let us make a better world for our industry!



## Contact us

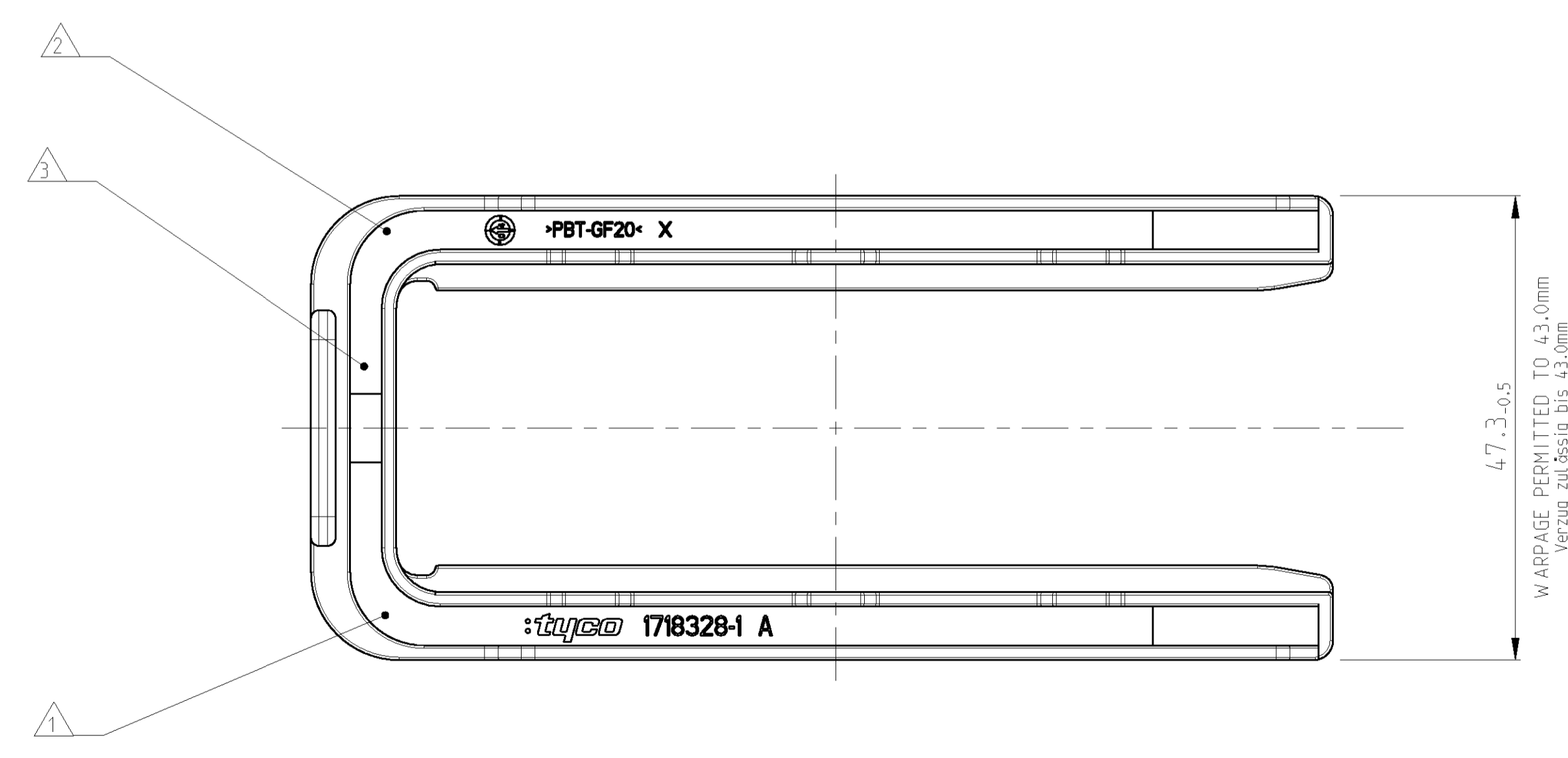
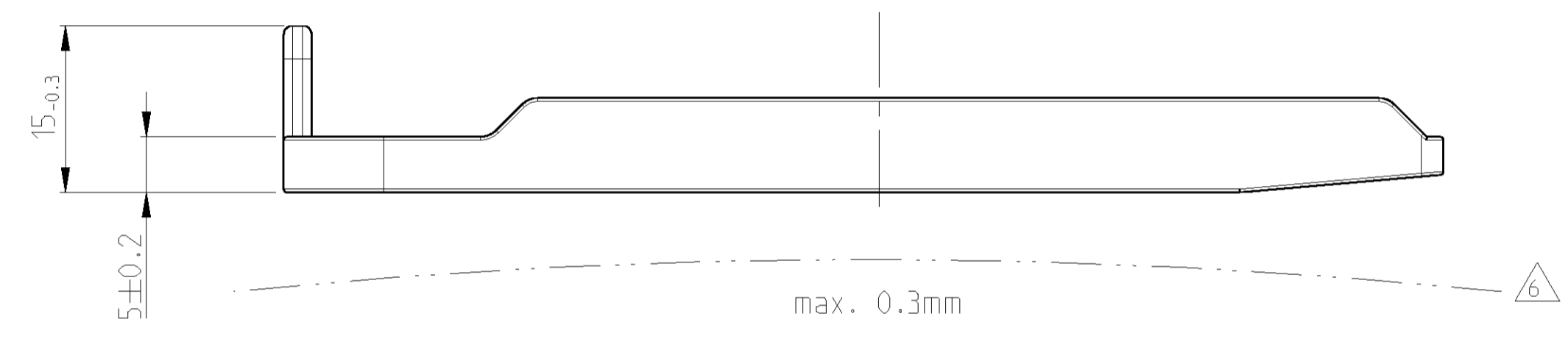
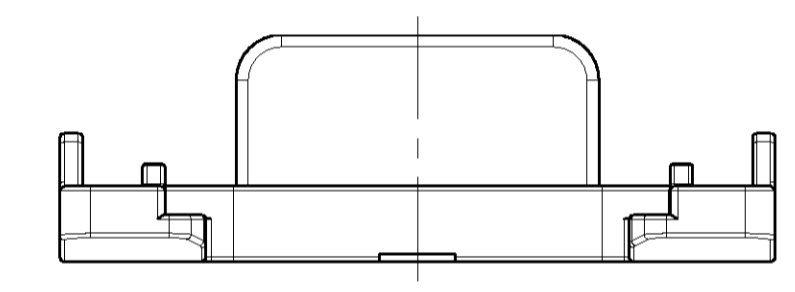
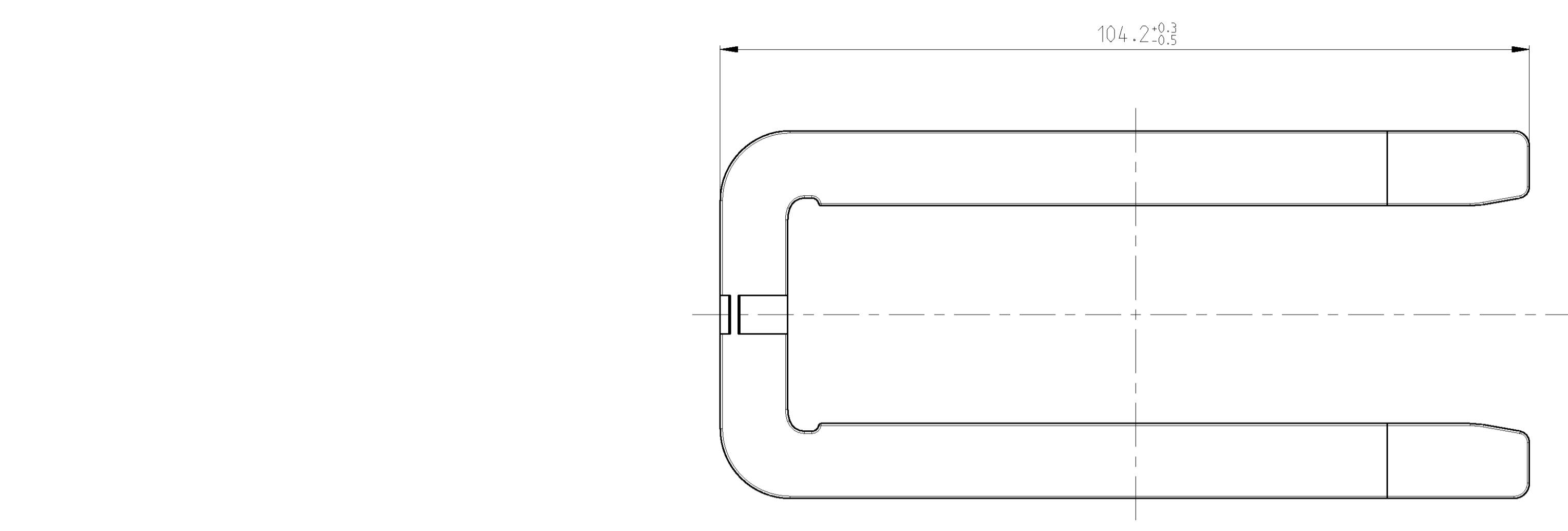
Tel: +86-755-8981 8866 Fax: +86-755-8427 6832

Email & Skype: info@chipsmall.com Web: www.chipsmall.com

Address: A1208, Overseas Decoration Building, #122 Zhenhua RD., Futian, Shenzhen, China



| LOC | DIST | REV | DATE      | BY | APPD |
|-----|------|-----|-----------|----|------|
| A1  | -    | A   | 24FEB2004 | FE | CE   |
|     |      | A1  | 22MAR2004 | FE | CE   |
|     |      | A2  | 07APR2004 | FE | CE   |
|     |      | A3  | 04MAY2004 | FE | CE   |



- NOTES**  
Bemerkungen
- 1 TYCO LOGO AND TYCO NUMBER  
TYCO Logo und TYCO Nummer
  - 2 PRODUCTION DATE  
Produktionsdatum
  - 3 MATERIAL MARKING ACC. TO VDA 260  
Werkstoffkennzeichnung nach
  - 4 BULK PACKAGING IN CORRUGATED BOX  
Schüttgut im Versandkarton
  - 5 FITS TO TYCO COUNTERPART TAB HOUSING, 39POS. AND 62POS.  
1718323, 1718324  
Passend zu TYCO Gegenstecker Flachsteckergehäuse, 39pol. und 62pol.  
1718323, 1718324
  - 6 WARPAGE TO . . . . . PERMITTED  
Verzug zulässig bis . . . . .
  - 7 MALFUNCTION CAUSED BY LACQUER IS NOT COVERED  
BY TYCO WARRANTY  
Funktionsbeeinträchtigung durch Lackieren liegt nicht  
im Einfluss und Gewährleistungsumfang von TYCO

| TYCO ORDER-NO.<br>Tyco Bestell-Nr. | REV. | QTY<br>Anzahl | MAT.     | COLOUR<br>Farbe       | DESCRIPTION<br>Beschreibung          | ITEM |
|------------------------------------|------|---------------|----------|-----------------------|--------------------------------------|------|
| 1718328-1                          | A    | 1             | PBT-GF20 | FLAME RED<br>Feuerrot | FIXING SLIDE<br>Befestigungsschieber | 1    |

|  |  |  |  |   |   |
|--|--|--|--|---|---|
| DIMENSIONS<br>MASSEINHEITEN:<br>mm     |  | TOLERANCES, UNLESS<br>OTHERWISE SPECIFIED:<br>ALL DIMENSIONS |  | DWN<br>F. Ellrod<br>18FEB2004   | tyco Electronics<br>Tyco Electronics AMP GmbH<br>D - 64625 Bensheim     |
| MATERIAL<br>SEE TABLE<br>siehe Tabelle |  | FINISH/BEFLÄCHE/FARBE<br>SEE TABLE<br>siehe Tabelle          |  | NAME<br>FIXING SLIDE FOR TAB HOUSING<br>2.8MM TAB 39POS., 1.5/2.8MM TAB 62POS.<br>Befestigungsschieber fuer Flachsteckergehäuse<br>2.8mm Flachstecker 39pol., 1.5/2.8mm Flachstecker 62pol. | PRODUCT SPEC<br>PRODUKTSPEZ.<br>APPLICATION SPEC.<br>VERARBEITUNGSSPEZ. |
| WEIGHT<br>GEWICHT<br>14 g              |  | SIZE<br>14 g   |  | SCALE<br>MASSSTAB<br>2:1  | SHEET<br>BLATT<br>1 OF<br>VON 1   |