



Chipsmall Limited consists of a professional team with an average of over 10 year of expertise in the distribution of electronic components. Based in Hongkong, we have already established firm and mutual-benefit business relationships with customers from,Europe,America and south Asia,supplying obsolete and hard-to-find components to meet their specific needs.

With the principle of “Quality Parts,Customers Priority,Honest Operation,and Considerate Service”,our business mainly focus on the distribution of electronic components. Line cards we deal with include Microchip,ALPS,ROHM,Xilinx,Pulse,ON,Everlight and Freescale. Main products comprise IC,Modules,Potentiometer,IC Socket,Relay,Connector.Our parts cover such applications as commercial,industrial, and automotives areas.

We are looking forward to setting up business relationship with you and hope to provide you with the best service and solution. Let us make a better world for our industry!



Contact us

Tel: +86-755-8981 8866 Fax: +86-755-8427 6832

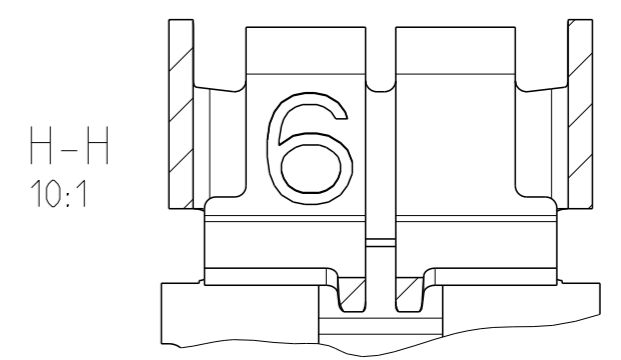
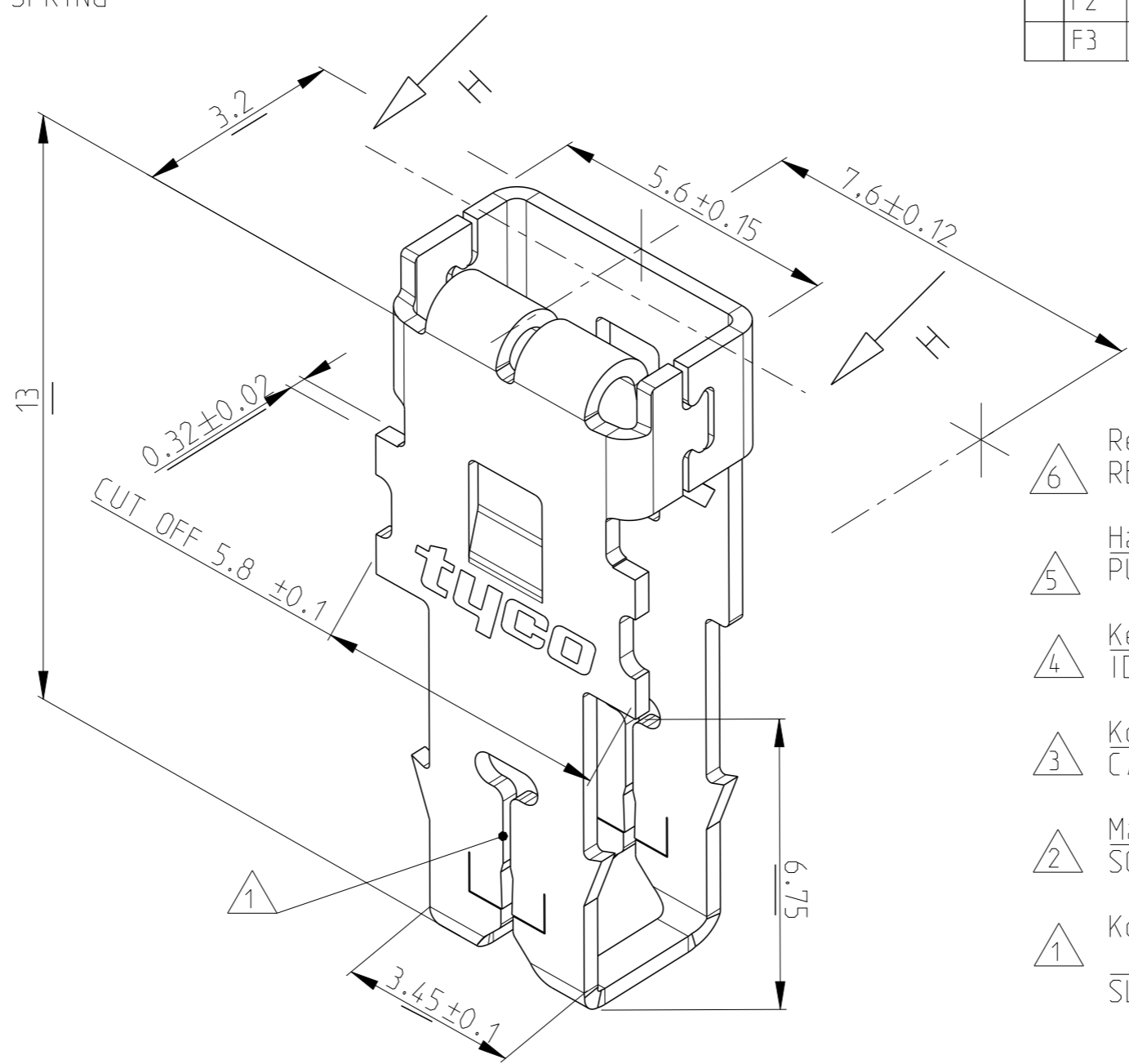
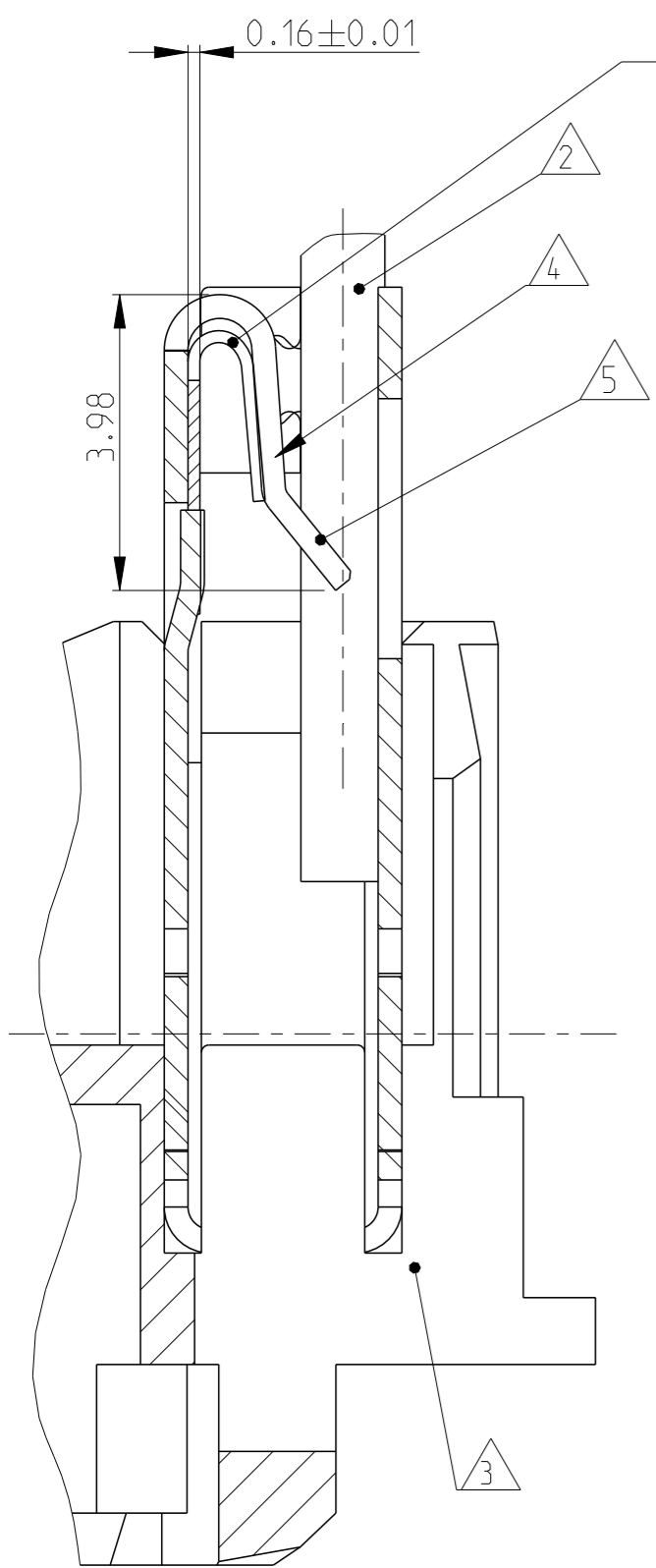
Email & Skype: info@chipsmall.com Web: www.chipsmall.com

Address: A1208, Overseas Decoration Building, #122 Zhenhua RD., Futian, Shenzhen, China



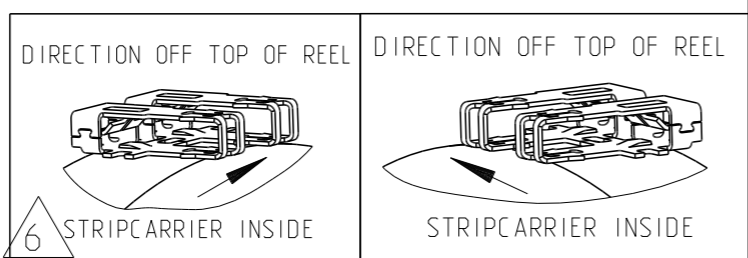
THIS DRAWING IS UNPUBLISHED. RELEASED FOR PUBLICATION 2003
 © COPYRIGHT 2003 ALL RIGHTS RESERVED.

LOC	DIST	REVISIONS			
P	LTR	DESCRIPTION	DATE	DWN	APVD
	F	SPRING CHANGED	08SEP2005	Ba.	T.G
	F1	PROD. AND APPL. SPEC UPDATED	12AUG2011	PKS	RRP
	F2	NOTE 1 UPDATED	08NOV2011	PKS	RRP
	F3	NOTE 1 UPDATED FOR AL WIRE RANGE	04SEP2013	PKS	RRP



- △6 Reelrichtung mit Vorstrichzahl (1-)
REEL DIRECTION WITH PREFIX (1-) ONLY
- △5 Haltekraft Kontaktfeder: min 20N
PULL OFF FORCE CONTACTSPRING: min 20N
- △4 Kennziffer fuer Lackdrahtbereich (6)
IDENTIFICATION NO. FOR MAGNET WIRE RANGE (6)
- △3 Kontakt-Kammer nach Zeichnung EGGJN03538-0010
CAVITY ACCORDING DWG EGGJN03538-0010
- △2 Massivleitung 0,5mm² ... 1,0mm²
SOLID WIRE 0.5mm² ... 1.0mm²
- △1 Kontakte geeignet fuer Cu-Lackdraht Ø0.26...0.39mm
Al-Lackdraht Ø0.32...0.45mm
SLOT ACCEPTS: Cu MAGNET WIRE Ø0.26...0.39mm
Al MAGNET WIRE Ø0.32...0.45mm

1-1718707-1	F	-	CuNiSi	Pretinned	MAG MATE TERMINAL	-
0-1718707-1	F	-	CuNiSi	Pretinned	MAG MATE TERMINAL	-
PART NO △6	REV.	PCS.	MATERIAL	SURFACE COLOR	DESCRIPTION	ITEM NO



THIS DRAWING IS A CONTROLLED DOCUMENT.		DWN T.Tschoeke 20JAN2004
DIMENSIONS: mm		CHK H.Ploesser 20JAN2004
TOLERANCES UNLESS OTHERWISE SPECIFIED:		APVD T.Gerlach 08SEP2005
0 PLC	±	} ±0.2
1 PLC	±	
2 PLC	±	
3 PLC	±	
4 PLC	±	
ANGLES	±1°	
MATERIAL CuNiSi/SPRING STEEL	FINISH PRETINNED/PLAIN	PRODUCT SPEC 108-2012
		APPLICATION SPEC 114-2046
		WEIGHT -

STE TE Connectivity			
NAME MAG MATE TERMINAL WITH WIRE LOCKING FEATURE			
SIZE A3	CAGE CODE 00779	DRAWING NO C-1718707	RESTRICTED TO -
Customer Drawing		SCALE 10:1	SHEET 1 OF 1
		REV F3	