



Chipsmall Limited consists of a professional team with an average of over 10 year of expertise in the distribution of electronic components. Based in Hongkong, we have already established firm and mutual-benefit business relationships with customers from,Europe,America and south Asia,supplying obsolete and hard-to-find components to meet their specific needs.

With the principle of “Quality Parts,Customers Priority,Honest Operation,and Considerate Service”,our business mainly focus on the distribution of electronic components. Line cards we deal with include Microchip,ALPS,ROHM,Xilinx,Pulse,ON,Everlight and Freescale. Main products comprise IC,Modules,Potentiometer,IC Socket,Relay,Connector.Our parts cover such applications as commercial,industrial, and automotives areas.

We are looking forward to setting up business relationship with you and hope to provide you with the best service and solution. Let us make a better world for our industry!



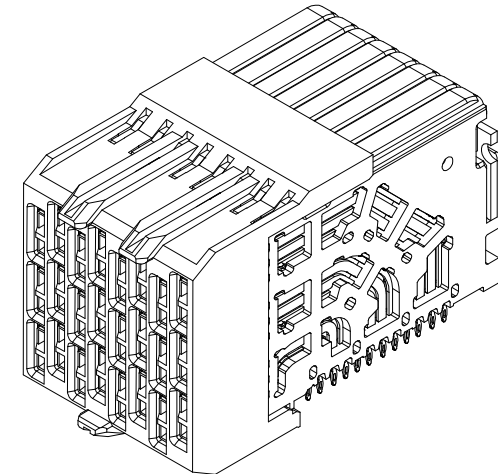
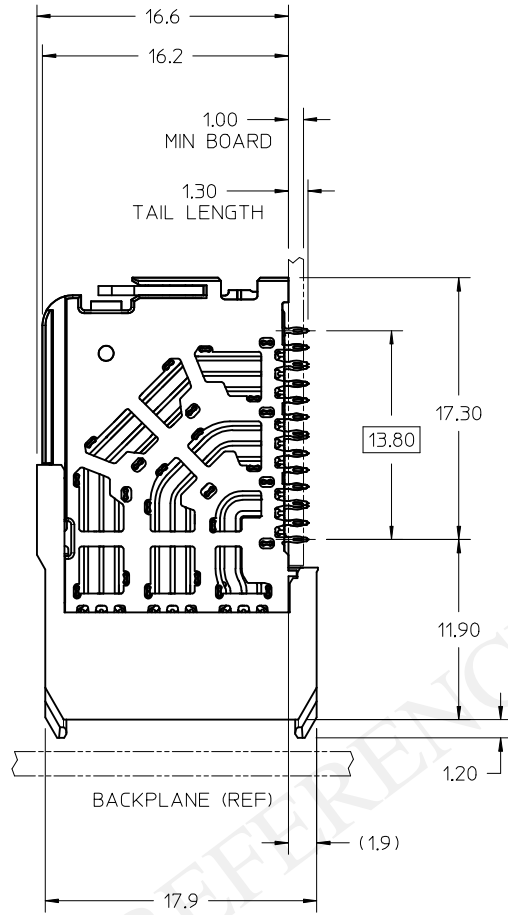
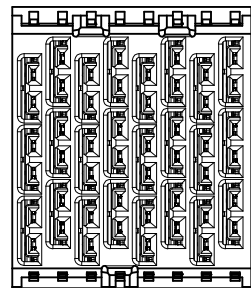
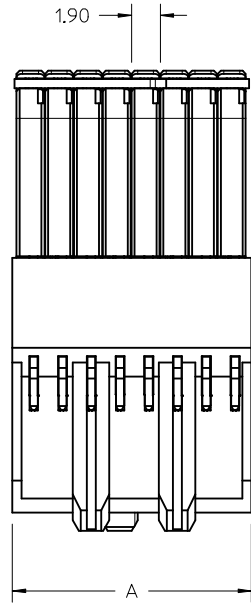
## Contact us

Tel: +86-755-8981 8866 Fax: +86-755-8427 6832

Email & Skype: info@chipsmall.com Web: www.chipsmall.com

Address: A1208, Overseas Decoration Building, #122 Zhenhua RD., Futian, Shenzhen, China





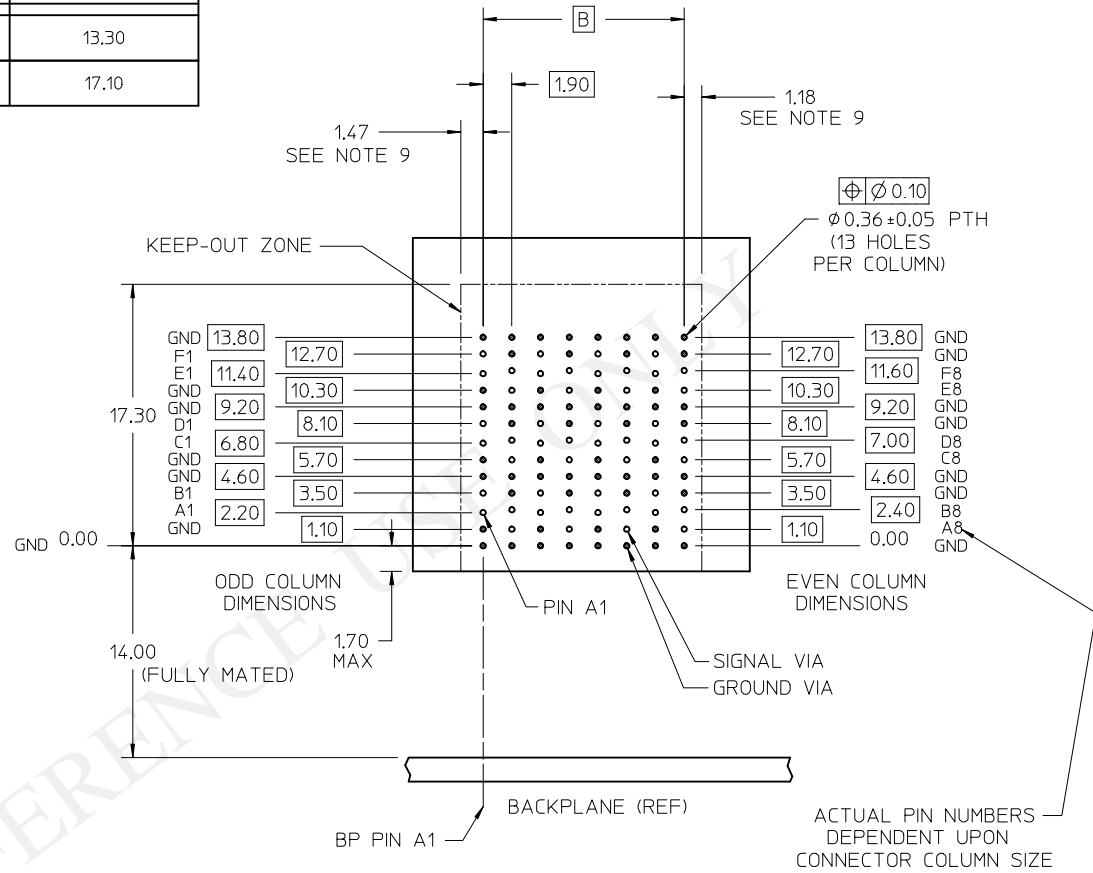
NOTES:

1. MATERIALS: HOUSING - LIQUID CRYSTAL POLYMER (LCP)  
GLASS-FILLED, UL94V-0  
TERMINALS - HIGH PERFORMANCE COPPER ALLOY
2. FINISH: 30uIN GOLD IN CONTACT AREA.  
SELECTIVE TIN ON PCB TAILS.  
NICKEL OVERALL.
3. REFER TO MOLEX PRODUCT SPECIFICATION PS-171320-999 FOR PERFORMANCE SPECIFICATIONS.
4. THIS PART CONFORMS TO CLASS B REQUIREMENTS OF MOLEX COSMETIC SPEC PS-45499-002.
5. PRODUCT WILL BE PACKAGED PER PK-78888-083.
6. SEE SHEET 2 FOR HOLE PATTERN DIMENSIONS.
7. MATES WITH IMPEL BP SERIES NUMBER 171335.
8. REFER TO IMPEL PCB ROUTING GUIDE AS-171320-990 FOR ANTIPAD, ROUTING RECOMMENDATIONS, AND ADDITIONAL PCB INFORMATION.
9. WHEN STACKING MODULES END TO END, THE MINIMUM COLUMN TO COLUMN HOLE SPACING IS 2.65mm.

FOR REFERENCE USE

ADDED 10C EC NO: UCP2014-1910 DRW: B.JANOWIAK 2013/11/19 CHKD: APPR: B.JANOWIAK 2013/11/19 REV: 2	DESCRIPTION IMPPEL DAUGHTERCARD ASSY	QUALITY SYMBOLS	GENERAL TOLERANCES (UNLESS SPECIFIED)	DIMENSION STYLE	SCALE	DESIGN UNITS	THIRD ANGLE PROJECTION	
		▽ = 0	mm INCH	MM ONLY	4:1	METRIC	☉	
		▽ = 0	4 PLACES ± --- ± ---	DRAWN BY DATE	TITLE			
		▽ = 0	3 PLACES ± --- ± ---	JLAURX 2013/04/02	IMPEL DAUGHTERCARD ASSY			
		2 PLACES ± 0.13 ± ---	CHECKED BY DATE	3 PAIR - 1.9MM PITCH				
		1 PLACE ± 0.25 ± ---	APPROVED BY DATE	UNGUIDED SALES DRAWING				
		0 PLACE ± --- ± ---	JLAURX 2013/04/03	molex				
		ANGULAR ± 1/2°	MATERIAL NO.	DOCUMENT NO.		SHEET NO.		
		DRAFT WHERE APPLICABLE MUST REMAIN WITHIN DIMENSIONS	SEE CHART	SD-171990-0001		1 OF 2		
			THIS DRAWING CONTAINS INFORMATION THAT IS PROPRIETARY TO MOLEX INCORPORATED AND SHOULD NOT BE USED WITHOUT WRITTEN PERMISSION					

MATERIAL NUMBER	NUMBER OF COLUMNS	NUMBER OF DIFF PAIR	DIM "A"	DIM "B"
171990-1038	8	24	15.95 MAX	13.30
171990-1020	10	30	19.75 MAX	17.10



DAUGHTERCARD HOLE PATTERN  
(CONNECTOR SIDE)

SEE SHEET 1 EC NO: UCP2014-1910 DRW:BJANOWIAK 2013/11/19 CHKD: APPR:BJANOWIAK 2013/11/19	QUALITY SYMBOLS ▽=0 ▽=0 ▽=0	GENERAL TOLERANCES (UNLESS SPECIFIED)	DIMENSION STYLE		SCALE	DESIGN UNITS	THIRD ANGLE PROJECTION
			MM ONLY		4:1	METRIC	
2	DESCRIPTION	DRAFT WHERE APPLICABLE MUST REMAIN WITHIN DIMENSIONS	4 PLACES ± --- ± ---	DRAWN BY	DATE	TITLE IMPEL DAUGHTERCARD ASSY 3 PAIR - 1.9MM PITCH UNGUIDED SALES DRAWING	
			3 PLACES ± --- ± ---	JLAURX	2013/04/02		
2	DESCRIPTION	DRAFT WHERE APPLICABLE MUST REMAIN WITHIN DIMENSIONS	2 PLACES ± 0.13 ± ---	CHECKED BY	DATE	DOCUMENT NO. SD-171990-0001	
			1 PLACE ± 0.25 ± ---	JLAURX	2013/04/03		
2	DESCRIPTION	DRAFT WHERE APPLICABLE MUST REMAIN WITHIN DIMENSIONS	0 PLACE ± --- ± ---	APPROVED BY	DATE	SHEET NO. 2 OF 2	
			ANGULAR ±1/2°	JLAURX	2013/04/03		
SIZE			SEE CHART		THIS DRAWING CONTAINS INFORMATION THAT IS PROPRIETARY TO MOLEX INCORPORATED AND SHOULD NOT BE USED WITHOUT WRITTEN PERMISSION		