



Chipsmall Limited consists of a professional team with an average of over 10 year of expertise in the distribution of electronic components. Based in Hongkong, we have already established firm and mutual-benefit business relationships with customers from,Europe,America and south Asia,supplying obsolete and hard-to-find components to meet their specific needs.

With the principle of “Quality Parts,Customers Priority,Honest Operation,and Considerate Service”,our business mainly focus on the distribution of electronic components. Line cards we deal with include Microchip,ALPS,ROHM,Xilinx,Pulse,ON,Everlight and Freescale. Main products comprise IC,Modules,Potentiometer,IC Socket,Relay,Connector.Our parts cover such applications as commercial,industrial, and automotives areas.

We are looking forward to setting up business relationship with you and hope to provide you with the best service and solution. Let us make a better world for our industry!



## Contact us

Tel: +86-755-8981 8866 Fax: +86-755-8427 6832

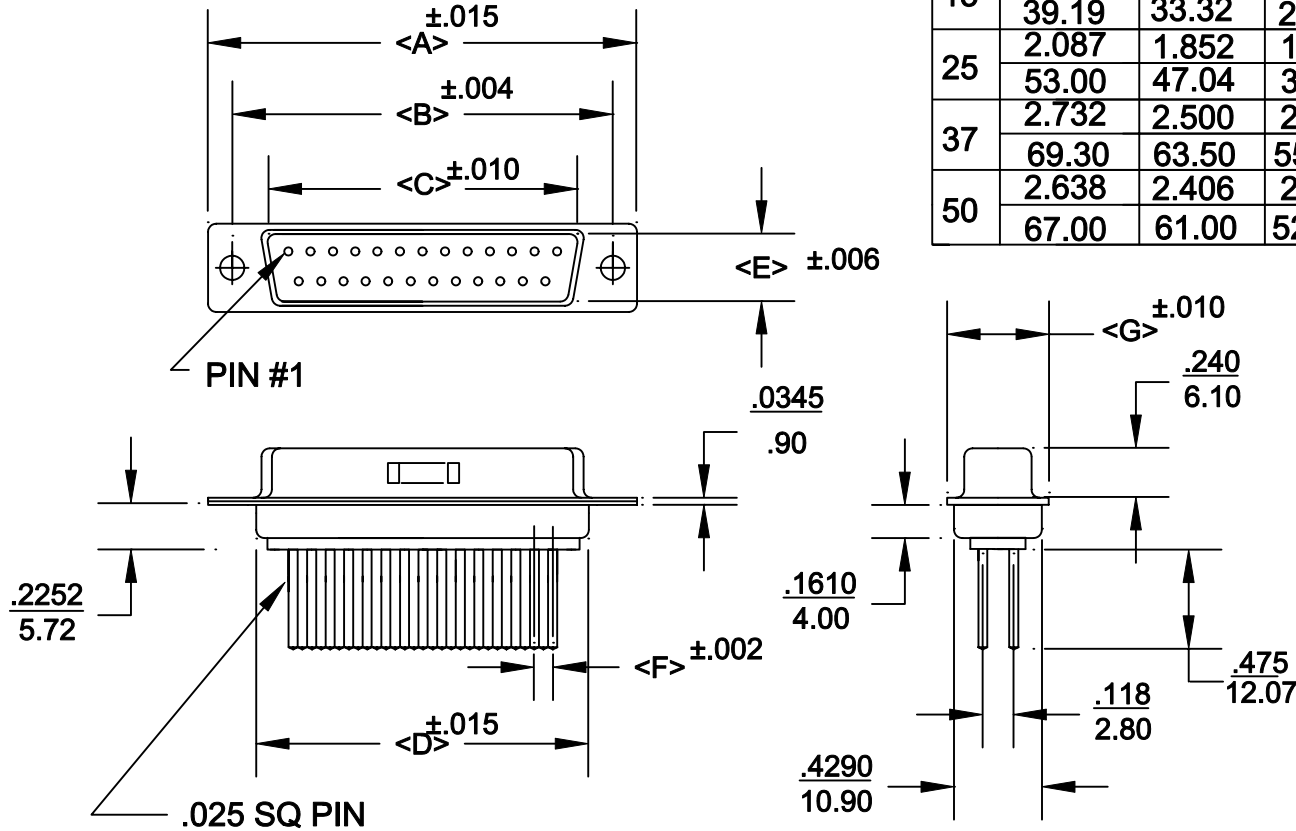
Email & Skype: info@chipsmall.com Web: www.chipsmall.com

Address: A1208, Overseas Decoration Building, #122 Zhenhua RD., Futian, Shenzhen, China



DESCRIPTION: **MACHINED WIRE WRAP MALE**

POS.	A	B	C	D	E	F	G
09	1.213	0.984	0.666	0.756	0.329	0.109	0.496
	30.80	24.99	16.92	19.20	8.36	2.77	12.60
15	1.543	1.312	0.994	1.091	0.329	0.109	0.496
	39.19	33.32	25.25	27.70	8.36	2.77	12.60
25	2.087	1.852	1.534	1.618	0.329	0.109	0.496
	53.00	47.04	38.96	41.10	8.36	2.77	12.60
37	2.732	2.500	2.181	2.256	0.329	0.109	0.496
	69.30	63.50	55.42	57.30	8.36	2.77	12.60
50	2.638	2.406	2.079	2.169	0.445	0.109	0.606
	67.00	61.00	52.80	55.10	11.30	2.77	15.39



172-XXX-14X-XX1

SERIES \_\_\_\_\_  
 POSITIONS \_\_\_\_\_  
 009 \_\_\_\_\_  
 015 \_\_\_\_\_  
 025 \_\_\_\_\_  
 037 \_\_\_\_\_  
 050 \_\_\_\_\_  
 GENDER \_\_\_\_\_  
 1 = MALE  
 2 = FEMALE  
 TERMINATION \_\_\_\_\_  
 4 = WIRE WRAP  
 SHELL PLATING \_\_\_\_\_  
 1 = YELLOW CHROMATE  
 2 = TIN  
 HARDWARE OPTIONS \_\_\_\_\_  
 00 = NO HARDWARE  
 01 = .065 4-40 CLINCH NUT BOARD SIDE  
 02 = .250 4-40 CLINCH NUT BOARD SIDE  
 03 = .250 4-40 CLINCH NUT MATING SIDE  
 PLATING OPTIONS \_\_\_\_\_  
 01 = GOLD FLASH

**SPECIFICATIONS:**

**MATERIALS:**

SHELL: STEEL, TIN OR YELLOW CHROMATE PLATED  
 INSULATOR: UL 94V-0 RATED BEIGE PBT  
 +30% FIBER-GLASS OR NYLON-66

**ELECTRICALS:**

CURRENT RATING: 5 AMPS  
 CONTACT RESISTANCE: 15 mOHMS MAX  
 INSULATOR RESISTANCE: 1000 MOHMS MIN  
 VOLTAGE: 500V AC FOR 1 MINUTE  
 TEMPERATURE: -50°C TO +100°C



THESE DRAWINGS AND SPECIFICATIONS ARE THE PROPERTY OF NorComp AND SHALL NOT BE REPRODUCED, COPIED OR USED AS THE BASIS FOR THE MANUFACTURE OR SALE OF APPARATUS WITHOUT WRITTEN PERMISSION.

DRAWN: **PAM JENKINS**

DATE: **8-12-98**

CHECKED:

DATE:

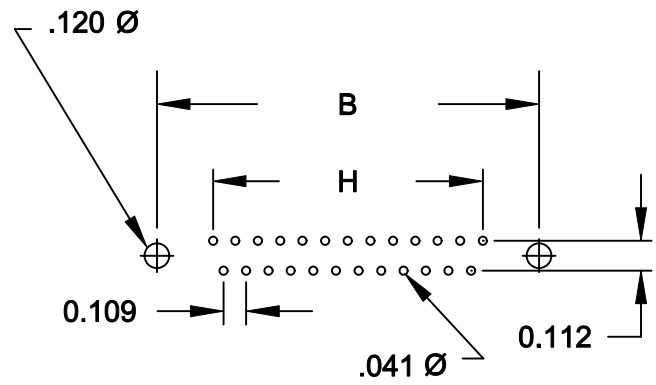
**NorComp**

SCALE: SHEET OF REV **3**

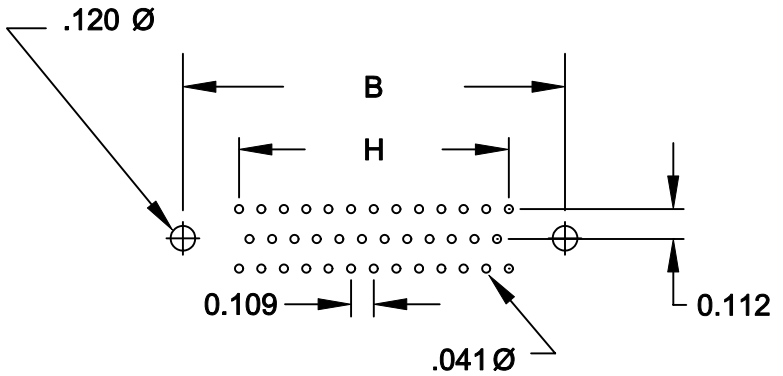
DWG NO. **172-XXX-14X-XX1**

DESCRIPTION:


POS	B	H
9	<u>.984</u> 25.00	<u>.433</u> 10.99
15	<u>1.312</u> 33.32	<u>.757</u> 19.23
25	<u>1.852</u> 47.04	<u>1.305</u> 33.15
37	<u>2.500</u> 63.50	<u>1.957</u> 49.71
50	<u>2.406</u> 61.11	<u>1.740</u> 44.20



(9, 15, 25, 37 POSITIONS)

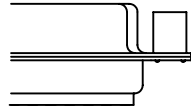


(50 POSITION)

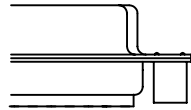
	THESE DRAWINGS AND SPECIFICATIONS ARE THE PROPERTY OF NorComp AND SHALL NOT BE REPRODUCED, COPIED OR USED AS THE BASIS FOR THE MANUFACTURE OF SALE OF APPARATUS WITHOUT WRITTEN PERMISSION.		DRAWN: PAM JENKINS	DATE: 3-30-01
	NorComp		CHECKED:	DATE:
SCALE:			SHEET 2 OF 2	REV 3
DWG NO.			DSUB VERTICAL FOOTPRINT	

**DESCRIPTION:** CLINCH NUT HARDWARE

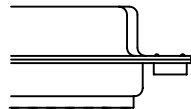
ALL CLINCH-NUTS ARE 4-40 INTERNAL THREADS



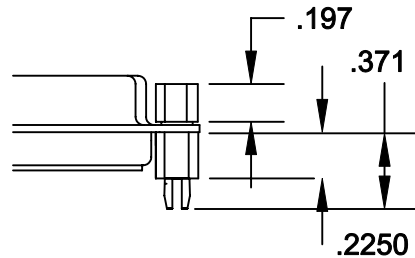
03X..... .250" (MATING SIDE) - CN8



02X ..... .250" (BOARD SIDE) - CN2



01X ..... .065" (BOARD SIDE) - CN1



91X ..... .225" (BOARD SIDE) - .197 MATING SIDE - CN10/SFS0440

NOTE: 4-40 FEMALE SCREW LOCK IS REMOVABLE



THESE DRAWINGS AND SPECIFICATIONS ARE THE PROPERTY OF NorComp AND SHALL NOT BE REPRODUCED, COPIED OR USED AS THE BASIS FOR THE MANUFACTURE OF SALE OF APPARATUS WITHOUT WRITTEN PERMISSION.

DRAWN:  
WAYNE ROBBINS

DATE:  
8-23-98

CHECKED:  
PAM JENKINS

DATE:  
8-24-98

**NorComp**

SCALE:	SHEET 1 OF 1	REV 3
--------	--------------	-------

DWG NO. CLINCH-NUT OPTIONS