



Chipsmall Limited consists of a professional team with an average of over 10 year of expertise in the distribution of electronic components. Based in Hongkong, we have already established firm and mutual-benefit business relationships with customers from,Europe,America and south Asia,supplying obsolete and hard-to-find components to meet their specific needs.

With the principle of “Quality Parts,Customers Priority,Honest Operation,and Considerate Service”,our business mainly focus on the distribution of electronic components. Line cards we deal with include Microchip,ALPS,ROHM,Xilinx,Pulse,ON,Everlight and Freescale. Main products comprise IC,Modules,Potentiometer,IC Socket,Relay,Connector.Our parts cover such applications as commercial,industrial, and automotives areas.

We are looking forward to setting up business relationship with you and hope to provide you with the best service and solution. Let us make a better world for our industry!



Contact us

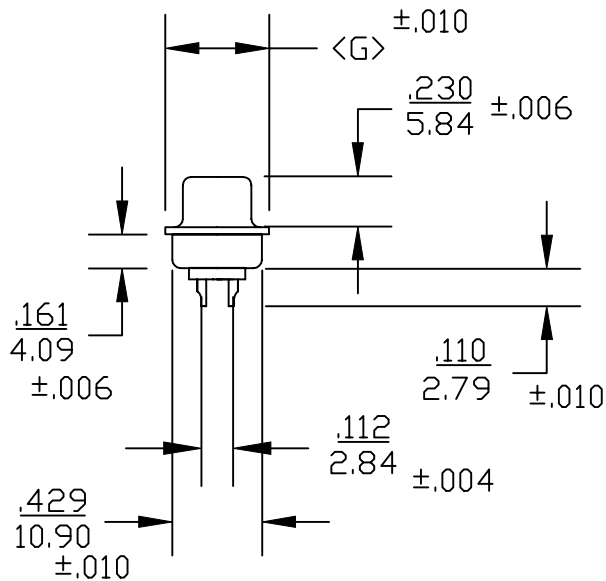
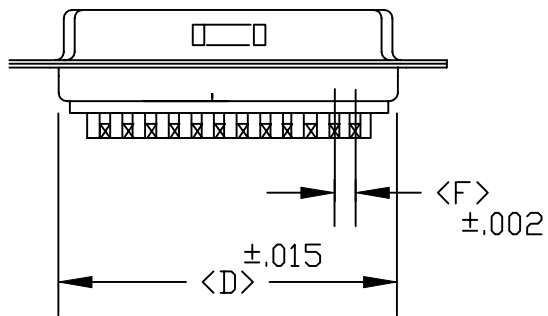
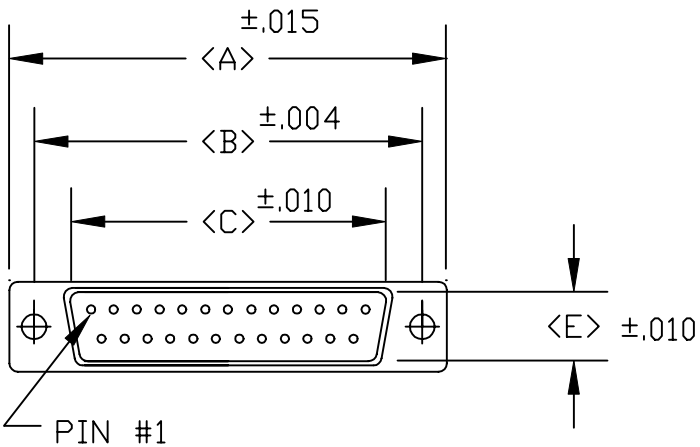
Tel: +86-755-8981 8866 Fax: +86-755-8427 6832

Email & Skype: info@chipsmall.com Web: www.chipsmall.com

Address: A1208, Overseas Decoration Building, #122 Zhenhua RD., Futian, Shenzhen, China



DESCRIPTION: **MALE SOLDER CUP/MACHINED- PREMIUM**



POS.	A	B	C	D	E	F	G
09	1.213	0.984	0.666	0.756	0.329	.109	0.496
	30.80	24.99	16.92	19.20	8.36	2.77	12.60
15	1.543	1.312	0.994	1.091	0.329	.109	0.496
	39.19	33.32	25.25	27.70	8.36	2.77	12.60
25	2.087	1.852	1.534	1.618	0.329	.109	0.496
	53.00	47.04	38.96	41.10	8.36	2.77	12.60
37	2.732	2.500	2.181	2.256	0.329	.109	0.496
	69.30	63.50	55.42	57.30	8.36	2.77	12.60
50	2.638	2.406	2.079	2.169	.436	.109	.602
	67.00	61.00	52.80	55.10	11.07	2.77	15.30

172-XXX-10X-XX1

SERIES _____

POSITIONS _____

009 _____

015 _____

025 _____

037 _____

050 _____

GENDER _____

1 = MALE

2 = FEMALE

TERMINATION _____

0 = SOLDER CUP

SHELL PLATING _____

1 = YELLOW CHROMATE

2 = TIN

HARDWARE OPTIONS _____

00 = NO HARDWARE

01 = .065 4-40 CLINCH NUT BOARD SIDE

02 = .250 4-40 CLINCH NUT BOARD SIDE

03 = .250 4-40 CLINCH NUT MATING SIDE

PLATING OPTIONS _____

1 = GOLD FLASH

2 = 30 MICRO-INCH GOLD

SPECIFICATIONS:

MATERIALS:

SHELL: STEEL, TIN OR YELLOW CHROMATE PLATED

INSULATOR: UL 94V-0 RATED PBT

+30% FIBER-GLASS OR NYLON-66

CONTACTS: BRASS - 30 MICROINCH GOLD PLATED

ELECTRICALS:

CURRENT RATING: 5 AMPS

CONTACT RESISTANCE: 15 mOHMS MAX

INSULTOR RESISTANCE: 1000 MOHMS MIN

VOLTAGE: 500V AC FOR 1 MINUTE

TEMPERATURE: -50°C TO +100°C

WILL ACCEPT 28-20 AWG CONDUCTORS



THESE DRAWINGS AND SPECIFICATIONS ARE THE PROPERTY OF NorComp AND SHALL NOT BE REPRODUCED, COPIED OR USED AS THE BASIS FOR THE MANUFACTURE OR SALE OF APPARATUS WITHOUT WRITTEN PERMISSION.

DRAWN: **PAM JENKINS**

DATE: **8-24-98**

CHECKED:

DATE:

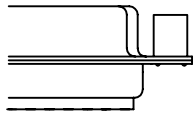
NorComp

SCALE: SHEET OF REV **2**

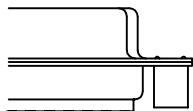
DWG NO. **172-XXX-10X-XX1**

DESCRIPTION: CLINCH NUT HARDWARE

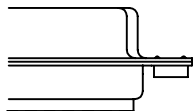
ALL CLINCH-NUTS ARE 4-40 INTERNAL THREADS



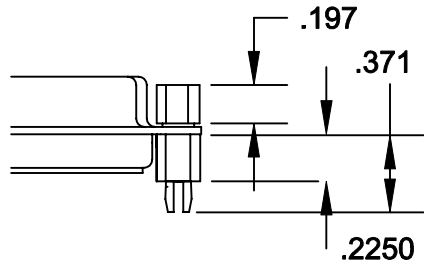
03X..... .250" (MATING SIDE) - CN8



02X250" (BOARD SIDE) - CN2




01X065" (BOARD SIDE) - CN1



91X225" (BOARD SIDE) - .197 MATING SIDE - CN10/SFS0440

NOTE: 4-40 FEMALE SCREW LOCK IS REMOVABLE

	THESE DRAWINGS AND SPECIFICATIONS ARE THE PROPERTY OF NorComp AND SHALL NOT BE REPRODUCED, COPIED OR USED AS THE BASIS FOR THE MANUFACTURE OF SALE OF APPARATUS WITHOUT WRITTEN PERMISSION.		DRAWN: WAYNE ROBBINS	DATE: 8-23-98
			CHECKED: PAM JENKINS	DATE: 8-24-98
<h1>NorComp</h1>			SCALE:	SHEET 1 OF 1
			DWG NO.	
CLINCH-NUT OPTIONS				