



Chipsmall Limited consists of a professional team with an average of over 10 year of expertise in the distribution of electronic components. Based in Hongkong, we have already established firm and mutual-benefit business relationships with customers from,Europe,America and south Asia,supplying obsolete and hard-to-find components to meet their specific needs.

With the principle of “Quality Parts,Customers Priority,Honest Operation,and Considerate Service”,our business mainly focus on the distribution of electronic components. Line cards we deal with include Microchip,ALPS,ROHM,Xilinx,Pulse,ON,Everlight and Freescale. Main products comprise IC,Modules,Potentiometer,IC Socket,Relay,Connector.Our parts cover such applications as commercial,industrial, and automotives areas.

We are looking forward to setting up business relationship with you and hope to provide you with the best service and solution. Let us make a better world for our industry!



Contact us

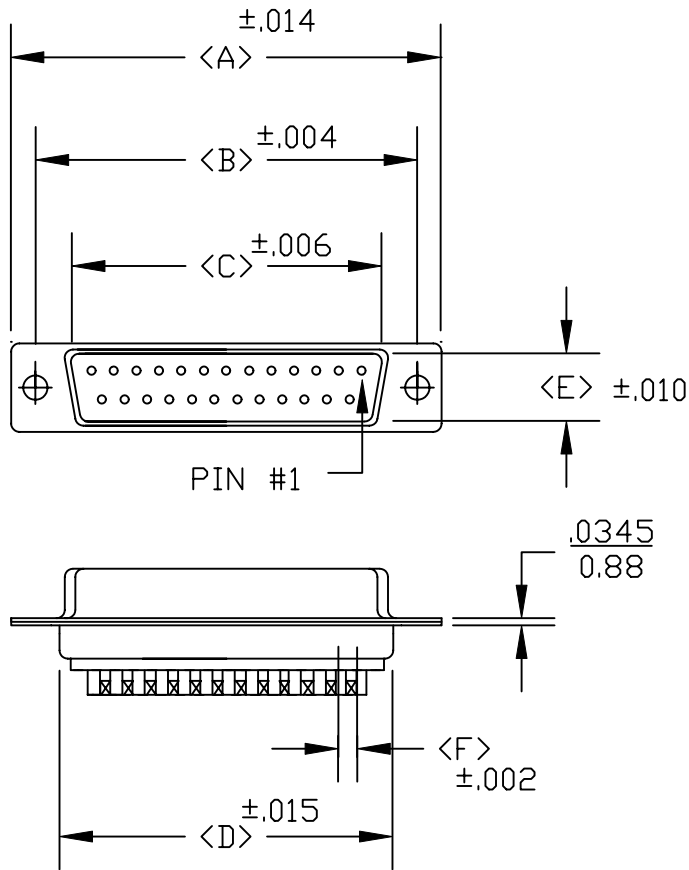
Tel: +86-755-8981 8866 Fax: +86-755-8427 6832

Email & Skype: info@chipsmall.com Web: www.chipsmall.com

Address: A1208, Overseas Decoration Building, #122 Zhenhua RD., Futian, Shenzhen, China

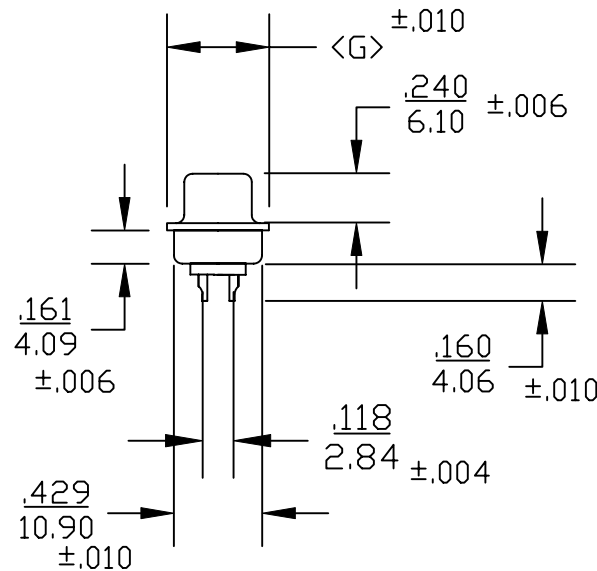


DESCRIPTION: **FEMALE SOLDER CUP/MACHINED- ECONOMY**



POS.	A	B	C	D	E	F	G
09	1.213	0.984	0.666	0.756	0.311	.109	0.496
	30.80	24.99	16.92	19.20	7.90	2.77	12.60
15	1.543	1.312	0.994	1.091	0.311	.109	0.496
	39.19	33.32	25.25	27.70	7.90	2.77	12.60
25	2.087	1.852	1.534	1.618	0.311	.109	0.496
	53.00	47.04	38.96	41.10	7.90	2.77	12.60
37	2.732	2.500	2.181	2.256	0.311	.109	0.496
	69.30	63.50	55.42	57.30	7.90	2.77	12.60
50	2.638	2.406	2.079	2.169	.429	.109	.602
	67.00	61.00	52.80	55.10	10.90	2.77	15.30

3 ROW



172-EXX-10X-XXX

SERIES _____
 POSITIONS _____
 E09
 E15
 E25
 E37
 E50
 GENDER _____
 1 = MALE
 2 = FEMALE
 TERMINATION _____
 0 = SOLDER CUP
 SHELL PLATING _____
 1 = YELLOW CHROMATE
 2 = TIN
 HARDWARE OPTIONS _____
 00 = NO HARDWARE
 01 = .098" (4-40) INSERT BOARD SIDE
 02 = .250" (4-40) INSERT BOARD SIDE
 03 = .250" (4-40) INSERT MATING SIDE
 91 = .225" 4-40 SPACER/BOARD LOCK
 PLATING OPTIONS _____
 01 = GOLD FLASH
 02 = 30 MICRO-INCH GOLD

SPECIFICATIONS:

MATERIALS:

- SHELL: STEEL, TIN OR YELLOW CHROMATE PLATED
- INSULATOR: UL 94V-0 RATED PBT
+30% FIBER-GLASS OR NYLON-66
- CONTACTS: BRASS - 30 MICROINCH GOLD PLATED OR GOLD FLASH

ELECTRICALS:

- CURRENT RATING: 5 AMPS
- CONTACT RESISTANCE: 15 mOHMS MAX
- INSULATOR RESISTANCE: 1000 MOHMS MIN
- VOLTAGE: 500V AC FOR 1 MINUTE
- TEMPERATURE: -50°C TO +100°C



THESE DRAWINGS AND SPECIFICATIONS ARE THE PROPERTY OF NorComp AND SHALL NOT BE REPRODUCED, COPIED OR USED AS THE BASIS FOR THE MANUFACTURE OR SALE OF APPARATUS WITHOUT WRITTEN PERMISSION.

DRAWN: **PAM JENKINS** DATE: **8-22-01**

CHECKED: _____ DATE: _____

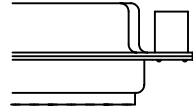
NorComp

SCALE: _____ SHEET OF _____ REV **2**

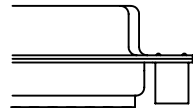
DWG NO. **172-EXX-20X-XXX**

DESCRIPTION: CLINCH NUT HARDWARE

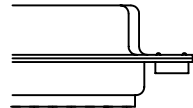
ALL CLINCH-NUTS ARE 4-40 INTERNAL THREADS



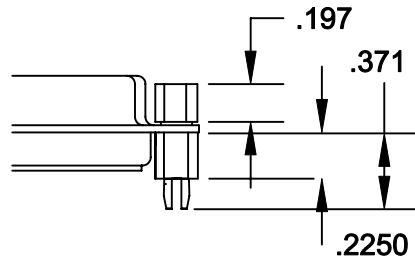
03X..... .250" (MATING SIDE) - CN8



02X250" (BOARD SIDE) - CN2



01X098" (BOARD SIDE) - CN1



91X225" (BOARD SIDE) - .197 MATING SIDE - CN10/SFS0440

NOTE: 4-40 FEMALE SCREW LOCK IS REMOVABLE



THESE DRAWINGS AND SPECIFICATIONS ARE THE PROPERTY OF NorComp AND SHALL NOT BE REPRODUCED, COPIED OR USED AS THE BASIS FOR THE MANUFACTURE OF SALE OF APPARATUS WITHOUT WRITTEN PERMISSION.

DRAWN:
WAYNE ROBBINS

DATE:
8-23-98

CHECKED:
PAM JENKINS

DATE:
8-24-98

NorComp

SCALE:	SHEET 1 OF 1	REV 1
--------	--------------	-------

DWG NO. CLINCH-NUT OPTIONS