



Chipsmall Limited consists of a professional team with an average of over 10 year of expertise in the distribution of electronic components. Based in Hongkong, we have already established firm and mutual-benefit business relationships with customers from,Europe,America and south Asia,supplying obsolete and hard-to-find components to meet their specific needs.

With the principle of “Quality Parts,Customers Priority,Honest Operation,and Considerate Service”,our business mainly focus on the distribution of electronic components. Line cards we deal with include Microchip,ALPS,ROHM,Xilinx,Pulse,ON,Everlight and Freescale. Main products comprise IC,Modules,Potentiometer,IC Socket,Relay,Connector.Our parts cover such applications as commercial,industrial, and automotives areas.

We are looking forward to setting up business relationship with you and hope to provide you with the best service and solution. Let us make a better world for our industry!



Contact us

Tel: +86-755-8981 8866 Fax: +86-755-8427 6832

Email & Skype: info@chipsmall.com Web: www.chipsmall.com

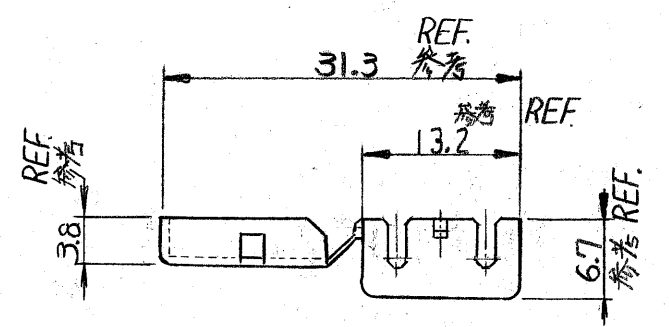
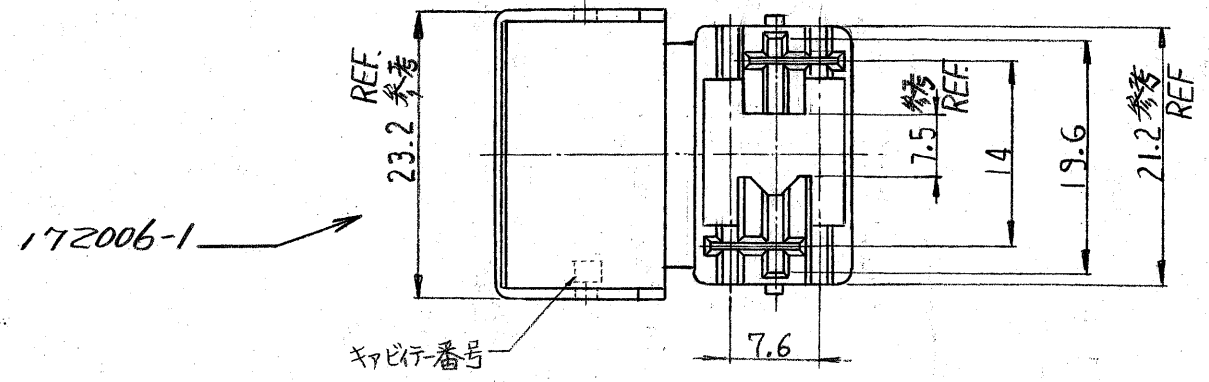
Address: A1208, Overseas Decoration Building, #122 Zhenhua RD., Futian, Shenzhen, China



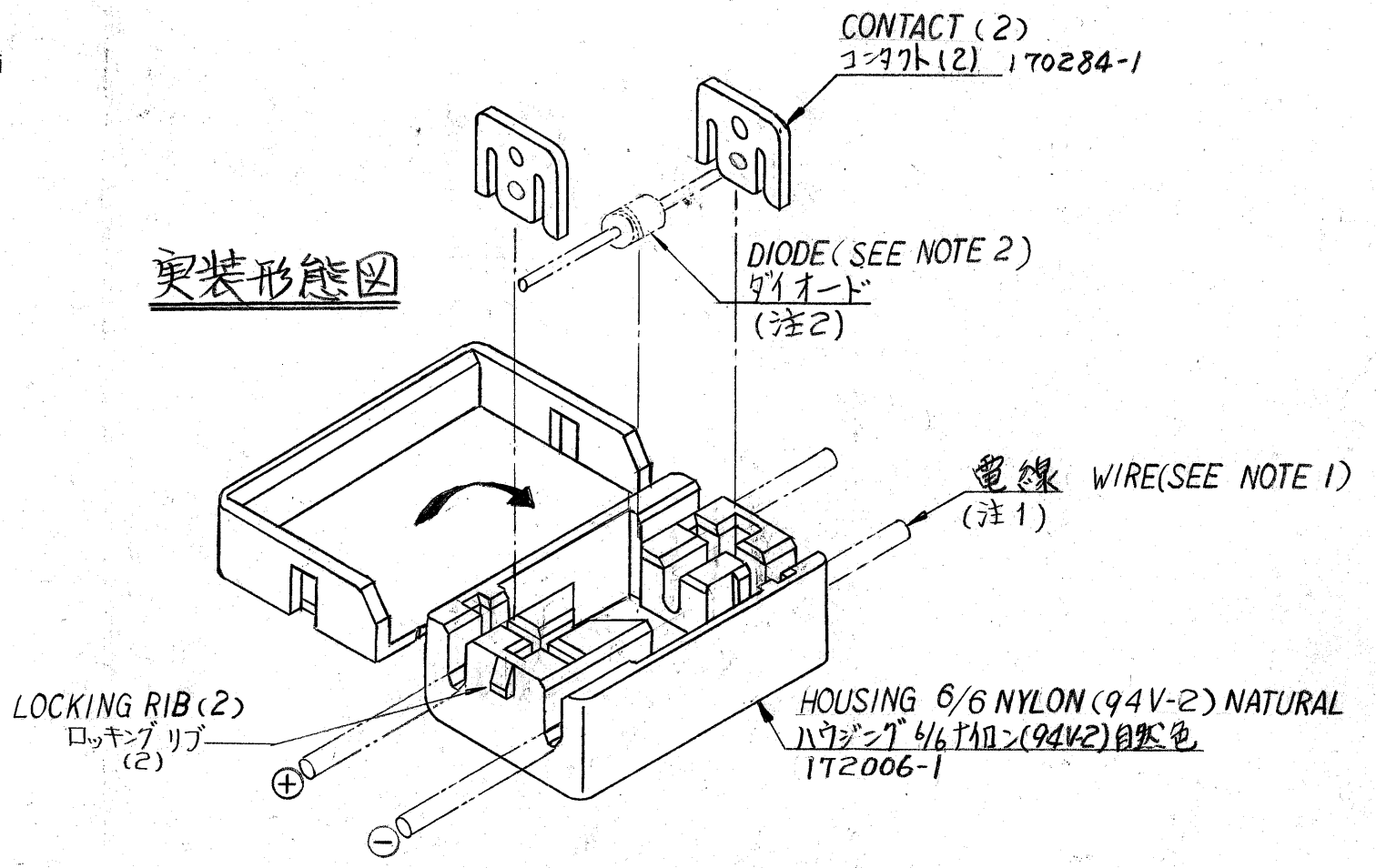
© 1977年 日本エー・エム・ピー株式会社
AMP 社の諸製品は特許又は特許出願中

© 1977 BY AMP (Japan) Ltd.
ALL RIGHTS RESERVED. AMP PRODUCTS COVERED BY PATENTS AND/OR PATENTS PENDING

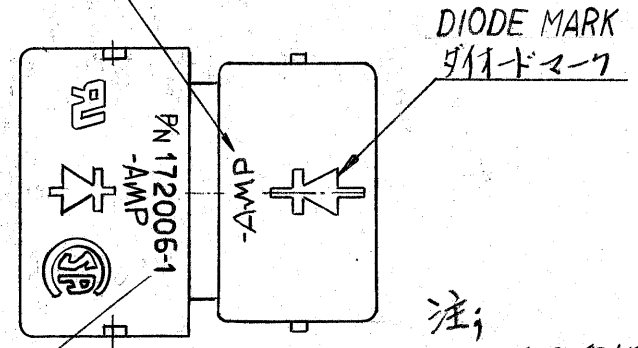
注) 本部品はハウジング及びコンタクト各々梱包されています。



実装形態図



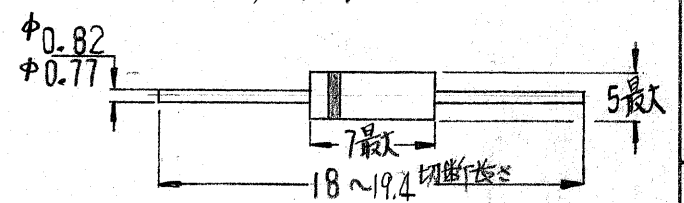
AMP TRADE MARK
アンプトレードマーク



DIODE MARK
ダイオードマーク

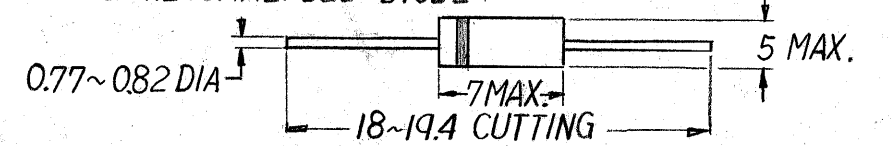
PART NUMBER MARK
製品型番マーク

- 注;
1. 使用電線 UL 1007, AWG #22/#20
 2. 使用ダイオード



3. 製品仕様書 108-5123
4. 取扱説明書 IS-079J

- NOTES: 1 RECOMMENDED WIRE: UL 1007 AWG #22, #20
2 RECOMMENDED DIODE:



- 3 PRODUCT SPEC. NO: 108-5123
- 4 INSTRUCTION SHEET NO: IS-079J

単位: 概 DIMENSIONS IN MM DO NOT SCALE PRINT

C	REVISED (ADDED PKI MARK) J-12100 D.O	9/25/79
B	REVISED J83-7163 A.I.A.J	8/27/83
A	REVISED J8-4861 A.T	2/20/78
O	RELEASED J8-4802 X.Y.A.S	4/27/78
LTR.	変更 (REVISION RECORD)	DR. CHK. DATE

材料 (MATERIAL)	一般公差 TOLERANCE ± 0.3 EXCEPT ± AS NOTED	番号 (NUMBER)
仕上 (FINISH)	DR. <i>X. Yuasa</i> 12/7/77 CHK. <i>A. Jomita</i> 4/27/78 DE. <i>Y. Sato</i> 4/28/78 APP. <i>Y. Sato</i> 4/28/78	名称 (NAME) 火花抑制用コネクタ (SPARK SUPPRESSER CONNECTOR)
	尺度 (SCALE) 1/1	REV. C
	SIZE B LOC J	番号 (NO.) 172006
		SHEET 1/1