



Chipsmall Limited consists of a professional team with an average of over 10 year of expertise in the distribution of electronic components. Based in Hongkong, we have already established firm and mutual-benefit business relationships with customers from,Europe,America and south Asia,supplying obsolete and hard-to-find components to meet their specific needs.

With the principle of "Quality Parts,Customers Priority,Honest Operation,and Considerate Service",our business mainly focus on the distribution of electronic components. Line cards we deal with include Microchip,ALPS,ROHM,Xilinx,Pulse,ON,Everlight and Freescale. Main products comprise IC,Modules,Potentiometer,IC Socket,Relay,Connector.Our parts cover such applications as commercial,industrial, and automotives areas.

We are looking forward to setting up business relationship with you and hope to provide you with the best service and solution. Let us make a better world for our industry!



Contact us

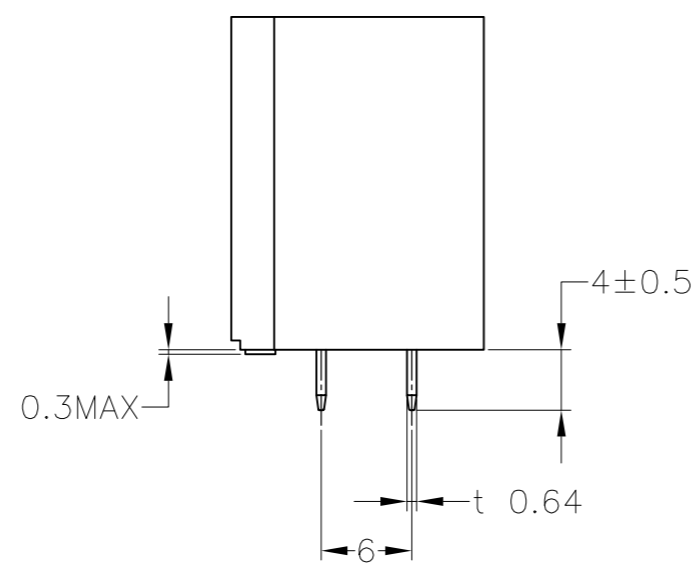
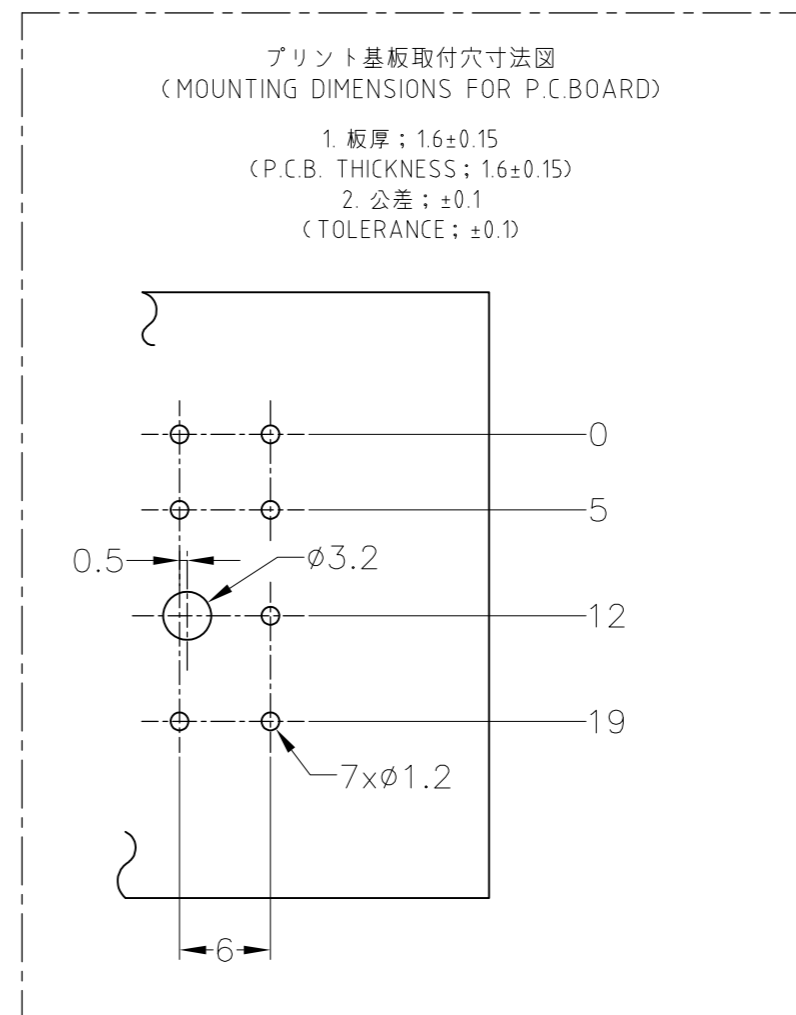
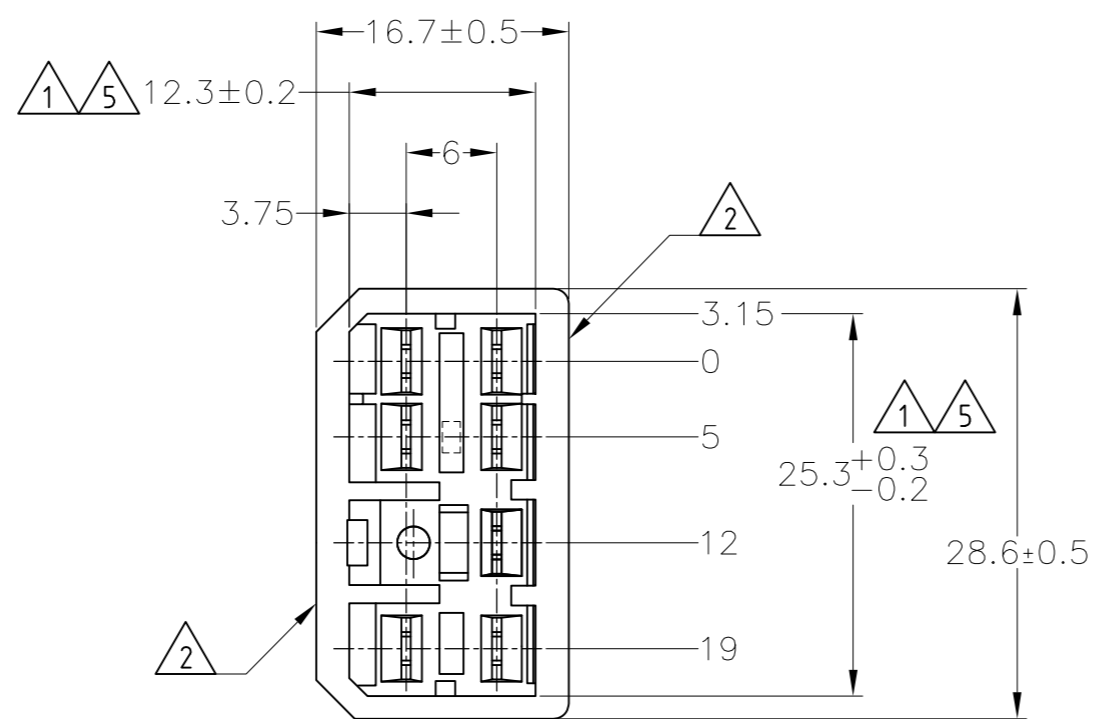
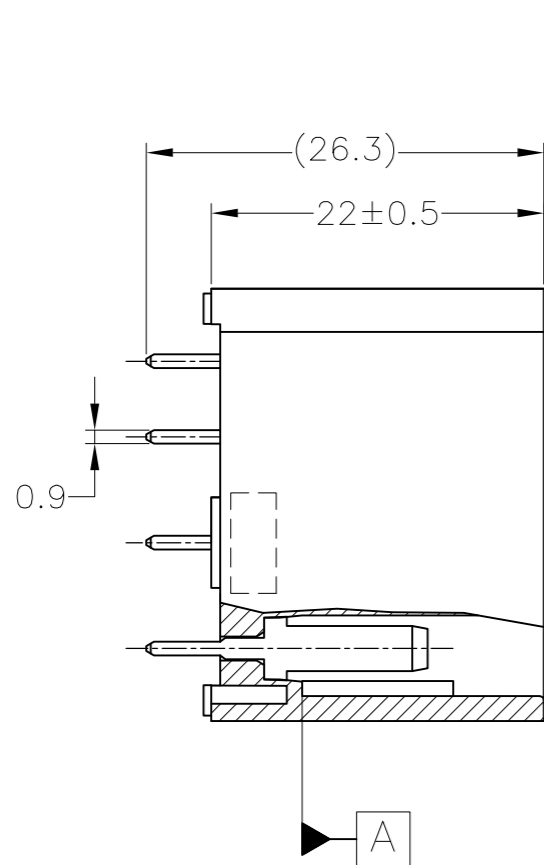
Tel: +86-755-8981 8866 Fax: +86-755-8427 6832

Email & Skype: info@chipsmall.com Web: www.chipsmall.com

Address: A1208, Overseas Decoration Building, #122 Zhenhua RD., Futian, Shenzhen, China



| REVISIONS | | | | |
|-----------|-----|----------------------------------|-----------|-------|
| P | LTR | DESCRIPTION | DATE | APVD |
| E5 | | OBsolete 1--1,2--1 ECR-16-003004 | 01APR2016 | KF RK |



- ① 相手ハウジングと所定の機能を満たして嵌合できること。
- ② フードの反りは0.2以内。
- 3. 推奨取付けねじ: JIS B 1115又は、1122 タッピンねじ
なべ1種、呼び径3を使用し締め付け後半田付けする。
(締め付けトルク: 0.4N-m 以下)
- 4. 適用製品規格: 108-5093
- ⑤ [A] 面より2mmの範囲で測定のこと。
- 6. 相手ハウジングとの嵌合力は、29.4N以下。
但し、リセプタクルコンタクトは含まない。

- ① IN COUPLING WITH THE PLUG HOUSING MATING SATISFIES FUNCTION.
- ② WARPAGE 0.2 MAX.
- 3. RECOMMENDED MOUNTING SCREW; 3mm DIA.
PAN HEAD, CLASS 1 TAPPING SCREW SPECIFIED IN JIS
B1115, B1122 (TORQUE; 0.4N-m MAX.)
- 4. PRODUCT SPEC No.: 108-5093
- ⑤ TO BE MEASURED WITHIN 2mm FROM [A]
- 6. IN COUPLING WITH THE PLUG HOUSING MATING FORCE
29.4N MAX. WITHOUT REC CONTACTS.

| SEE CUSTOMER DRAWING 6-172036-1 | | | 6-172036-1 |
|---------------------------------|----------|------------------------------|-------------|
| OBsolete | PRE-TIN | NATURAL | 2-5172036-1 |
| OBsolete | PRE-TIN | NATURAL | 1-5172036-1 |
| OBsolete | TIN-LEAD | SELECTIVE GOLD (0.38µm MIN.) | 5-172036-1 |
| OBsolete | TIN-LEAD | SELECTIVE GOLD (0.38µm MIN.) | 4-172036-1 |
| OBsolete | TIN-LEAD | SELECTIVE GOLD (0.76µm MIN.) | 2-172036-4 |
| OBsolete | TIN-LEAD | SELECTIVE GOLD (0.76µm MIN.) | 1-172036-4 |
| OBsolete | TIN-LEAD | SELECTIVE GOLD (0.76µm MIN.) | 1-172036-1 |
| OBsolete | PRE-TIN | YELLOW | 172036-7 |
| OBsolete | PRE-TIN | GRAY | 172036-6 |
| OBsolete | PRE-TIN | BLUE | 172036-5 |
| OBsolete | PRE-TIN | GREEN | 172036-4 |
| OBsolete | PRE-TIN | BROWN | 172036-3 |
| | PRE-TIN | BLACK | 172036-2 |
| | PRE-TIN | NATURAL | 172036-1 |
| SOLDERING SIDE 半田付け部 | | CONTACT SIDE 接触部側 | COLOR 色 |
| | | CONTACT FINISH コンタクト仕上 | |
| | | PART NUMBER 製品型番 | |

| | |
|-----------------------------|--|
| 一般公差 (GENERAL TOLERANCE) | 10以下: ±0.2 10未満 30以下: ±0.25 30未満 100以下: ±0.3 角 度: ±3° |
|-----------------------------|--|

THIS DRAWING IS A CONTROLLED DOCUMENT.

| | | | | | | | | | | | | | | | | | |
|--|--|-------------------------------|----------------------------|-----------------------------|--|-------|---|-------|---|-------|---|--------|---|--|--|------------|--------------------|
| DIMENSIONS: 単位: 純 mm | TOLERANCES UNLESS OTHERWISE SPECIFIED 一般公差 | DWN T.SHINOHARA 04OCT05 | CHK K.BETSUI 04OCT05 | APVD K.BETSUI 04OCT05 | NAME 名称 7POSITION V-TYPE CAP HOUSING ASSEMBLY MULTI-INTERLOCK CONNECTOR (WIRE TO P.C.B.) | | | | | | | | | | | | |
| <table border="1"> <tr> <td>0 PLC</td><td>±</td></tr> <tr> <td>1 PLC</td><td>±</td></tr> <tr> <td>2 PLC</td><td>±</td></tr> <tr> <td>3 PLC</td><td>±</td></tr> <tr> <td>4 PLC</td><td>±</td></tr> <tr> <td>ANGLES</td><td>±</td></tr> </table> | | 0 PLC | ± | 1 PLC | ± | 2 PLC | ± | 3 PLC | ± | 4 PLC | ± | ANGLES | ± | PRODUCT SPEC 製品規格 SEE NOTE 4 APPLICATION SPEC 取付適用規格 | | SIZE A2 | CAGE CODE 00779 |
| 0 PLC | ± | | | | | | | | | | | | | | | | |
| 1 PLC | ± | | | | | | | | | | | | | | | | |
| 2 PLC | ± | | | | | | | | | | | | | | | | |
| 3 PLC | ± | | | | | | | | | | | | | | | | |
| 4 PLC | ± | | | | | | | | | | | | | | | | |
| ANGLES | ± | | | | | | | | | | | | | | | | |
| MATERIAL 材料 HOUSING: 66 NYLON CONTACT: BRASS | | FINISH 仕上 SEE TABLE | | WEIGHT 0 | DRAWING NO 番号 C=172036 | | | | | | | | | | | | |
| CUSTOMER DRAWING | | | SCALE 尺度 2:1 | SHEET 1 of 1 | REV E5 | | | | | | | | | | | | |

TE Connectivity