



Chipsmall Limited consists of a professional team with an average of over 10 year of expertise in the distribution of electronic components. Based in Hongkong, we have already established firm and mutual-benefit business relationships with customers from,Europe,America and south Asia,supplying obsolete and hard-to-find components to meet their specific needs.

With the principle of “Quality Parts,Customers Priority,Honest Operation,and Considerate Service”,our business mainly focus on the distribution of electronic components. Line cards we deal with include Microchip,ALPS,ROHM,Xilinx,Pulse,ON,Everlight and Freescale. Main products comprise IC,Modules,Potentiometer,IC Socket,Relay,Connector.Our parts cover such applications as commercial,industrial, and automotives areas.

We are looking forward to setting up business relationship with you and hope to provide you with the best service and solution. Let us make a better world for our industry!



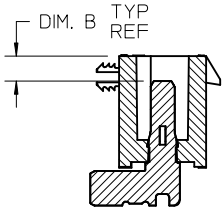
Contact us

Tel: +86-755-8981 8866 Fax: +86-755-8427 6832

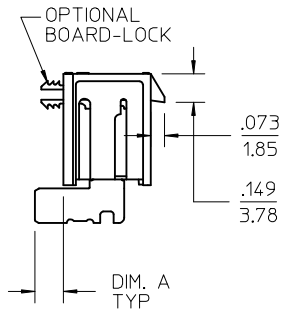
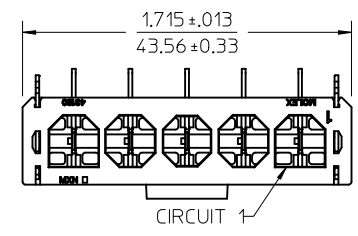
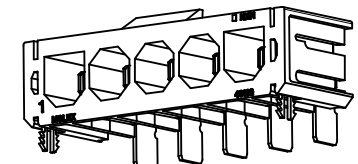
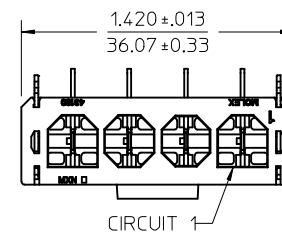
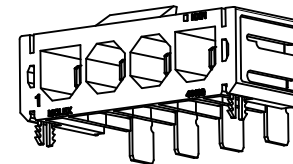
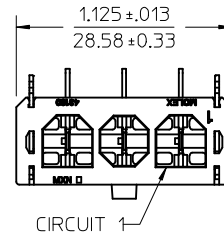
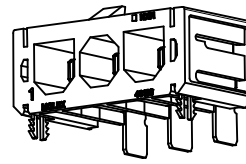
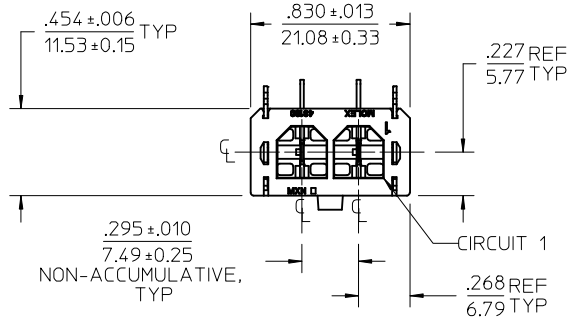
Email & Skype: info@chipsmall.com Web: www.chipsmall.com

Address: A1208, Overseas Decoration Building, #122 Zhenhua RD., Futian, Shenzhen, China

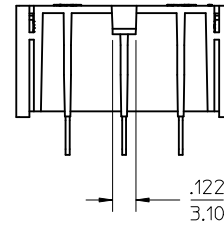
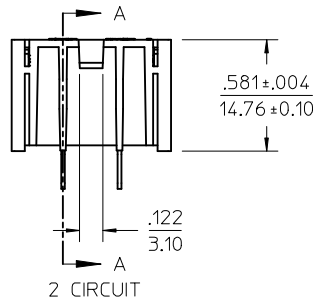




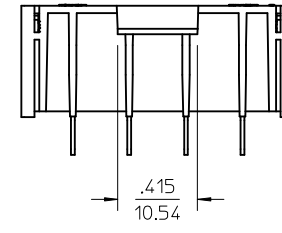
SECTION A-A
TYP



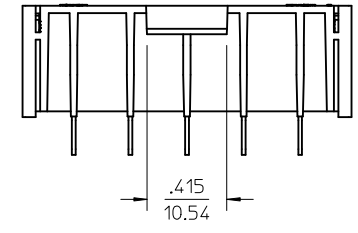
SIDE VIEW, TYP



3 CIRCUIT



4 CIRCUIT



5 CIRCUIT

NOTES:

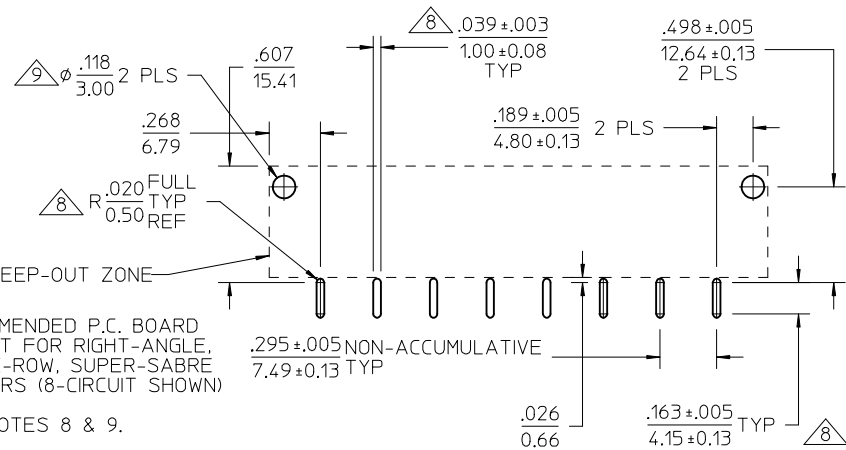
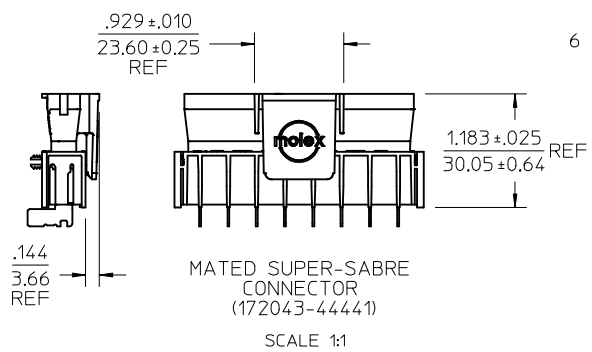
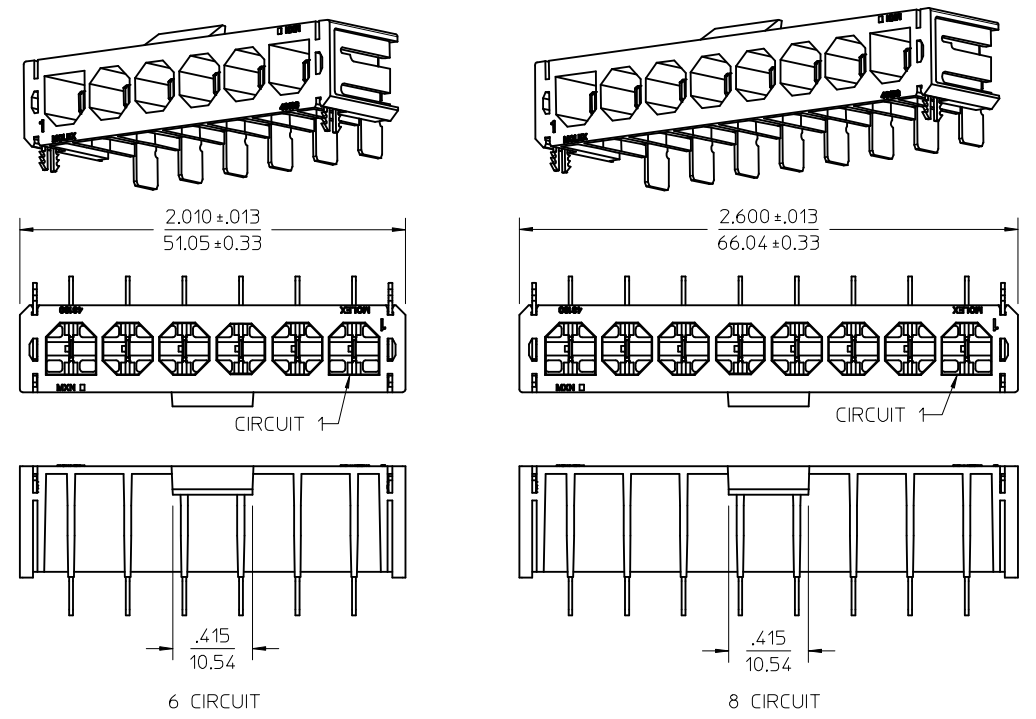
- MATERIALS
HOUSING: GLASS-FILLED, LIQUID CRYSTAL POLYMER (LCP), UL94V-0, LOW-HALOGEN, GLOW-WIRE CAPABLE, COLOR: BLACK
TERMINALS: ETP COPPER
- FINISHES:
.000100/.00254 MIN SELECT SILVER AND .000100/.00254 MIN SELECT MATTE TIN OVER NICKEL OVERALL
- PRODUCT SPECIFICATION:
PS-171825-001
- PACKAGING INFORMATION:
PK-43789-001 (TRAY PACK)
- MATES WITH:
171825 FEMALE CRIMP TERMINALS
172672 RECEPTACLE HOUSINGS
- THIS PART CONFORMS TO CLASS B REQUIREMENTS OF COSMETIC SPEC PS-45499-002.
- HEADERS INDICATED AS "FINGER-PROOF" ARE DESIGNED TO MINIMIZE ACCESSIBILITY TO LIVE PARTS, PER UL 1977 AND UL 60950 FINGER PROBE REQUIREMENTS.
- SLOTTED VIAS, PLATED THRU. MOLEX RECOMMENDS ANNULAR RING DESIGN PARAMETERS AS SPECIFIED IN IPC-2221, GENERIC STANDARD ON PRINTED BOARD DESIGN.
- 118/3.00 MOUNTING-HOLES (NON-PLATED) FOR OPTIONAL BOARD-LOCKS SHOWN.

REMOVE PARTS EC NO: UCP2016-3531 DRW:NBANDURA 2016/03/09 CHKD:NBANDURA 2016/03/09 APPR:FSMITH 2016/04/29	QUALITY SYMBOLS 	GENERAL TOLERANCES (UNLESS SPECIFIED)		DIMENSION STYLE IN/MM		SCALE 2:1	DESIGN UNITS INCH	THIRD ANGLE PROJECTION	
				DRAWN BY DATE BANDERSON 2013/06/21		TITLE SUPER-SABRE RIGHT-ANGLE HEADER ASSY SINGLE-ROW			
				CHECKED BY DATE		APPROVED BY DATE FSMITH 2013/12/06			
				ANGULAR ±1/2°		MATERIAL NO.		SHEET NO. 1 OF 2	
		DRAFT WHERE APPLICABLE MUST REMAIN WITHIN DIMENSIONS		SEE CHART		THIS DRAWING CONTAINS INFORMATION THAT IS PROPRIETARY TO MOLEX INCORPORATED AND SHOULD NOT BE USED WITHOUT WRITTEN PERMISSION			

MATERIAL NUMBER*	CIRCUIT SIZE	SOLDER-TAIL	FINGER-PROOF	BOARD-LOCK
1720430201	2	SHORT	YES	NO
1720430202	2	SHORT	YES	YES
1720430205	2	LONG	YES	NO
1720430206	2	LONG	YES	YES
1720430301	3	SHORT	YES	NO
1720430302	3	SHORT	YES	YES
1720430305	3	LONG	YES	NO
1720430306	3	LONG	YES	YES
1720430401	4	SHORT	YES	NO
1720430402	4	SHORT	YES	YES
1720430405	4	LONG	YES	NO
1720430406	4	LONG	YES	YES
1720430501	5	SHORT	YES	NO
1720430502	5	SHORT	YES	YES
1720430505	5	LONG	YES	NO
1720430506	5	LONG	YES	YES
1720430601	6	SHORT	YES	NO
1720430602	6	SHORT	YES	YES
1720430605	6	LONG	YES	NO
1720430606	6	LONG	YES	YES
1720430801	8	SHORT	YES	NO
1720430802	8	SHORT	YES	YES
1720430805	8	LONG	YES	NO
1720430806	8	LONG	YES	YES

SOLDER-TAIL	DIM. "A" ±.020/0.51
SHORT	.150/3.81
LONG	.210/5.33

FINGER-PROOF	DIM. "B" (REF)
YES	.129/3.26



SEE SHEET 1 EC NO: UCP2016-3531 DRWN: BANDURA 2016/03/09 CHKD: BANDURA 2016/03/09 APPR: FSMITH 2016/04/29	QUALITY SYMBOLS ∇=0 ∇=0 ∇=0	GENERAL TOLERANCES (UNLESS SPECIFIED) <table border="1"> <thead> <tr> <th></th> <th>mm</th> <th>INCH</th> </tr> </thead> <tbody> <tr><td>4 PLACES</td><td>± .---</td><td>± .---</td></tr> <tr><td>3 PLACES</td><td>± .---</td><td>± .005</td></tr> <tr><td>2 PLACES</td><td>± 0.13</td><td>± .010</td></tr> <tr><td>1 PLACE</td><td>± 0.25</td><td>± .---</td></tr> <tr><td>0 PLACE</td><td>± .---</td><td>± .---</td></tr> </tbody> </table>		mm	INCH	4 PLACES	± .---	± .---	3 PLACES	± .---	± .005	2 PLACES	± 0.13	± .010	1 PLACE	± 0.25	± .---	0 PLACE	± .---	± .---	DIMENSION STYLE IN/MM	SCALE 2:1	DESIGN UNITS INCH	THIRD ANGLE PROJECTION
		mm	INCH																					
	4 PLACES	± .---	± .---																					
	3 PLACES	± .---	± .005																					
2 PLACES	± 0.13	± .010																						
1 PLACE	± 0.25	± .---																						
0 PLACE	± .---	± .---																						
DRAWN BY BANDERSON	DATE 2013/06/21	TITLE SUPER-SABRE RIGHT-ANGLE HEADER ASSY SINGLE-ROW																						
CHECKED BY DATE	APPROVED BY FSMITH	DATE 2013/12/06	molex																					
MATERIAL NO. SEE CHART	DOCUMENT NO. SD-172043-001	SHEET NO. 2 OF 2	THIS DRAWING CONTAINS INFORMATION THAT IS PROPRIETARY TO MOLEX INCORPORATED AND SHOULD NOT BE USED WITHOUT WRITTEN PERMISSION																					