



Chipsmall Limited consists of a professional team with an average of over 10 year of expertise in the distribution of electronic components. Based in Hongkong, we have already established firm and mutual-benefit business relationships with customers from,Europe,America and south Asia,supplying obsolete and hard-to-find components to meet their specific needs.

With the principle of “Quality Parts,Customers Priority,Honest Operation,and Considerate Service”,our business mainly focus on the distribution of electronic components. Line cards we deal with include Microchip,ALPS,ROHM,Xilinx,Pulse,ON,Everlight and Freescale. Main products comprise IC,Modules,Potentiometer,IC Socket,Relay,Connector.Our parts cover such applications as commercial,industrial, and automotives areas.

We are looking forward to setting up business relationship with you and hope to provide you with the best service and solution. Let us make a better world for our industry!



Contact us

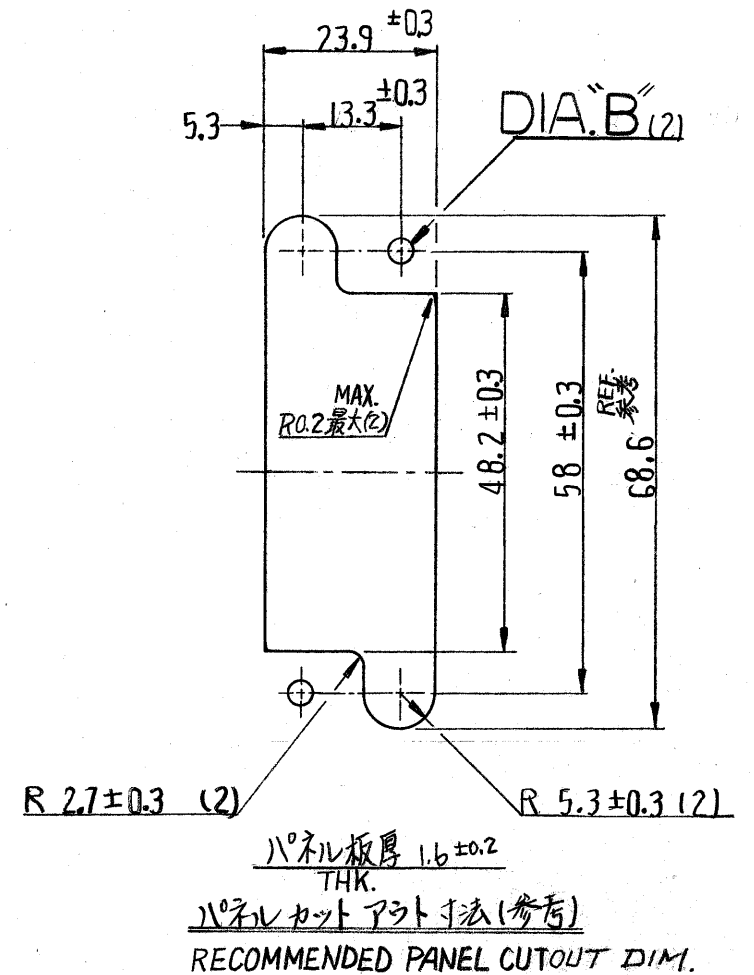
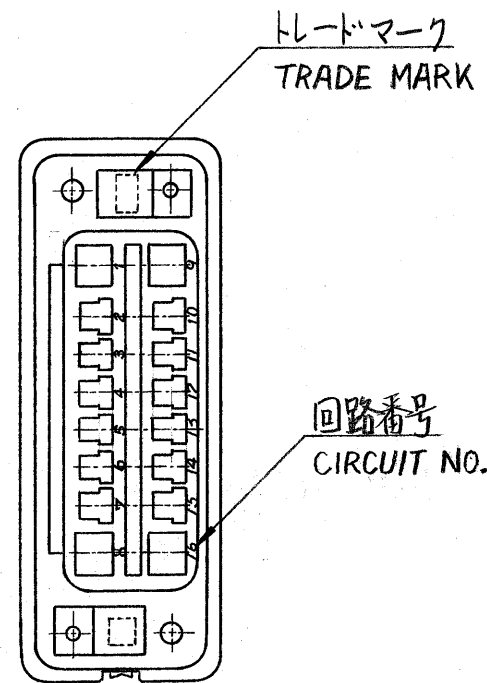
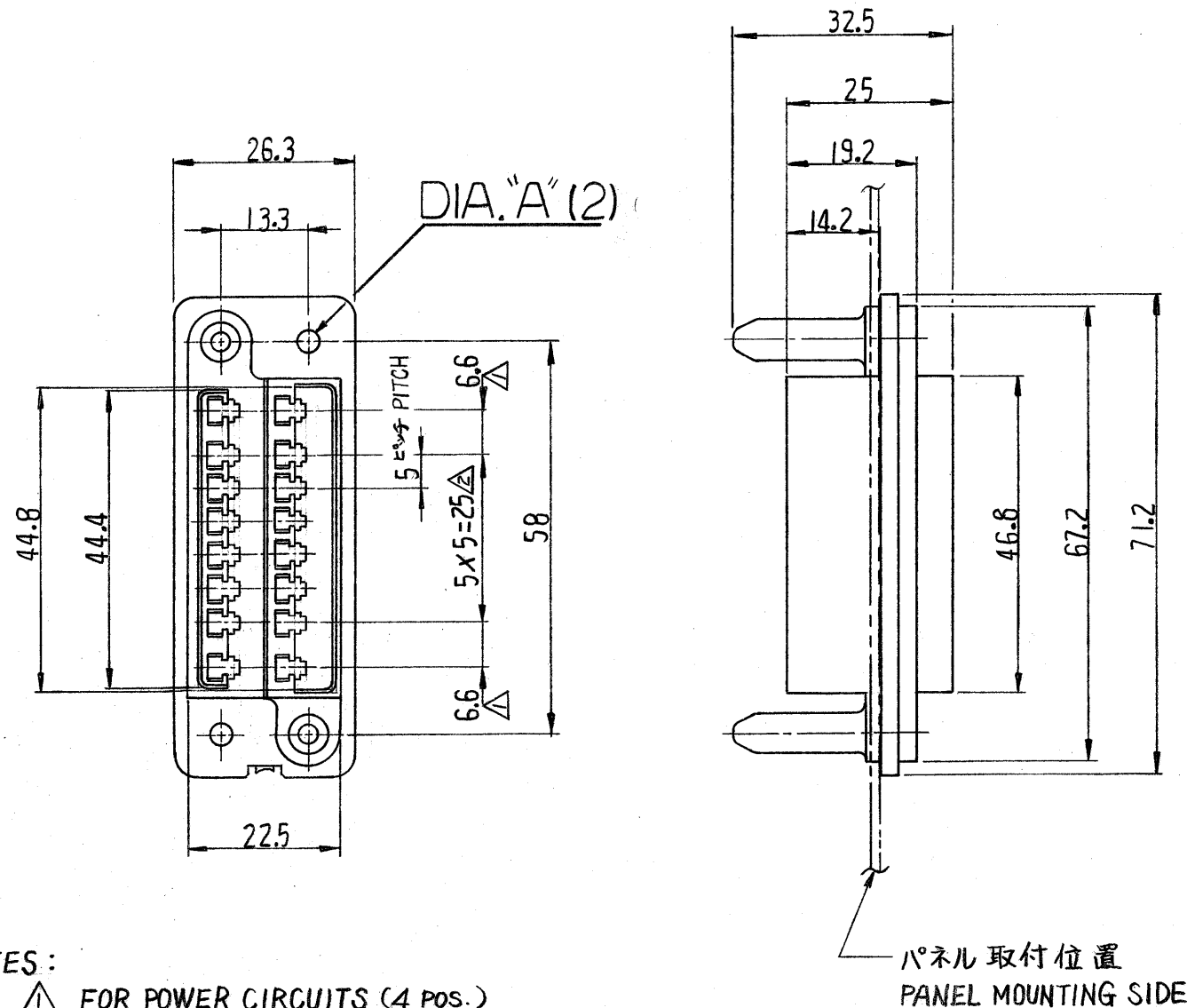
Tel: +86-755-8981 8866 Fax: +86-755-8427 6832

Email & Skype: info@chipsmall.com Web: www.chipsmall.com

Address: A1208, Overseas Decoration Building, #122 Zhenhua RD., Futian, Shenzhen, China



単位: 概 DIMENSIONS IN MM. DO NOT SCALE PRINT



- NOTES:
- △ FOR POWER CIRCUITS (4 POS.)
 - △ FOR SIGNAL CIRCUITS (12 POS.)
 - 3. ACCOMMODATED CONTACTS ARE
STRIP P/N 170311, 170312, 170484
L.P. P/N 170313, 170314, 170485
 - 4. FEMALE HSG P/N IS 172068
 - 5. RPOD.SPEC 108-5125, APPLICATION SPEC 114-5044

- 注記:
- △ 電源回路用(4極)
 - △ 信号回路用(12極)
 - 3. 本ハウジングに使用するコンタクトは
連鎖状 型番 170311, 170312, 170484
バラ状 型番 170313, 170314, 170485
 - 4. 本ハウジングに適合する雌ハウジングは 172068
 - 5. 製品規格番号 108-5125
取付 適用規格番号 114-5044

番号 (NUMBER)	変更 (REVISION RECORD)	DR.	CHK.	DATE
C	ADD -3	J83-6955	Y.I.K.S.	3/18/83
B ₁	REVISED	J81-5961	S.M.	3/12/81
B	REVISED	J80-5597	S.M.	5/21/80
A ₁	REVISED	J9-5095	S.M.	1/16/79
A	REDRAWN W/CHANGE	J9-5038	S.M.	1/12/79

番号 (NUMBER)
C-172059

組立部品 (REQUIRED PER ASSEMBLY)	記号 (DESCRIPTION)

	-3	(4mm)	4.3	5.3
172059-1	トローコネクタ-16極 雄ハウジング	(3mm)	3.3	4.3
番号 (NUMBER)	名称 (NAME)	A	B ± 0.3	
番号 (NUMBER)	名称 (NAME)	摘要 (REMARKS)	ITEM NO.	
©1979 日本エー・エム・ピー株式会社 AMP社の諸製品は特許又は特許出願中	©1979 BY AMP (Japan), Ltd. ALL RIGHTS RESERVED. AMP PRODUCTS COVERED BY PATENTS AND/OR PATENTS PENDING	参考図面 (CUSTOMER COPY) REFERENCE ONLY		
材料 (MATERIAL) GLASS FILLED PBT 94V-0 (ガラス入り)	適合電線断面積 (WIRE RANGE) mm ² (AWG)	TRADE MARK AMP 日本エー・エム・ピー株式会社 TOKYO, JAPAN		
仕上 (FINISH) 色: 青色 COLOR: BLUE	被覆外径 (INSULATION DIA.) mm (IN)	分類 (CLASS)		
DR. K. YUASA 1/8/79	一般公差 (TOLERANCE EXCEPT AS NOTED) ±0.4	型式 (TYPE)		
CHK. J. FUJITA 7/14/79	1-1	LOC SIZE 番号 (NO)	JB C-172059	
DE. J. FUJITA 1/12/79	名称 (NAME)	REV.	C	
APP. J. FUJITA 2/14/79	16極 雄ハウジング, トローコネクタ 16 POS. MALE HSG, DRAWER CONNECTOR			