



Chipsmall Limited consists of a professional team with an average of over 10 year of expertise in the distribution of electronic components. Based in Hongkong, we have already established firm and mutual-benefit business relationships with customers from,Europe,America and south Asia,supplying obsolete and hard-to-find components to meet their specific needs.

With the principle of “Quality Parts,Customers Priority,Honest Operation,and Considerate Service”,our business mainly focus on the distribution of electronic components. Line cards we deal with include Microchip,ALPS,ROHM,Xilinx,Pulse,ON,Everlight and Freescale. Main products comprise IC,Modules,Potentiometer,IC Socket,Relay,Connector.Our parts cover such applications as commercial,industrial, and automotives areas.

We are looking forward to setting up business relationship with you and hope to provide you with the best service and solution. Let us make a better world for our industry!



## Contact us

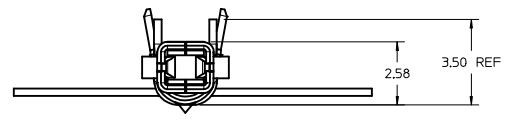
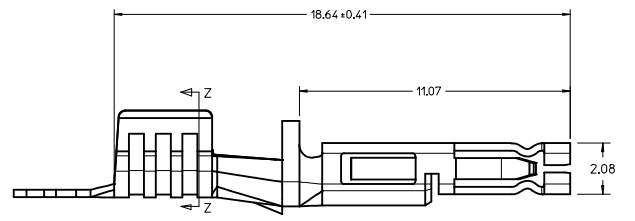
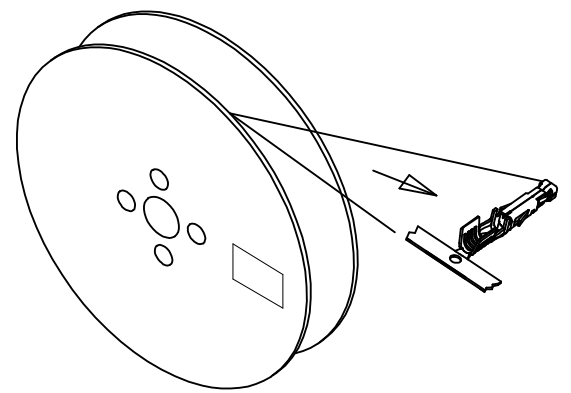
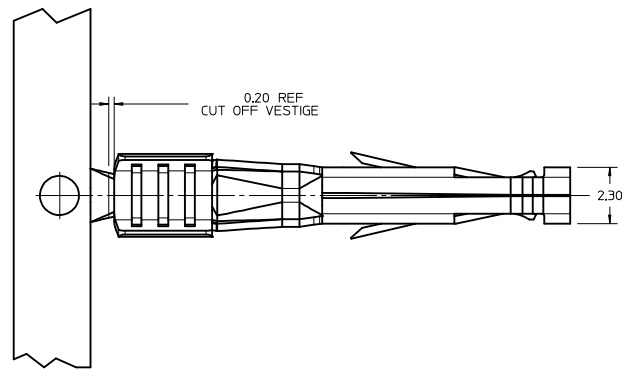
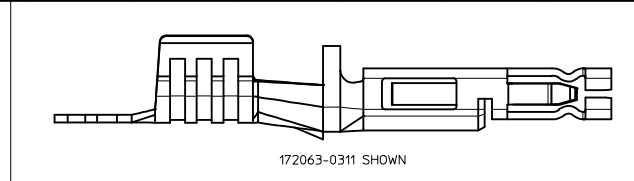
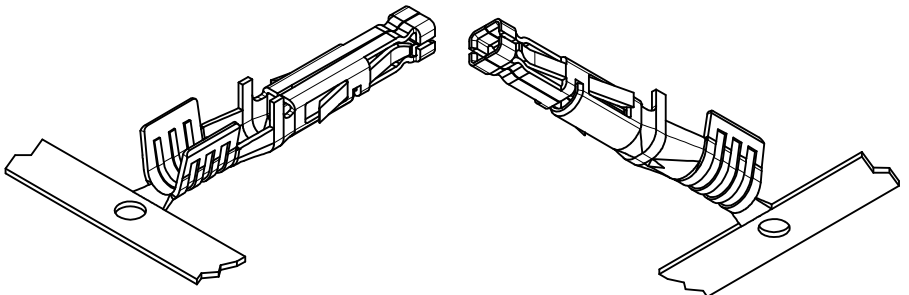
Tel: +86-755-8981 8866 Fax: +86-755-8427 6832

Email & Skype: info@chipsmall.com Web: www.chipsmall.com

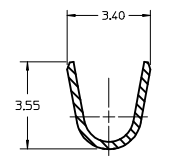
Address: A1208, Overseas Decoration Building, #122 Zhenhua RD., Futian, Shenzhen, China



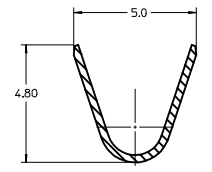
ITEM NO.	WIRE GAUGE (AWG)	WIRE GAUGE (METRIC)	PLATING	PACKAGING
172063-0311	14 OR 16 AWG	1.5mm <sup>2</sup>	15 GOLD	REEL
172063-0411	12 AWG	4.0 OR 2.5mm <sup>2</sup>	15 GOLD	LOOSE
172063-0312	14 OR 16 AWG	1.5mm <sup>2</sup>	30 GOLD	REEL
172063-0412	12 AWG	4.0 OR 2.5mm <sup>2</sup>	30 GOLD	LOOSE
172063-1311	14 OR 16 AWG	1.5mm <sup>2</sup>	TIN	REEL
172063-1312	12 AWG	4.0 OR 2.5mm <sup>2</sup>	TIN	LOOSE
76823-0321	14 OR 16 AWG	1.5mm <sup>2</sup>	TIN	REEL
76823-0421	12 AWG	4.0 OR 2.5mm <sup>2</sup>	TIN	LOOSE
76823-0322	14 OR 16 AWG	1.5mm <sup>2</sup>	TIN	REEL
76823-0422	12 AWG	4.0 OR 2.5mm <sup>2</sup>	TIN	LOOSE



76823-0321 SHOWN



SECTION Z-Z  
CONDUCTOR CRIMP 14/16 AWG



SECTION Z-Z  
CONDUCTOR CRIMP 12 AWG

NOTES:

1. MATERIAL: HIGH CONDUCTIVITY COPPER ALLOY
2. FINISH:  
(TIN) 152 MICROMETER / (60 MICROINCH) MINIMUM REFLOWED MATTE TIN OVER  
127 MICROMETER / (50 MICROINCH) MINIMUM NICKEL LUBRICANT ADDED TO CONTACT INTERFACE.  
(15 GOLD) 0.38 MICROMETER / (15 MICROINCH) MINIMUM SELECT GOLD AND  
2.54 MICROMETER / (100 MICROINCH) MINIMUM SELECT MATTE TIN OVER  
127 MICROMETER / (50 MICROINCH) MINIMUM NICKEL OVERALL.  
(30 GOLD) 0.76 MICROMETER / (30 MICROINCH) MINIMUM SELECT GOLD AND  
2.54 MICROMETER / (100 MICROINCH) MINIMUM SELECT MATTE TIN OVER  
127 MICROMETER / (50 MICROINCH) MINIMUM NICKEL OVERALL.
3. PRODUCT SPECIFICATION: PS-76823-100
4. PACKAGING REEL PER PK-76823-001.  
LOOSE PER PK-76823-002
5. TERMINAL FOR USE WITH 170001 & 171692 SERIES RECEPTACLES.
6. APPLICATION SPECIFICATION: AS-76823-100
7. PART CONFORMS TO CLASS "B" REQUIREMENTS OF COSMETIC SPECIFICATION PS-45499-002.

<b>LOOSE P/NS</b> IEC NO. UICP2015-4832 DRAWINGS 2015/05/18 CHKD:JRELL 2015/05/18 APPR:FSM/TH 2015/06/15 REV DESCRIPTION	QUALITY SYMBOLS ▽=0 ▽=0 ▽=0		GENERAL TOLERANCES (UNLESS SPECIFIED) mm INCH 4 PLACES ± --- ± --- 3 PLACES ± --- ± --- 2 PLACES ± 0.25 ± --- 1 PLACE ± 0.36 ± --- 0 PLACE ± ±		DIMENSION STYLE <b>MM ONLY</b> DRAWN BY DATE MKARADIMAS 2011/10/19 CHECKED BY DATE APPROVED BY DATE APATEL 2012/04/03		SCALE DESIGN UNITS <b>10:1 METRIC</b> THIRD ANGLE PROJECTION		TITLE <b>FEMALE CRIMP TERMINAL MEGA-FIT</b>	
	ANGULAR ±1/2° DRAFT WHERE APPLICABLE MUST REMAIN WITHIN DIMENSIONS		MATERIAL NO. <b>SEE CHART</b>		DOCUMENT NO. <b>SD-76823-0100</b>		SHEET NO. <b>1 OF 1</b>			
	THIS DRAWING CONTAINS INFORMATION THAT IS PROPRIETARY TO MOLEX INCORPORATED AND SHOULD NOT BE USED WITHOUT WRITTEN PERMISSION									
	SIZE D									