



Chipsmall Limited consists of a professional team with an average of over 10 year of expertise in the distribution of electronic components. Based in Hongkong, we have already established firm and mutual-benefit business relationships with customers from,Europe,America and south Asia,supplying obsolete and hard-to-find components to meet their specific needs.

With the principle of “Quality Parts,Customers Priority,Honest Operation,and Considerate Service”,our business mainly focus on the distribution of electronic components. Line cards we deal with include Microchip,ALPS,ROHM,Xilinx,Pulse,ON,Everlight and Freescale. Main products comprise IC,Modules,Potentiometer,IC Socket,Relay,Connector.Our parts cover such applications as commercial,industrial, and automotives areas.

We are looking forward to setting up business relationship with you and hope to provide you with the best service and solution. Let us make a better world for our industry!



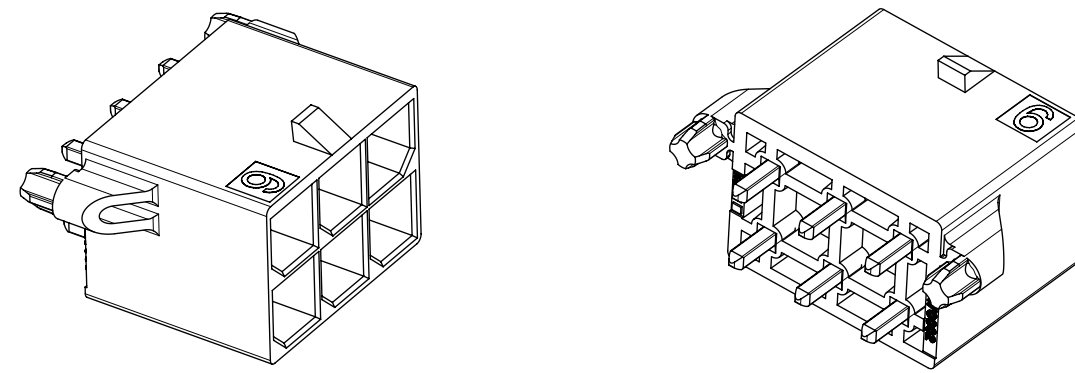
Contact us

Tel: +86-755-8981 8866 Fax: +86-755-8427 6832

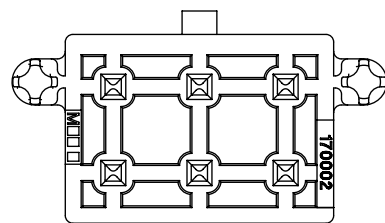
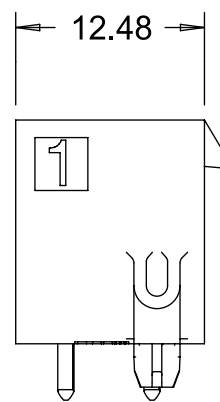
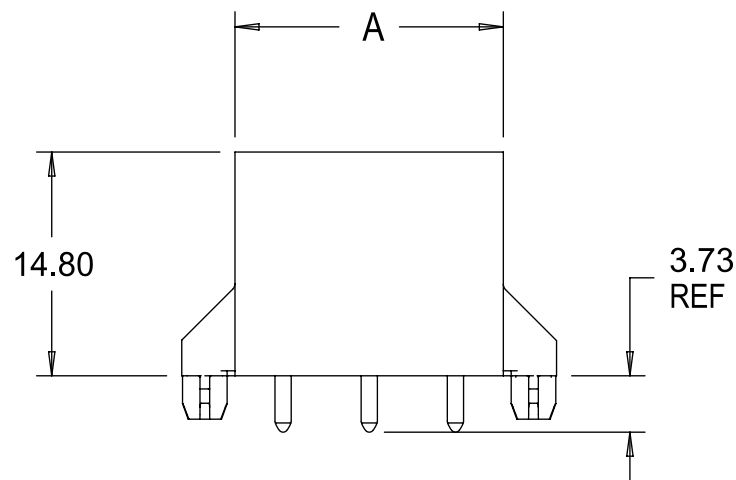
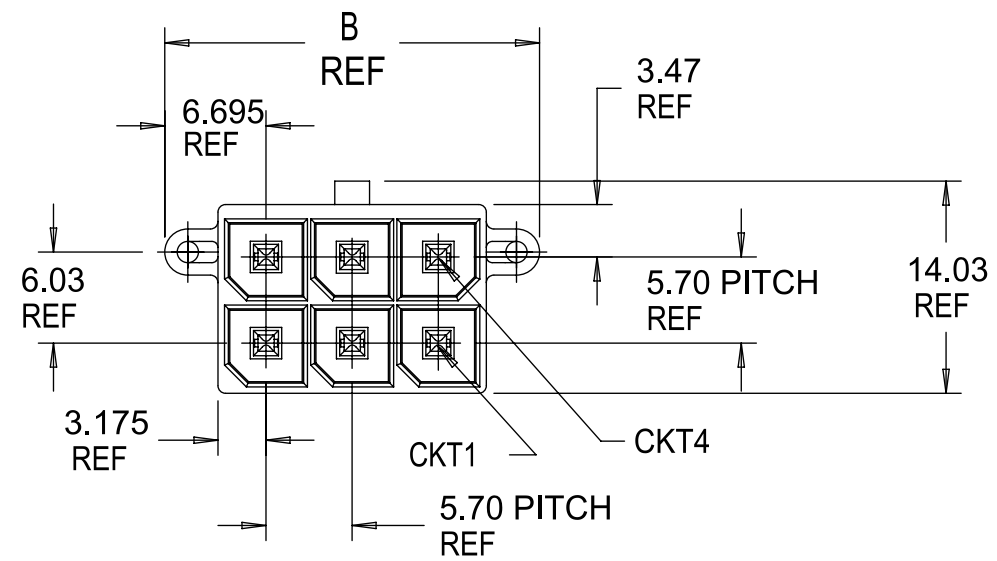
Email & Skype: info@chipsmall.com Web: www.chipsmall.com

Address: A1208, Overseas Decoration Building, #122 Zhenhua RD., Futian, Shenzhen, China





76829-0006 SHOWN

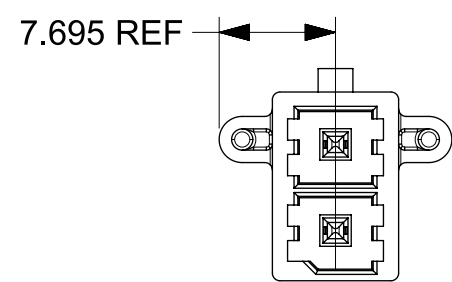


CKT SIZE	PART NO.	PLATING	DIM A	DIM B	DIM C BASIC	DIM D
2	76829-0002	TIN	8.35	15.39	12.34	16.40
4	76829-0004	TIN	12.05	19.09	16.04	20.10
6	76829-0006	TIN	17.75	24.79	21.74	25.80
8	76829-0008	TIN	23.45	30.49	27.44	31.50
10	76829-0010	TIN	29.15	36.19	33.14	37.20
12	76829-0012	TIN	34.85	41.89	38.84	42.90
2	172065-0002	15 GOLD	8.35	15.38	12.34	16.40
4	172065-0004	15 GOLD	12.05	19.09	16.04	20.10
6	172065-0006	15 GOLD	17.75	24.79	21.74	25.80
8	172065-0008	15 GOLD	23.45	30.49	27.44	31.50
10	172065-0010	15 GOLD	29.15	36.19	33.14	37.20
12	172065-0012	15 GOLD	34.85	41.89	38.84	42.90
2	172065-1002	30 GOLD	8.35	15.38	12.34	16.40
4	172065-1004	30 GOLD	12.05	19.09	16.04	20.10
6	172065-1006	30 GOLD	17.75	24.79	21.74	25.80
8	172065-1008	30 GOLD	23.45	30.49	27.44	31.50
10	172065-1010	30 GOLD	29.15	36.19	33.14	37.20
12	172065-1012	30 GOLD	34.85	41.89	38.84	42.90

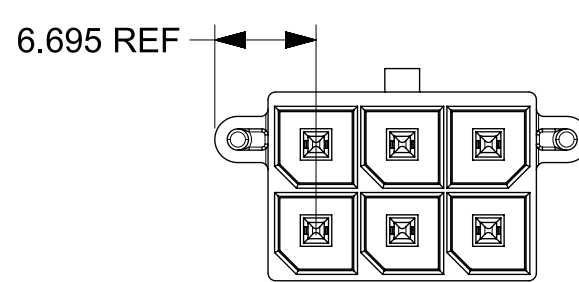
NOTES:

- MATERIAL:
HOUSING: LCP, UL94V-0, GLOW WIRE CAPABLE PER IEC-60335-1 5TH EDITION,
COLOR: BLACK.
TERMINAL: HIGH CONDUCTIVITY COPPER.
- TERMINAL PLATING:
(TIN) 1.52 MICROMETER ((60 MICROINCH) MIN REFLOWED MATTE TIN OVER
1.27 MICROMETER ((50 MICROINCH) MIN NICKEL OVERALL.
(15 GOLD) 0.38 MICROMETER ((15 MICROINCH) MIN SELECT GOLD ON CONTACT AREA
2.54 MICROMETER ((100 MICROINCH) MIN SELECT MATTE TIN ON SOLDER AREA
BOTH OVER 1.27 MICROMETER ((50 MICROINCH) MIN NICKEL OVERALL
(30 GOLD) 0.76 MICROMETER ((30 MICROINCH) MIN SELECT GOLD ON CONTACT AREA
2.54 MICROMETER ((100 MICROINCH) MIN SELECT MATTE TIN ON SOLDER AREA
BOTH OVER 1.27 MICROMETER ((50 MICROINCH) MIN NICKEL OVERALL
- PRODUCT SPECIFICATION PS-76823-100.
- PART MATES WITH MOLEX PART NUMBER 170001 AND 171692 SERIES.
- PACKAGING: TRAY PACKED PER MOLEX SPECIFICATION PK-31301-976.
- APPLICATION SPECIFICATION: AS-76823-100
- PARTS CONFORM TO CLASS "B" REQUIREMENTS OF COSMETIC SPECIFICATION PS-45499-002.

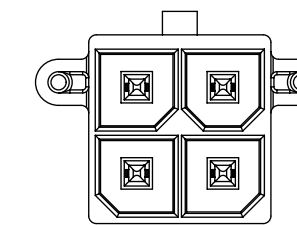
QUALITY SYMBOLS 	THIS DRAWING CONTAINS INFORMATION THAT IS PROPRIETARY TO MOLEX ELECTRONIC TECHNOLOGIES, LLC AND SHOULD NOT BE USED WITHOUT WRITTEN PERMISSION				GENERAL TOLERANCES (UNLESS SPECIFIED) MM INCH 4 PLACES ± ± 3 PLACES ± ± 2 PLACES ± 0.25 ± 1 PLACES ± ± 0 PLACES ± ±		DIMENSION UNITS MM INCH DRWN BY: MKARADIMAS DATE: 2010/10/06 CHK'D BY: DATE: APPR BY: APATL DATE: 2010/10/06 APATEL DATE: 2012/06/13		 MEGA-FIT VERTICAL HEADER ASSY 2-12 CKT TOP LATCH		
	CORRECT 2CKT PCB EC NO: 103619 DRWN: CSLAFTER CHK'D: JBELL REV / APPR: FSMITH		ANGULAR TOL ± 1/2 DRAFT WHERE APPLICABLE MUST REMAIN WITHIN DIMENSIONS		DRAWING SIZE: C THIRD ANGLE PROJECTION		PRODUCT CUSTOMER DRAWING SERIES: 76829 MATERIAL NUMBER: SEE CHART CUSTOMER: GENERAL MARKET				
	D6 REV: APPR:		DRAFT WHERE APPLICABLE MUST REMAIN WITHIN DIMENSIONS		C		DOCUMENT NUMBER: SD-76829-0100 DOC TYPE: PSD DOC PART: 000 SHEET NUMBER: 1 OF 2				
	RELEASE STATUS: P1 RELEASE DATE: 28.04.2016 20:52:57 MODEL: 768290000										



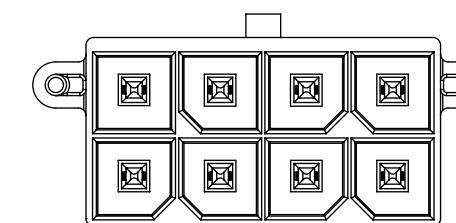
2 CKT



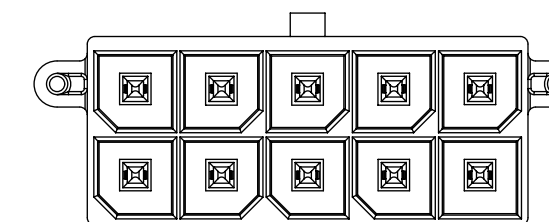
4-12 CKT



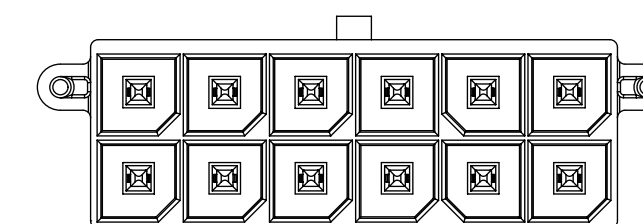
4 CKT



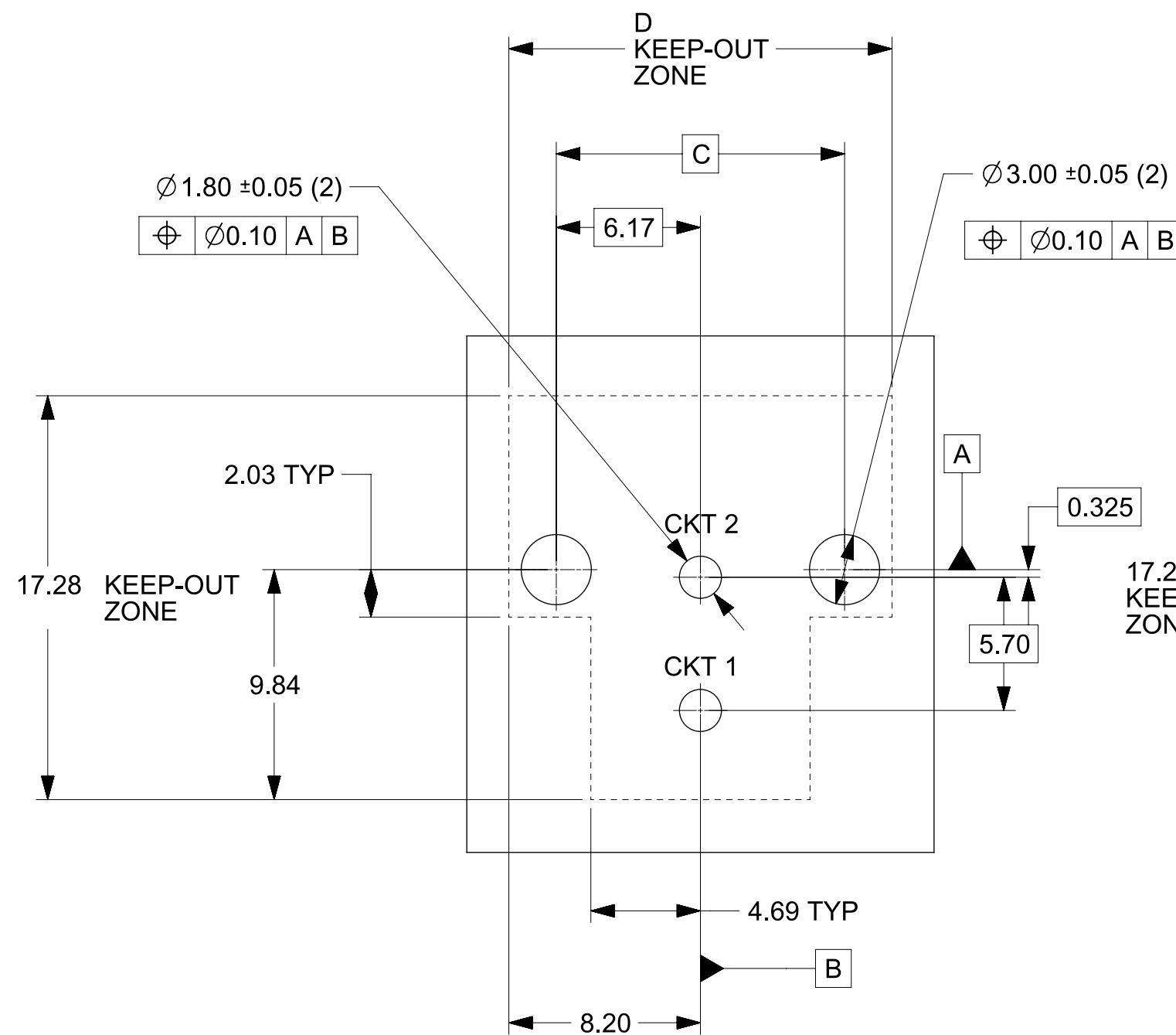
8 CKT



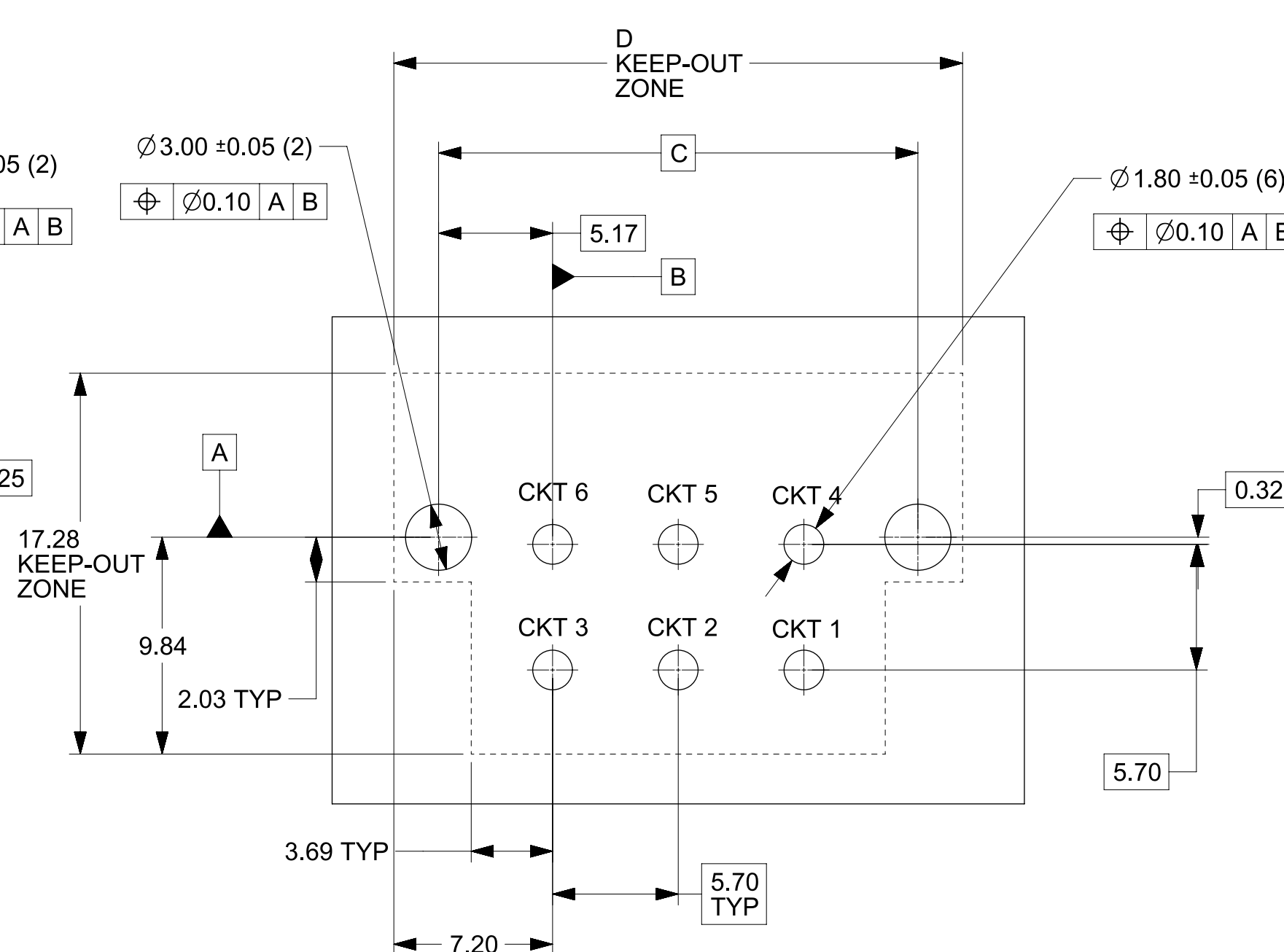
10 CKT



12 CKT



PCB LAYOUT: COMPONENT SIDE
RECOMENDED PCB THICKNESS: 1.58 MM/.062 IN TO 2.36 MM/.093 IN



PCB LAYOUT: COMPONENT SIDE
RECOMENDED PCB THICKNESS: 1.58 MM/.062 IN TO 2.36 MM/.093 IN

QUALITY SYMBOLS		THIS DRAWING CONTAINS INFORMATION THAT IS PROPRIETARY TO MOLEX ELECTRONIC TECHNOLOGIES, LLC AND SHOULD NOT BE USED WITHOUT WRITTEN PERMISSION												
▽ = 0	▽ = 0	CORRECT 2CKT PCB EC NO: 103619 DRWN: CSLAFTER CHKD: JBELL REV / APPR: FSMITH	GENERAL TOLERANCES (UNLESS SPECIFIED)				DIMENSION UNITS		SCALE					
▽ = 0	▽ = 0		MM		INCH		2:1							
▽ = 0	▽ = 0		4 PLACES ±		±		DRWN BY		DATE		MEGA-FIT VERTICAL HEADER ASSY 2-12 CKT TOP LATCH			
▽ = 0	▽ = 0		3 PLACES ±		±		MKARADIMAS		2010/10/06					
▽ = 0	▽ = 0		2 PLACES ±		± 0.25		CHK'D BY		DATE		PRODUCT CUSTOMER DRAWING			
▽ = 0	▽ = 0		1 PLACES ±		±		APATAL		2010/10/06					
▽ = 0	▽ = 0	0 PLACES ±		±		APPR BY		DATE		SERIES: 76829 MATERIAL NUMBER: SEE CHART CUSTOMER: GENERAL MARKET				
▽ = 0	▽ = 0	ANGULAR TOL ± 1/2				DRAWING SIZE		THIRD ANGLE PROJECTION		DOCUMENT NUMBER: SD-76829-0100 DOC TYPE: PSD DOC PART: 000 SHEET NUMBER: 2 OF 2				
▽ = 0	▽ = 0	DRAFT WHERE APPLICABLE MUST REMAIN WITHIN DIMENSIONS				C								