



Chipsmall Limited consists of a professional team with an average of over 10 year of expertise in the distribution of electronic components. Based in Hongkong, we have already established firm and mutual-benefit business relationships with customers from,Europe,America and south Asia,supplying obsolete and hard-to-find components to meet their specific needs.

With the principle of “Quality Parts,Customers Priority,Honest Operation,and Considerate Service”,our business mainly focus on the distribution of electronic components. Line cards we deal with include Microchip,ALPS,ROHM,Xilinx,Pulse,ON,Everlight and Freescale. Main products comprise IC,Modules,Potentiometer,IC Socket,Relay,Connector.Our parts cover such applications as commercial,industrial, and automotives areas.

We are looking forward to setting up business relationship with you and hope to provide you with the best service and solution. Let us make a better world for our industry!



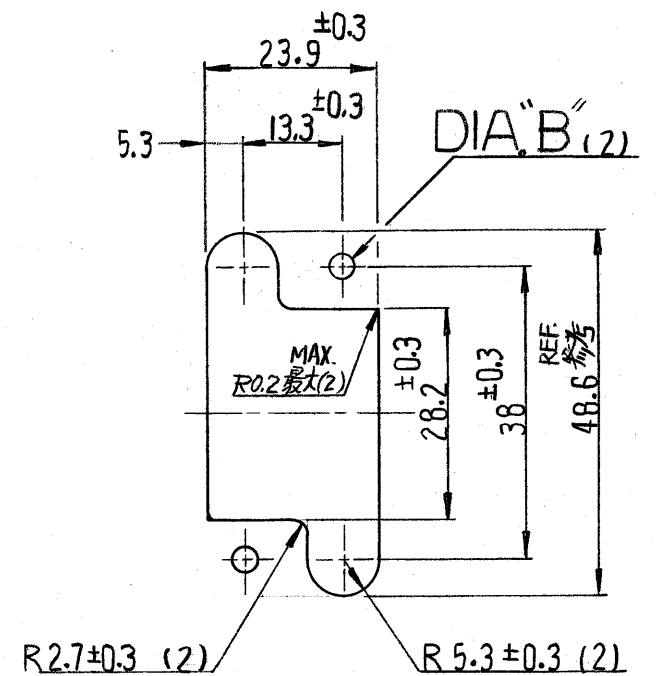
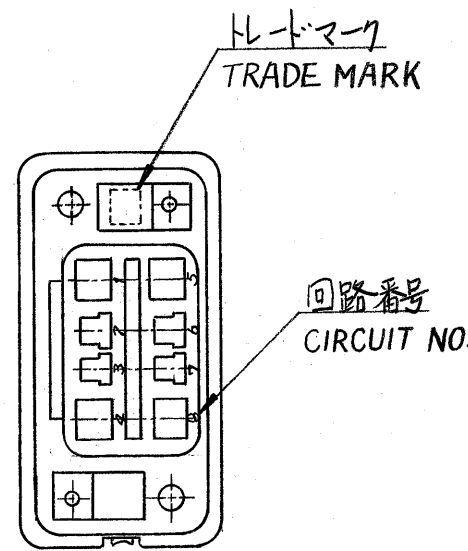
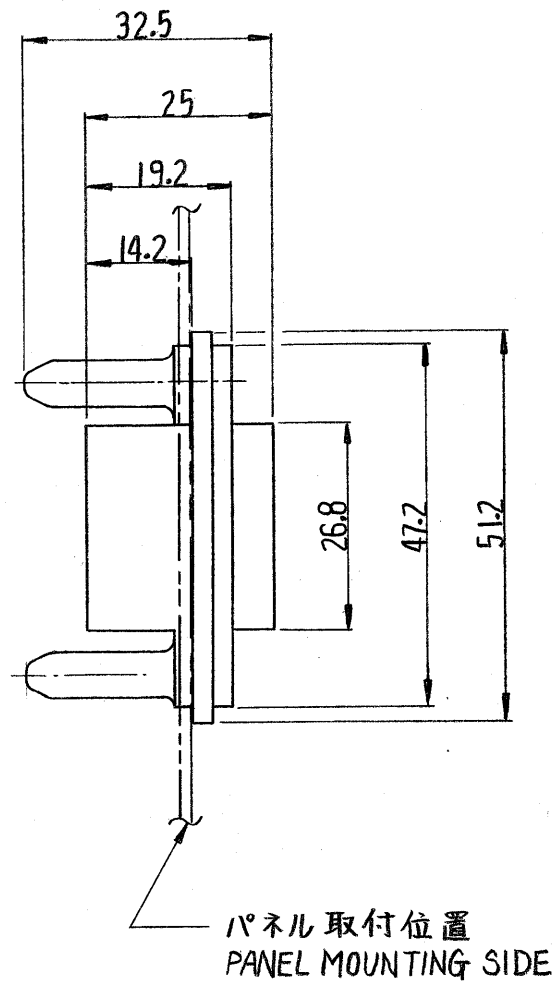
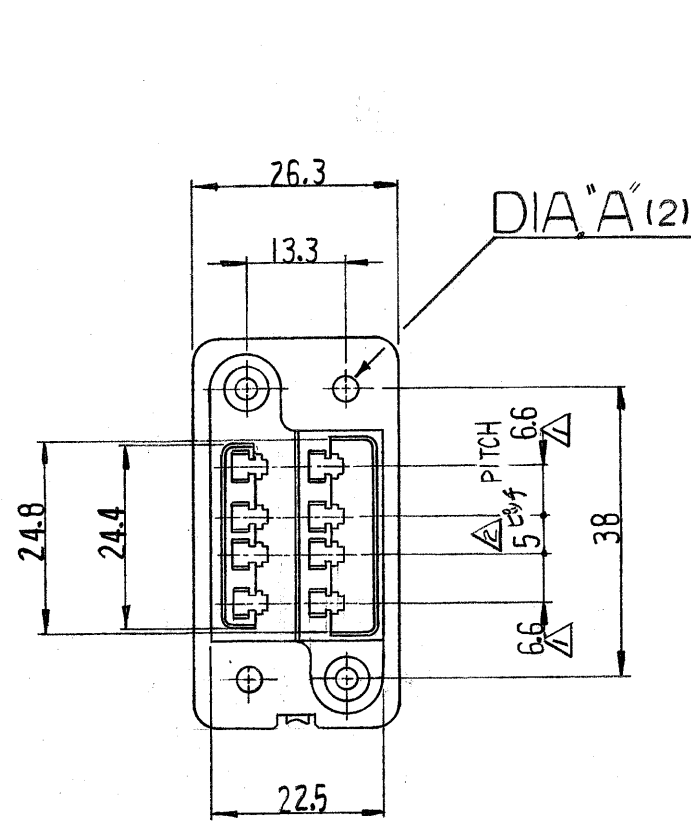
Contact us

Tel: +86-755-8981 8866 Fax: +86-755-8427 6832

Email & Skype: info@chipsmall.com Web: www.chipsmall.com

Address: A1208, Overseas Decoration Building, #122 Zhenhua RD., Futian, Shenzhen, China





パネル板厚 1.6 ± 0.2 THK.
 パネルカットアウト寸法(参考)
 RECOMMENDED PANEL CUTOUT DIM.

NOTES:

- △ FOR POWER CIRCUITS (4 POS.)
- △ FOR SIGNAL CIRCUITS (4 POS.)
- 3. ACCOMMODATED CONTACTS ARE STRIP P/N 170311, 170312, 170484 L.P. P/N 170313, 170314, 170485
- 4. FEMALE HSG P/N IS 172070
- 5. PROD. SPEC 108-5125, APPLICATION SPEC 114-5044

注記:

- △ 電源回路用(4極)
- △ 信号回路用(4極)
- 3. 本ハウジングに使用するコネクタは 連鎖状 型番 170311, 170312, 170484 ブラ状 型番 170313, 170314, 170485
- 4. 本ハウジングに嵌合する雌ハウジングは 172070
- 5. 製品規格番号 108-5125 取付適用規格番号 114-5044

NO.	REV.	DESCRIPTION	BY	DATE
C	ADD -3	J83-6955	Y.I K.S	8/18/83
B1	REVISED	J81-5961	S.M	1/18/81
B	REVISED	J80-5097	S.M	5/20/80
A1	REVISED	J9-5095	S.M	1/13/79
A	REDRAWN W. CHANGE	J9-5038	Y.I	1/27/79

C-172063 (NUMBER)

組立部品 (REQUIRED PER ASSEMBLY)	番号 (NUMBER)	名称 (NAME)	摘要 (REMARKS)	REV. NO.
	172063-1	ドロワーコネクタ 8極 雄ハウジング DRAWER CONN. 8 POS. MALE HSG		
			参考図面 (CUSTOMER COPY) REFERENCE ONLY	
			AMP 日本エー・エム・ピー株式会社 TOKYO, JAPAN	
			TRADEMARK	
			分類 (CLASS)	
			型式 (TYPE)	
			材料 (MATERIAL) GLASS FILLED PBT 94V-0 (ガラス入り)	
			被覆外径 (INSULATION DIA.)	
			色: 靑色 BLUE	
			DR. K. YUASA 1/8/79	
			CHK. J. Fujita 3/10/79	
			DE. J. Fujita 1/12/79	
			APP. S. Saitoh 2/4/79	
			名称 (NAME) 8極 雄ハウジング, ドロワーコネクタ 8 POS. MALE HSG, DRAWER CONNECTOR	
			公差 (TOLERANCE) ±0.4 EXCEPT AS NOTED	
			尺度 (SCALE) 1-1	
			LOC SIZE 番号 (NO.) J B C-172063	
			REV. C	

単位: 耗 DIMENSIONS IN MM. DO NOT SCALE PRINT