



Chipsmall Limited consists of a professional team with an average of over 10 year of expertise in the distribution of electronic components. Based in Hongkong, we have already established firm and mutual-benefit business relationships with customers from,Europe,America and south Asia,supplying obsolete and hard-to-find components to meet their specific needs.

With the principle of “Quality Parts,Customers Priority,Honest Operation,and Considerate Service”,our business mainly focus on the distribution of electronic components. Line cards we deal with include Microchip,ALPS,ROHM,Xilinx,Pulse,ON,Everlight and Freescale. Main products comprise IC,Modules,Potentiometer,IC Socket,Relay,Connector.Our parts cover such applications as commercial,industrial, and automotives areas.

We are looking forward to setting up business relationship with you and hope to provide you with the best service and solution. Let us make a better world for our industry!



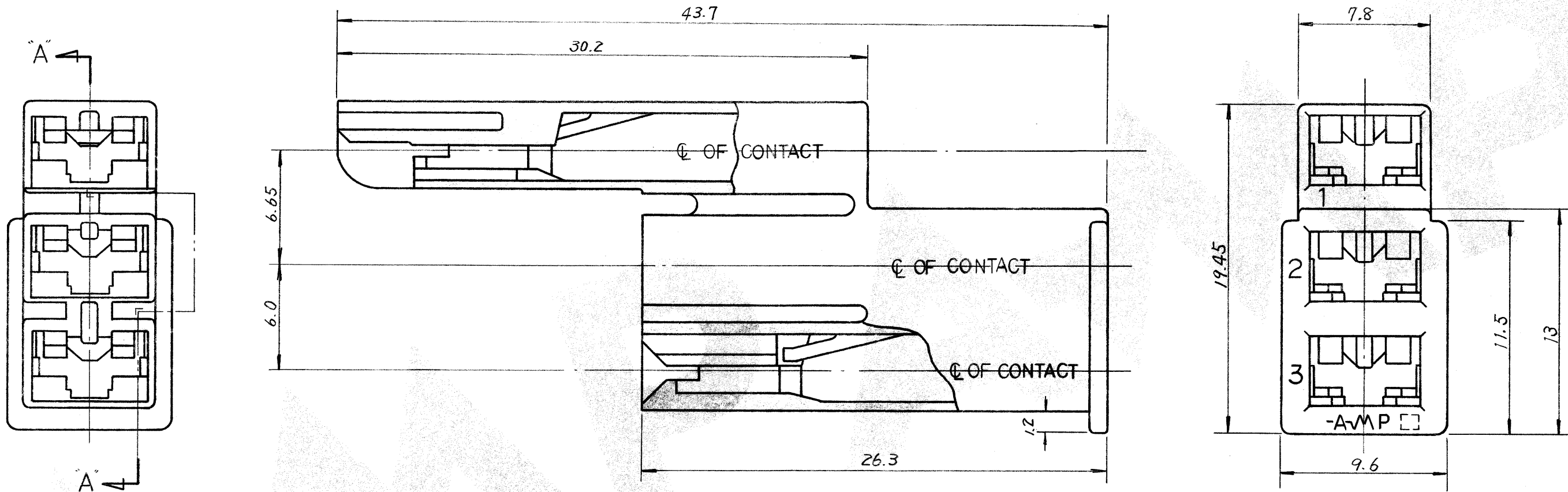
Contact us

Tel: +86-755-8981 8866 Fax: +86-755-8427 6832

Email & Skype: info@chipsmall.com Web: www.chipsmall.com

Address: A1208, Overseas Decoration Building, #122 Zhenhua RD., Futian, Shenzhen, China





断面 "A-A"

注:

1. 適用製品規格 108-5126
2. 本ウジンクに使用するコンタクトは 170324, 170325, 170326である。
3. 本コネクタは マイクロスイッチ (3極) に適合する。
4. 適用タブ寸法については CP79-25225を参照のこと。
- △ 材料: 6/6 ナイロン (94V-2)
- △ 材料: 6/6 ナイロン (94V-0)

NOTES;

1. PRODUCT SPEC : 108-5126
2. APPLIED CONTACT P/N : 170324, 170325, 170326
3. THIS CONNECTOR APPLIED FOR 3Pos. MICRO SWITCH.
4. SEE CP79-25225 FOR APPLIED TAB.
- △ MATERIAL : 6/6 NYLON (94V-2)
- △ MATERIAL : 6/6 NYLON (94V-0)
- △ OBSOLETE PARTS: OBSOLETE CIS STREAMLINING PER D.RENAUD/D.SINISI

△ OBSOLETE	+172075-7 △	赤 (RED)
	1-172075-6 △	青 (BLUE)
△ OBSOLETE	+172075-5 △	緑 (GREEN)
	1-172075-4 △	黄 (YELLOW)
	1-172075-1 △	自然色 (NATURAL)
	172075-7 △	赤 (RED)
	172075-6 △	青 (BLUE)
	172075-5 △	緑 (GREEN)
	172075-4 △	黄 (YELLOW)
	172075-1 △	自然色 (NATURAL)
	型番 (P/N)	色 (COLOR)

材料 (MATERIAL)	一般公差 TOLERANCE ± 0.4 EXCEPT AS NOTED ± 0.1	STE TE Connectivity
注 △ △ 参照 SEE NOTES △ △	名称 (NAME) 187 SERIES 3Pos. POSITIVE LOCK (MK-II) HSG.	
仕上 (FINISH)	DR. H Yamada 12/79 CHK. A. Tomita 12/79 DE. Y. FUJITA 1/80 APP. N. Sato 4/8 '80	187シリーズ 3極 ポジティブロック(マークII)ハウジング
	SIZE B LOC J 番号 (NO.) C-172075	
	尺度 (SCALE) 4-1 REV. E2 SHEET	

(CUSTOMER DRAWING) 参 考 図 面

PROJ. No. 716-211

ALL DIMENSIONS IN MM. DO NOT SCALE PRINT

E2	REVISED PER ECO-11-005030	RK	HMR	23MAR11
LTR.	変更 (REVISION RECORD)	DR.	CHK.	DATE