



Chipsmall Limited consists of a professional team with an average of over 10 year of expertise in the distribution of electronic components. Based in Hongkong, we have already established firm and mutual-benefit business relationships with customers from,Europe,America and south Asia,supplying obsolete and hard-to-find components to meet their specific needs.

With the principle of “Quality Parts,Customers Priority,Honest Operation,and Considerate Service”,our business mainly focus on the distribution of electronic components. Line cards we deal with include Microchip,ALPS,ROHM,Xilinx,Pulse,ON,Everlight and Freescale. Main products comprise IC,Modules,Potentiometer,IC Socket,Relay,Connector.Our parts cover such applications as commercial,industrial, and automotives areas.

We are looking forward to setting up business relationship with you and hope to provide you with the best service and solution. Let us make a better world for our industry!



Contact us

Tel: +86-755-8981 8866 Fax: +86-755-8427 6832

Email & Skype: info@chipsmall.com Web: www.chipsmall.com

Address: A1208, Overseas Decoration Building, #122 Zhenhua RD., Futian, Shenzhen, China

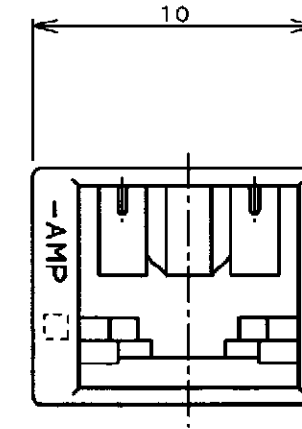
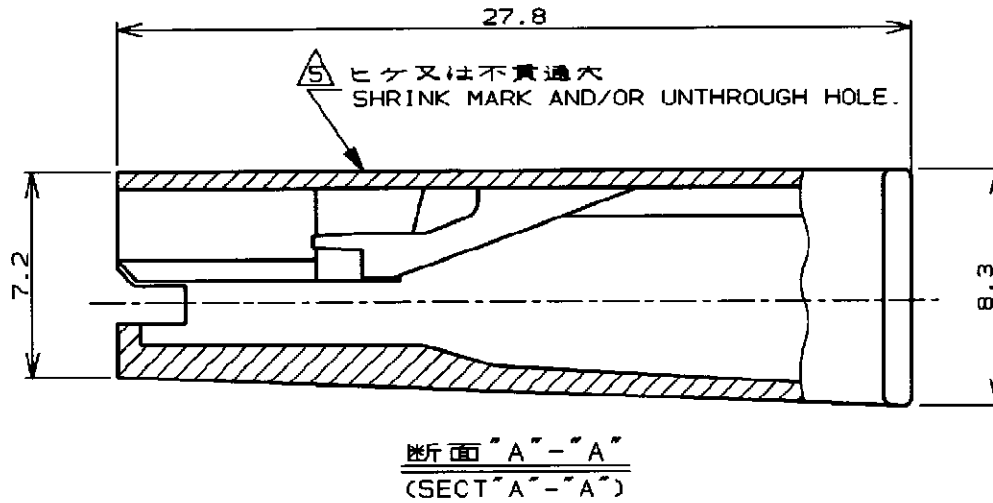
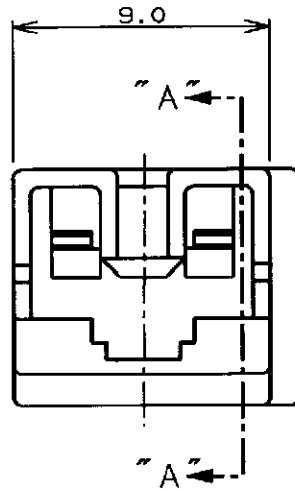


NUMBER C-172076



METRIC

PRINT DIST 単位: mm DIMENSIONS IN MM. DO NOT SCALE PRINT



注記:

1. 適用製品規格 ; 108-5127
2. 本ハウジングに使用するコンタクトは 170327, 170328, 170329 である。
3. 適用タブ寸法については CP78-26023 を参照のこと。
4. 材料 ; 6/6 ナイロン (94V-0)
5. 外表面にヒケ及びび不貫通穴(ピン ホール)が できる場合があります。但し、コネクタの性能には 影響はありません。

NOTES:

1. PRODUCT SPECIFICATION 108-5127
2. APPLICABLE CONTACT P/N ; 170327, 170328, 170329
3. SEE CP78-26023. ABOUT APPLICABLE TAB.
4. MATERIAL ; 6/6 NYLON (94V-0)
5. THERE ARE A FEW CASES THAT SHRINK MARK AND/OR UNTHROUGH HOLE OCCURS IN THIS AREA, BUT NOT INFLUENCE TO CONN,FUNCTION.

2-172076-7	(RED)	赤	△
2-172076-6	(BLUE)	青	△
2-172076-5	(GREEN)	緑	△
2-172076-4	(YELLOW)	黄	△
2-172076-2	(BLACK)	黒	△
2-172076-1	(NATURAL)	自然色	△
172076-7	(RED)	赤	
172076-6	(BLUE)	青	
172076-5	(GREEN)	緑	
172076-4	(YELLOW)	黄	
172076-2	(BLACK)	黒	
172076-1	(NATURAL)	自然色	
型番 (P/N)	色 (COLOR)	注 (NOTE)	

				STE TE Connectivity	
規格電線断面積 (WIRE RANGE)		被覆外径 (INSULATION DIA.)		名称 (NAME)	
— / — mm ² (AWG -)		— / — mmφ		250 シリーズ 1極 ポジティブロック (マークII)ハウジング 250 SERIES 1 Pos POSITIVE LOCK (MK-II) HOUSING	
材料 (MATERIAL)		仕上 (FINISH)		一般公差 (GENERAL TOLERANCE)	
6/6 ナイロン (94V-2) △ 6/6 NYLON (94V-2) △		— / —		10以下 : ±0.2 10を超え 30以下 : ±0.25 30を超え 100以下 : ±0.3 角 度 : ±3°	
H1	REVISED PER ECO-11-005294	RK	HMR	09APR 11	DR. M. SUZUKI 17. JAN. '95
LTR	変更 (REVISION RECORD)	DR	CHK	DATE	DE. M. SUZUKI 17. JAN. '95
		CHK. H. TAGUTCH		APP. H. TAGUTCH 20. JAN. '95	
				LOC 番号 (No.)	
				B J C-172076	
		尺度 (SCALE)		REV. H1 SHEET 1 OF 1	
		4-1			