



Chipsmall Limited consists of a professional team with an average of over 10 year of expertise in the distribution of electronic components. Based in Hongkong, we have already established firm and mutual-benefit business relationships with customers from,Europe,America and south Asia,supplying obsolete and hard-to-find components to meet their specific needs.

With the principle of "Quality Parts,Customers Priority,Honest Operation,and Considerate Service",our business mainly focus on the distribution of electronic components. Line cards we deal with include Microchip,ALPS,ROHM,Xilinx,Pulse,ON,Everlight and Freescale. Main products comprise IC,Modules,Potentiometer,IC Socket,Relay,Connector.Our parts cover such applications as commercial,industrial, and automotives areas.

We are looking forward to setting up business relationship with you and hope to provide you with the best service and solution. Let us make a better world for our industry!



Contact us

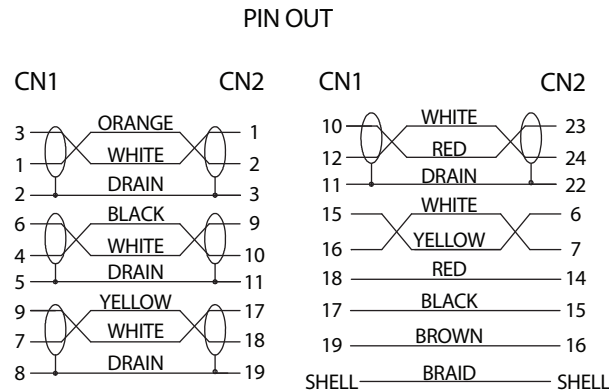
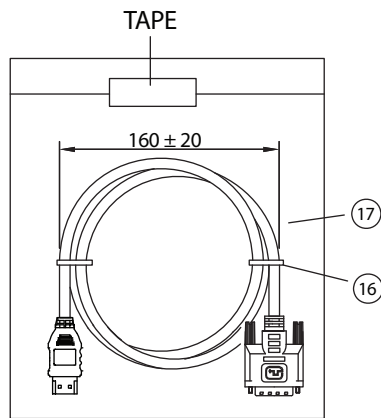
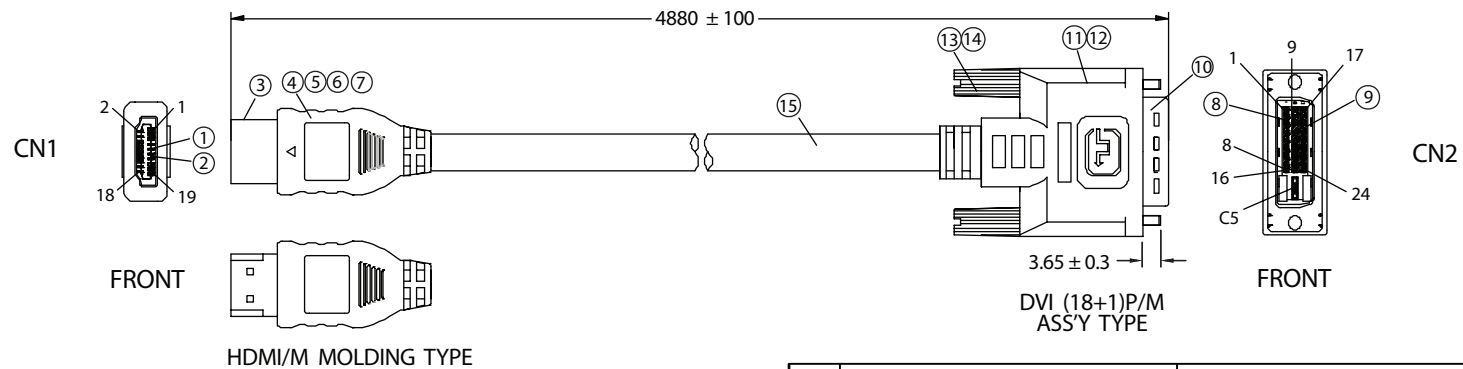
Tel: +86-755-8981 8866 Fax: +86-755-8427 6832

Email & Skype: info@chipsmall.com Web: www.chipsmall.com

Address: A1208, Overseas Decoration Building, #122 Zhenhua RD., Futian, Shenzhen, China



REVISION			
REV.	DESCRIPTION	DATE	APPROVED
A	Changed HDMI/M Mold Design / Changed From Crimp Terminal to Solder Terminal	03-12-07	DP



No.	PARTS NAME	SPECIFICATION STANDARD	QTY	REMARKS
①	HDMI/M - CONTACT	BRASS / GOLD FLASH	19	
②	HDMI/M - INSULATOR	PBT / BLACK	1	
③	HDMI/M - SHELL	STEEL / NICKEL PLATED	1	
④	PCB		1	
⑤	HDMI/M - INNER MOLD	PE NATURAL	1	
⑥	HDMI/M - COPPER FOIL	WIDTH: 20mm	1	
⑦	HDMI/M - OUTER MOLD	60P PVC / COLOR: BLACK	1	
⑧	DVI (18+1)P/M - CONTACT	BRONZE / GOLD FLASH SOLDER TYPE	19	
⑨	DVI (18+1)P/M - INSULATOR	THERMOPLASTIC / BLACK UL94-V0	1	
⑩	DVI (18+1)P/M - SHELL	STEEL NICKEL PLATED	1	
⑪	CAN	STEEL TIN PLATED ID: 8.0mm	1	
⑫	DVI (18+1)P/M - COVER	45P PVC / COLOR: BLACK	1	
⑬	THUMB SCREW	#4-40 2.8x45, NICKEL PLATED	2	
⑭	SCREW-MOLD	35P PVC / COLOR: BLACK	2	
⑮	CABLE	KL03035ABK01A	1	
⑯	MINI TIE	PE / BLACK	2	
⑰	POLYBAG	PE / 0.08x220x250mm	1	

NOTES:

- CABLE: UL20276
 [(26AWGx1P+DW+FOIL)x4+28AWGx3C+28AWGx1P+MYLAR+FOIL+BD]x1
 OUTER PVC JACKET: BLACK, OD: 8.0 ± 0.2mm
 CHARACTER IMPEDENCE: 100 ohm
 PRINTING: "E166307 AWM STYLE 20276 26AWG 80°C 30V VW-1
 LOW VOLTAGE COMPUTER CABLE"
- HOOD: MOLDED TYPE, COLOR: BLACK
 COPPER FOIL MUST BE SOLDERED 360° AROUND THE CONNECTOR SHELL
- ELECTRICAL TEST:
 <1>.100% OPEN SHORT & MISS WIRE TEST
 <2>.INSULATION RESISTANCE: DC400V 10M ohm MIN.
 <3>.CONDUCTOR RESISTANCE: 3 ohm MAX.
- PACKING: 1PC/POLYBAG

Dim range (mm)	Tolerance +/- (mm)	Qualtek Electronics Corp. WCI DIVISION																				
		Part Number: 1721015-16		RoHS Compliant																		
0-1	0.15	Description: HDMI/M - DVI (18+1)P/M																				
1-6	0.20	<table border="0" style="width: 100%;"> <tr> <td style="width: 33%;"></td> <td style="width: 33%;"></td> <td style="width: 33%; text-align: center;">REV. A</td> </tr> <tr> <td>6-18</td> <td>0.30</td> <td></td> </tr> <tr> <td>18-50</td> <td>0.50</td> <td></td> </tr> <tr> <td>50-120</td> <td>0.70</td> <td>Drawn / Date</td> </tr> <tr> <td>120-250</td> <td>0.90</td> <td>Checked / Date</td> </tr> <tr> <td>250-500</td> <td>1.20</td> <td>Approved / Date</td> </tr> </table>					REV. A	6-18	0.30		18-50	0.50		50-120	0.70	Drawn / Date	120-250	0.90	Checked / Date	250-500	1.20	Approved / Date
					REV. A																	
6-18	0.30																					
18-50	0.50																					
50-120	0.70				Drawn / Date																	
120-250	0.90	Checked / Date																				
250-500	1.20	Approved / Date																				
50-120	0.70	B. Grubb	01-25-07	JJH / 01-25-07																		
120-250	0.90																					
250-500	1.20																					