



Chipsmall Limited consists of a professional team with an average of over 10 year of expertise in the distribution of electronic components. Based in Hongkong, we have already established firm and mutual-benefit business relationships with customers from,Europe,America and south Asia,supplying obsolete and hard-to-find components to meet their specific needs.

With the principle of “Quality Parts,Customers Priority,Honest Operation,and Considerate Service”,our business mainly focus on the distribution of electronic components. Line cards we deal with include Microchip,ALPS,ROHM,Xilinx,Pulse,ON,Everlight and Freescale. Main products comprise IC,Modules,Potentiometer,IC Socket,Relay,Connector.Our parts cover such applications as commercial,industrial, and automotives areas.

We are looking forward to setting up business relationship with you and hope to provide you with the best service and solution. Let us make a better world for our industry!



Contact us

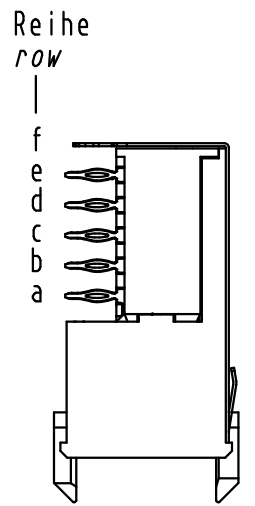
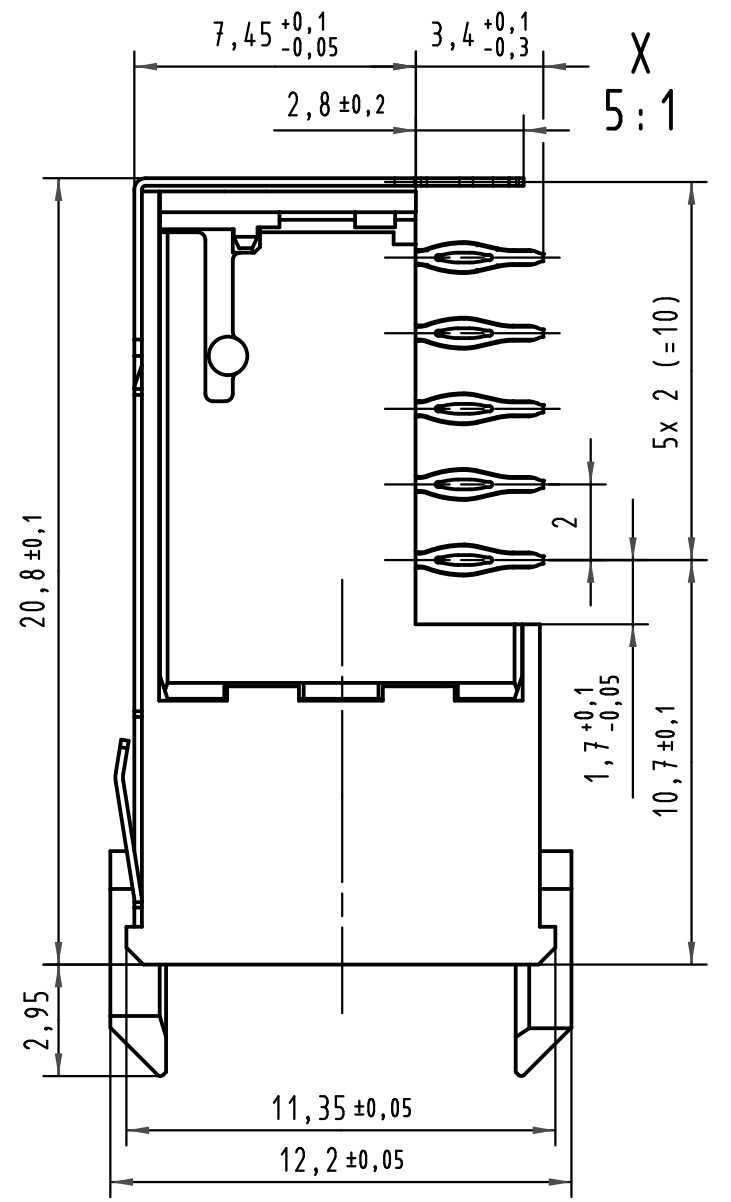
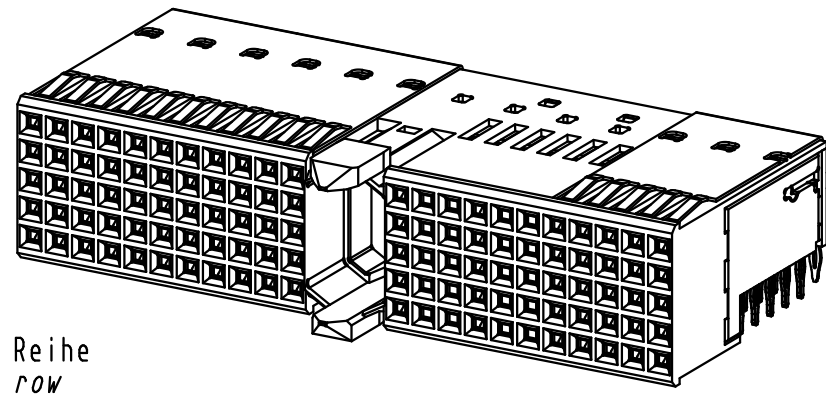
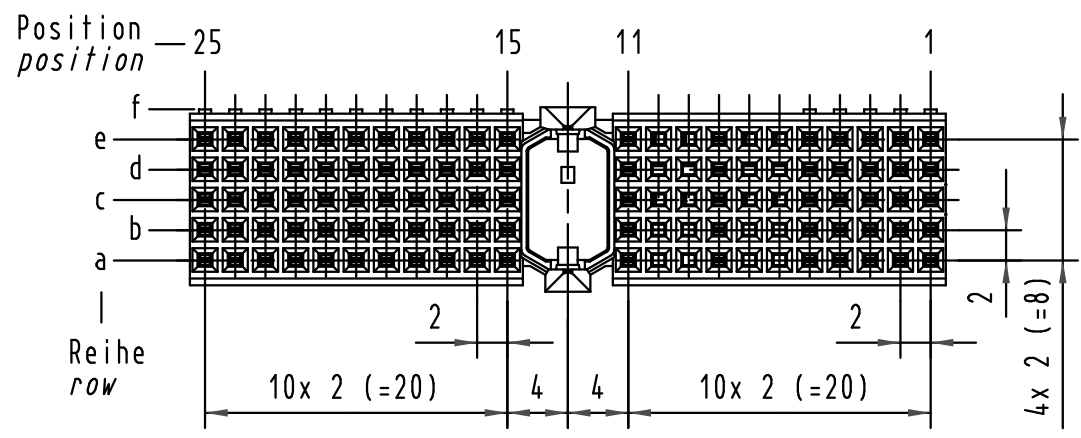
Tel: +86-755-8981 8866 Fax: +86-755-8427 6832

Email & Skype: info@chipsmall.com Web: www.chipsmall.com

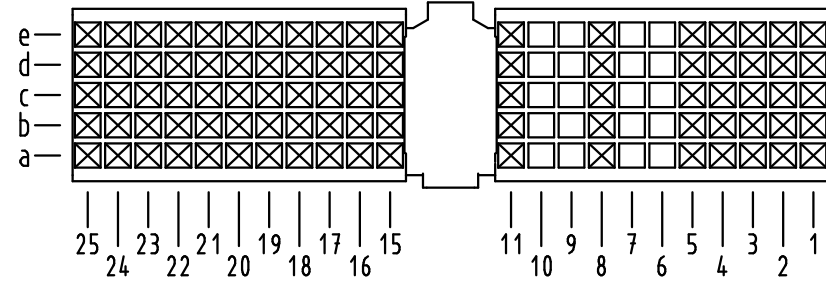
Address: A1208, Overseas Decoration Building, #122 Zhenhua RD., Futian, Shenzhen, China



Alle Rechte vorbehalten/ All rights reserved



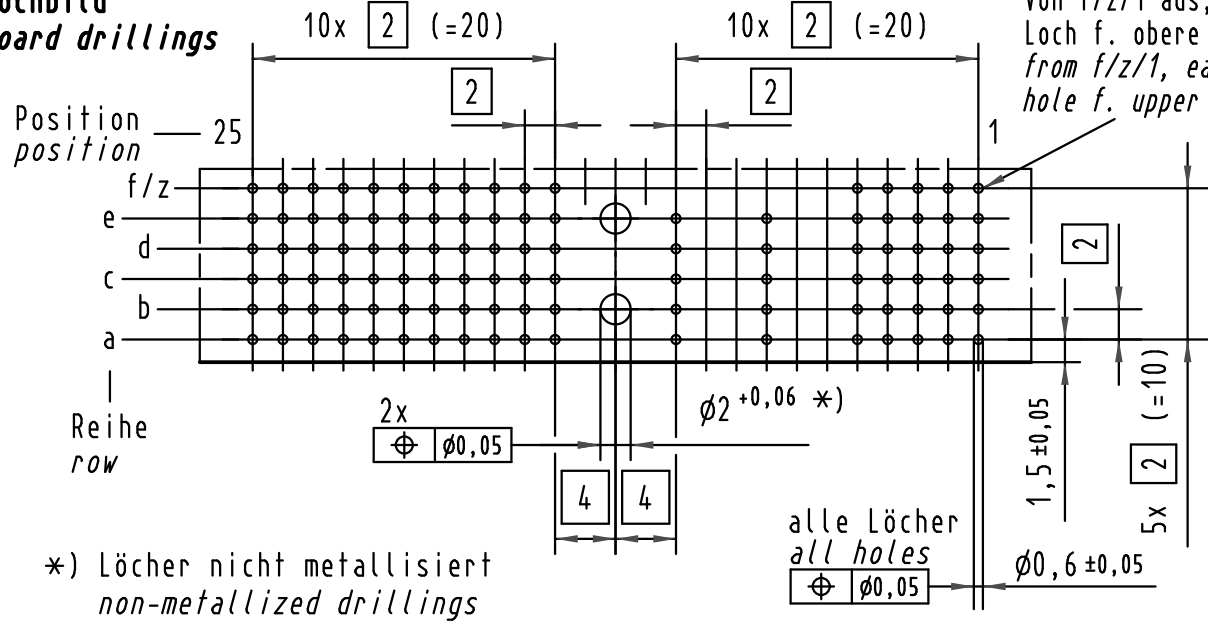
Y Kontaktbelegung
contact arrangement



- Kontaktposition belegt
position with contact
- Kontaktposition nicht belegt
position without contact

Bohrlochdurchmesser: $\phi 0,7 \pm 0,02$ mm
 Lochdurchmesser (mit Oberfläche): $\phi 0,6 \pm 0,05$ mm
drill hole dia.: $\phi 0,7 \pm 0,02$ mm
through hole dia. (after plating): $\phi 0,6 \pm 0,05$ mm

Lochbild
board drillings



Von f/z/1 aus, jedes 2. Loch f. obere Abschirmung
from f/z/1, each 2nd hole f. upper shielding

*) Löcher nicht metallisiert
non-metallized drillings

17 21 090 <u>4</u> 103	—	min. 0,76 μ m (30 μ m) Au über/over min. 1,27 μ m (50 μ m) Ni
17 21 090 <u>2</u> 103	2	Au über/over Ni
17 21 090 <u>1</u> 103	1	Au über/over Ni
Bestell-Nr. <i>part-no.</i>	Anforderungsstufe nach IEC <i>performance level acc. to IEC</i>	Kontaktoberfläche <i>contact plating</i>

		Techn. Character.			Nicht tolerierte Maß/Free size tolerances IEC 61076-4-101	
35456	01.12.08	TD	Dat.	Name	2:1 (5:1)	har-bus HM Federleiste Typ A, 90 pol. mit geteilter Schirmung Reihe-f <i>har-bus HM female connector, type A, 90 pol. with separated shield row-f</i>
32387	16.11.04	HL.	Insp.	Hm		
29412	07.05.01	Lk	Stand.	Ko		
28494	18.09.00	Koe				
26071	29.06.99	Hm				
26048			HARTING Electronics GmbH & Co. KG D-32339 ESPELKAMP			TB 17 21 090 x103 Sub.
Mod.	Dat.	Name				