



Chipsmall Limited consists of a professional team with an average of over 10 year of expertise in the distribution of electronic components. Based in Hongkong, we have already established firm and mutual-benefit business relationships with customers from,Europe,America and south Asia,supplying obsolete and hard-to-find components to meet their specific needs.

With the principle of "Quality Parts,Customers Priority,Honest Operation,and Considerate Service",our business mainly focus on the distribution of electronic components. Line cards we deal with include Microchip,ALPS,ROHM,Xilinx,Pulse,ON,Everlight and Freescale. Main products comprise IC,Modules,Potentiometer,IC Socket,Relay,Connector.Our parts cover such applications as commercial,industrial, and automotives areas.

We are looking forward to setting up business relationship with you and hope to provide you with the best service and solution. Let us make a better world for our industry!



Contact us

Tel: +86-755-8981 8866 Fax: +86-755-8427 6832

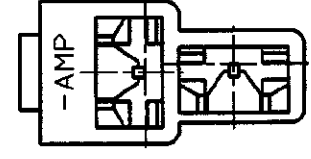
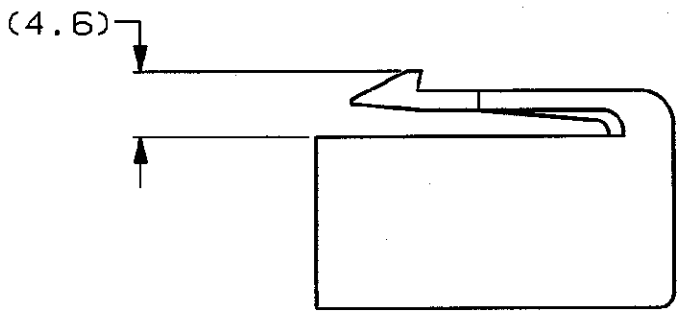
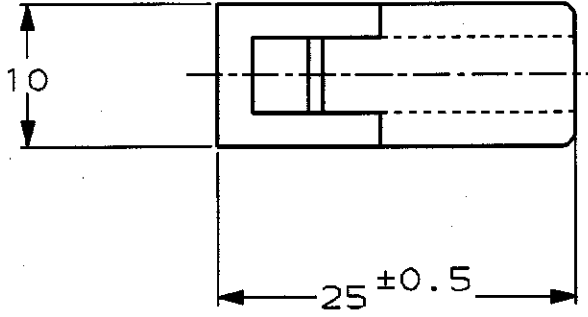
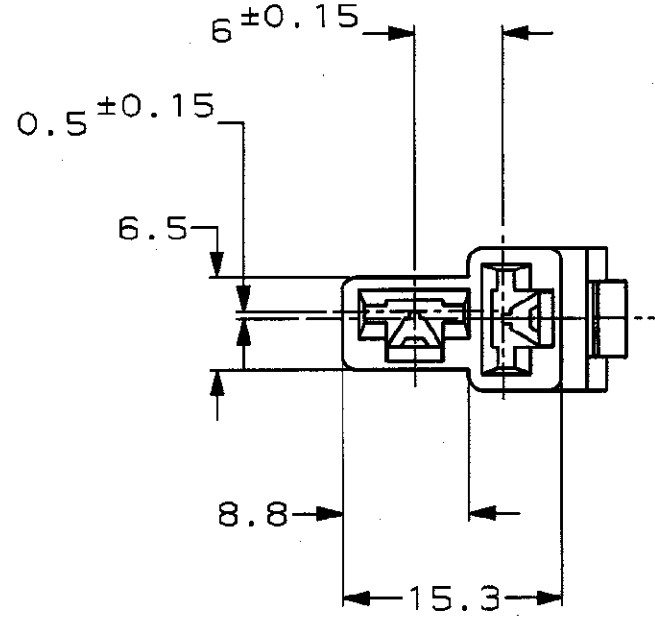
Email & Skype: info@chipsmall.com Web: www.chipsmall.com

Address: A1208, Overseas Decoration Building, #122 Zhenhua RD., Futian, Shenzhen, China



NUMBER C-172130
METRIC

PRINT DIST
単位: 概 DIMENSIONS IN MM. DO NOT SCALE PRINT



注;
 1. 嵌合する相手ハウジングは型番172129
 2. 使用端子は型番170342, 170343, 170350
 3. 製品規格: 108-5147

NOTE;
 1. THE MATING CAP HOUSING; P/N 172129
 2. APPLIED CONTACT; P/N 170342, 170343, 170350
 3. PRODUCT SPECIFICATION: 108-5147

△ OBSOLETE PARTS: OBSOLETE CIS STREAMLINING PER D.RENAUD/D.SINISI

	淡灰 (LIGHT GRAY)	6-172130-6
	赤 (RED)	172130-9
△ OBSOLETE	橙 (ORANGE)	8
	黄 (YELLOW)	-7
	灰 (GRAY)	-6
	青 (BLUE)	-5
	緑 (GREEN)	-4
	茶 (BROWN)	-3
	黒 (BLACK)	-2
	自然色 (NATURAL)	172130-1
	色 (COLOR)	型番 (P/N)



規格電線断面積 (WIRE RANGE) mm ² (AWG)	被覆外径 (INSULATION DIA.) mmφ	名称 (NAME) 250 シリーズ ハウジングランスコネクタ 2極 プラグ ハウジング
材料 (MATERIAL) 66 ナイロン (66 NYLON)	仕上 (FINISH) 色: 表参照 COLOR, SEE TABLE	250 SERIES HOUSING LANCE CONNECTOR 2Pos PLUG HOUSING
DR. J. Shinohara 1/18'94	DE. K. Yama 1/18'94	一般公差 (GENERAL TOLERANCE) 10以下: ±0.2 10以上 30以下: ±0.25 30以上 100以下: ±0.3 角 度: ±3°
D3 REVISED PER ECO-11-005030	RK HMR 22MAR11	尺度 (SCALE) 2-1
LTR 変更 (REVISION RECORD)	DR. J. Shinohara 1/18'94	REV. D3
CHK. -H	APP. D. Tomita 1/18'94	SHEET 1 OF 1

(CUSTOMER DRAWING) 参 考 面