



Chipsmall Limited consists of a professional team with an average of over 10 year of expertise in the distribution of electronic components. Based in Hongkong, we have already established firm and mutual-benefit business relationships with customers from,Europe,America and south Asia,supplying obsolete and hard-to-find components to meet their specific needs.

With the principle of “Quality Parts,Customers Priority,Honest Operation,and Considerate Service”,our business mainly focus on the distribution of electronic components. Line cards we deal with include Microchip,ALPS,ROHM,Xilinx,Pulse,ON,Everlight and Freescale. Main products comprise IC,Modules,Potentiometer,IC Socket,Relay,Connector.Our parts cover such applications as commercial,industrial, and automotives areas.

We are looking forward to setting up business relationship with you and hope to provide you with the best service and solution. Let us make a better world for our industry!



Contact us

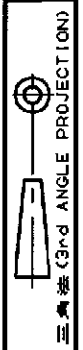
Tel: +86-755-8981 8866 Fax: +86-755-8427 6832

Email & Skype: info@chipsmall.com Web: www.chipsmall.com

Address: A1208, Overseas Decoration Building, #122 Zhenhua RD., Futian, Shenzhen, China



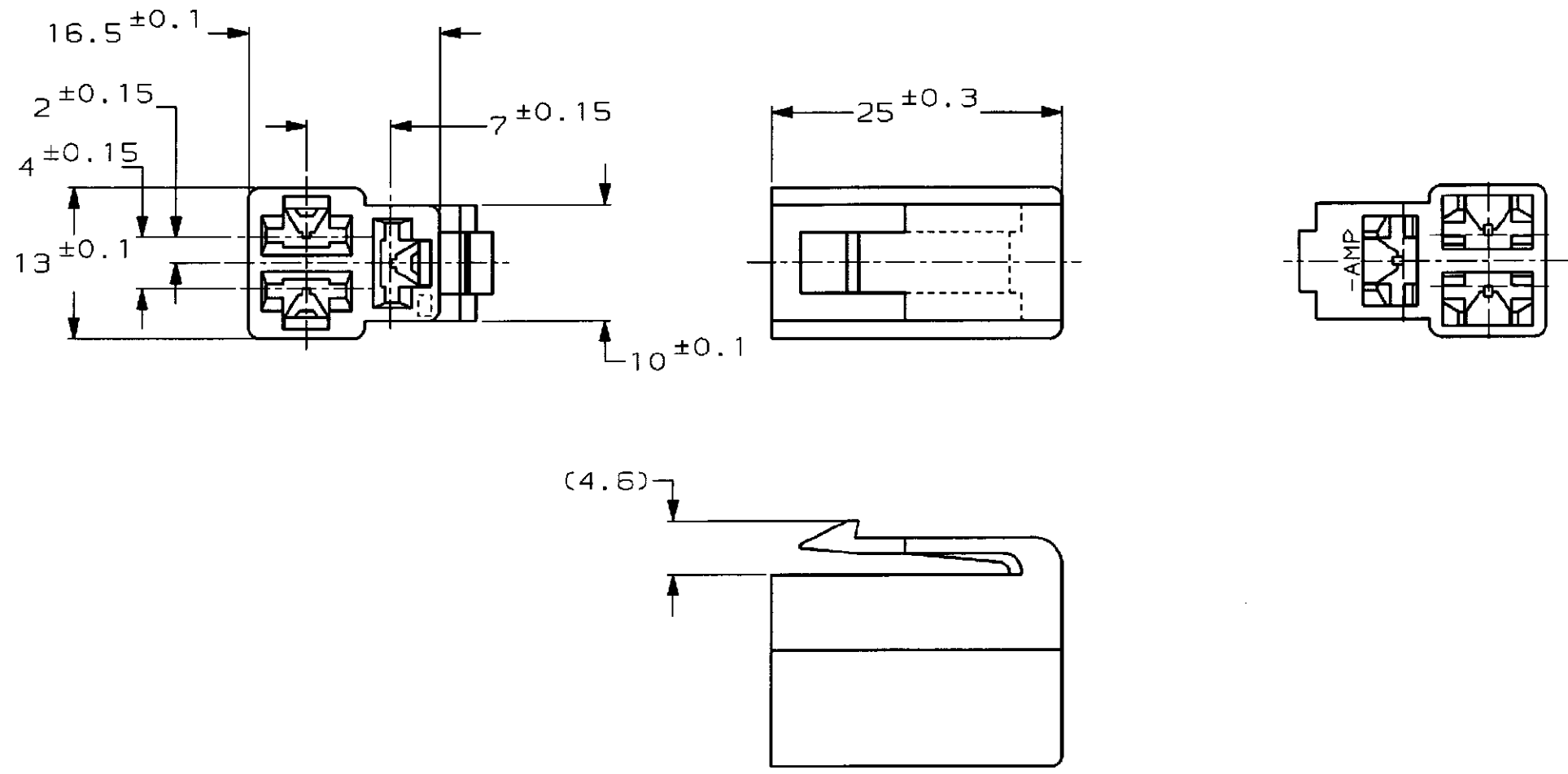
NUMBER C-172132



METRIC

単位: mm DIMENSIONS IN MM. DO NOT SCALE PRINT

PRINT DIST



注;
 1. 嵌合する相手ハウジングは型番172131
 2. 使用端子は型番170342, 170343, 170350

NOTE;
 1. THE MATING CAP HOUSING; P/N 172131
 2. APPLIED CONTACT; P/N 170342, 170343, 170350

3 OBSOLETE PARTS: OBSOLETE CIS STREAMLINING PER D.RENAUD/D.SINISI

	自然色 (NATURAL)	1-172132-1
3 OBSOLETE	淡灰 (LIGHT GRAY)	6- -6
	赤 (RED)	-9
	橙 (ORANGE)	-8
3 OBSOLETE	灰 (GRAY)	-6
	青 (BLUE)	-5
	緑 (GREEN)	-4
3 OBSOLETE	茶 (BROWN)	-3
	黒 (BLACK)	-2
	自然色 (NATURAL)	172132-1
	色 (COLOR)	型番 (P/N)

D2	REVISED PER ECO-11-005030	RK	HMR	24MAR11
LTR	変更 (REVISION RECORD)	DR	CHK	DATE

		名称 (NAME) 250 シリーズ ハウジングランスコネクタ 3極 プラグ ハウジング 250 SERIES HOUSING LANCE CONNECTOR 3Pos PLUG HOUSING	
絶縁導線断面積 (WIRE RANGE) mm ² (AWG)	絶縁外径 (INSULATION DIA.) mmφ	一般公差 (GENERAL TOLERANCE) 10以下: ±0.2 10を超え30以下: ±0.25 30を超え100以下: ±0.3 角 度: ±3°	番号 (No.) C-172132
材料 (MATERIAL) 66 ナイロン (66 NYLON)	仕上 (FINISH) 色: 表参照 COLOR: SEE TABLE	尺度 (SCALE) 2-1	REV. D2
DR. J. Sindlara 1/18'94 DE. K. yusa 1/18'94 APP. D. Tomita 1/18'94	尺度 (SCALE) 2-1	REV. D2	SHEET 1 OF 1