



Chipsmall Limited consists of a professional team with an average of over 10 year of expertise in the distribution of electronic components. Based in Hongkong, we have already established firm and mutual-benefit business relationships with customers from,Europe,America and south Asia,supplying obsolete and hard-to-find components to meet their specific needs.

With the principle of “Quality Parts,Customers Priority,Honest Operation,and Considerate Service”,our business mainly focus on the distribution of electronic components. Line cards we deal with include Microchip,ALPS,ROHM,Xilinx,Pulse,ON,Everlight and Freescale. Main products comprise IC,Modules,Potentiometer,IC Socket,Relay,Connector.Our parts cover such applications as commercial,industrial, and automotives areas.

We are looking forward to setting up business relationship with you and hope to provide you with the best service and solution. Let us make a better world for our industry!



## Contact us

Tel: +86-755-8981 8866 Fax: +86-755-8427 6832

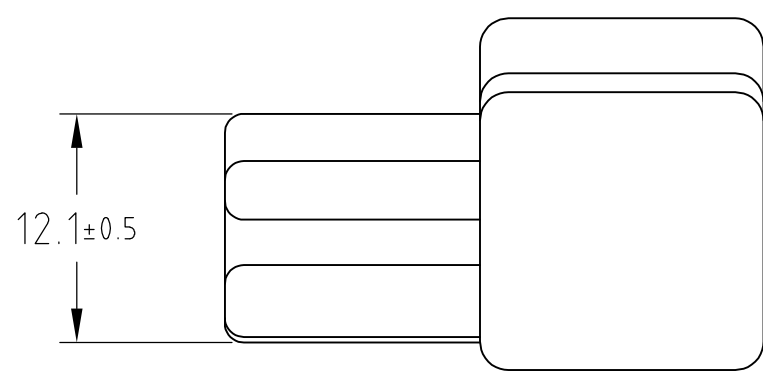
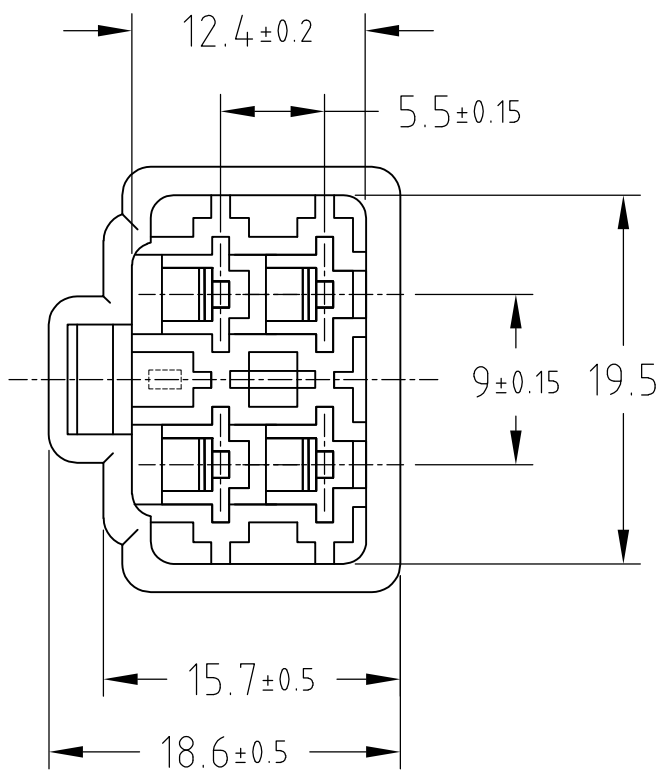
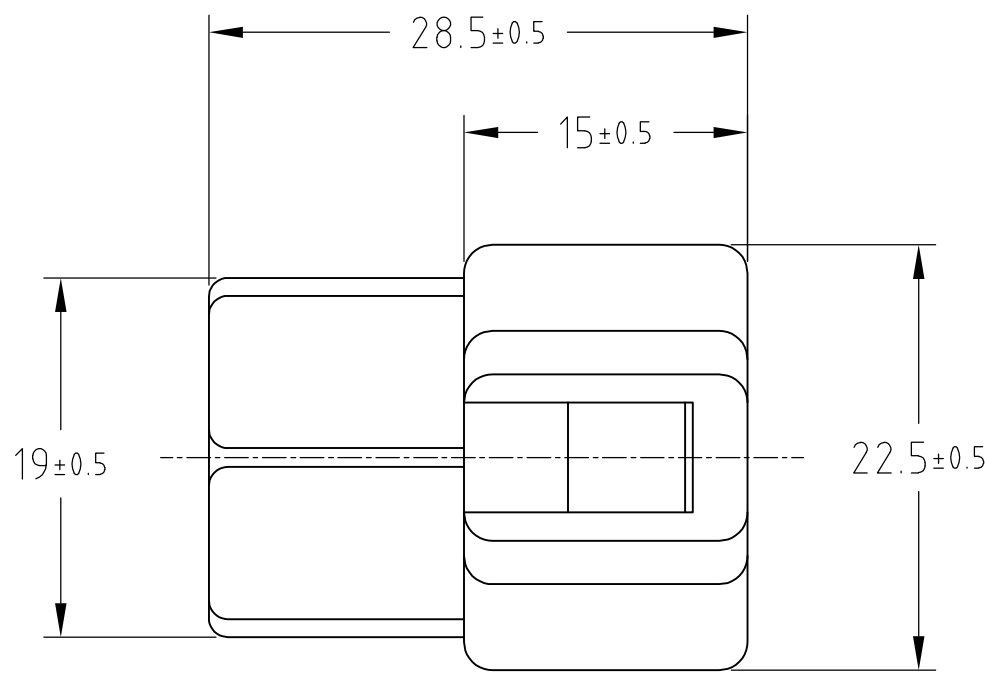
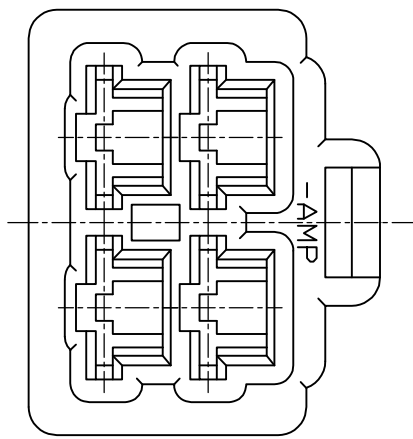
Email & Skype: info@chipsmall.com Web: www.chipsmall.com

Address: A1208, Overseas Decoration Building, #122 Zhenhua RD., Futian, Shenzhen, China



THIS DRAWING IS UNPUBLISHED. RELEASED FOR PUBLICATION  
 © COPYRIGHT - By - ALL RIGHTS RESERVED.


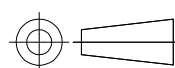
LOC	DIST	REVISIONS					
J	-	P	LTR	DESCRIPTION	DATE	DWN	APVD
			F1	REVISED PER ECO-11-005030	11MAR11	RK	HMR



赤 RED	172133-9
黄色 YELLOW	172133-7
青 BLUE	172133-5
緑 GREEN	172133-4
黒 BLACK	172133-2
自然色 NATURAL	172133-1
色 COLOR	型番 P/N

- 注記
- かん合相手ハウジングは型番172134
  - 使用端子は型番170340,170341,170349

- NOTE
- THE MATING PLUG HOUSING : P/N172134
  - APPLIED CONTACT : P/N 170340,170341,170349

THIS DRAWING IS A CONTROLLED DOCUMENT.		DWN J.SATO 17JAN2008	 TE Connectivity			
DIMENSIONS: 単位: 耗 mm		CHK S.MANABE 04JAN2008				
TOLERANCES UNLESS OTHERWISE SPECIFIED: 一般公差		APVD S.MANABE 04JAN2008	NAME 名称 250 SERIES HOUSING LANCE CONNECTOR 4POS CAP HOUSING			
		PRODUCT SPEC 製品規格 108-5147	SIZE	CAGE CODE	DRAWING NO 番号 A300779 C-172133	RESTRICTED TO
MATERIAL 材料 6/6 NYLON		ANGLES 仕上 ±3°	WEIGHT		SCALE 尺度 NONE	SHEET 1 OF 1
CUSTOMER DRAWING			REV F1			