



Chipsmall Limited consists of a professional team with an average of over 10 year of expertise in the distribution of electronic components. Based in Hongkong, we have already established firm and mutual-benefit business relationships with customers from,Europe,America and south Asia,supplying obsolete and hard-to-find components to meet their specific needs.

With the principle of “Quality Parts,Customers Priority,Honest Operation,and Considerate Service”,our business mainly focus on the distribution of electronic components. Line cards we deal with include Microchip,ALPS,ROHM,Xilinx,Pulse,ON,Everlight and Freescale. Main products comprise IC,Modules,Potentiometer,IC Socket,Relay,Connector.Our parts cover such applications as commercial,industrial, and automotives areas.

We are looking forward to setting up business relationship with you and hope to provide you with the best service and solution. Let us make a better world for our industry!



Contact us

Tel: +86-755-8981 8866 Fax: +86-755-8427 6832

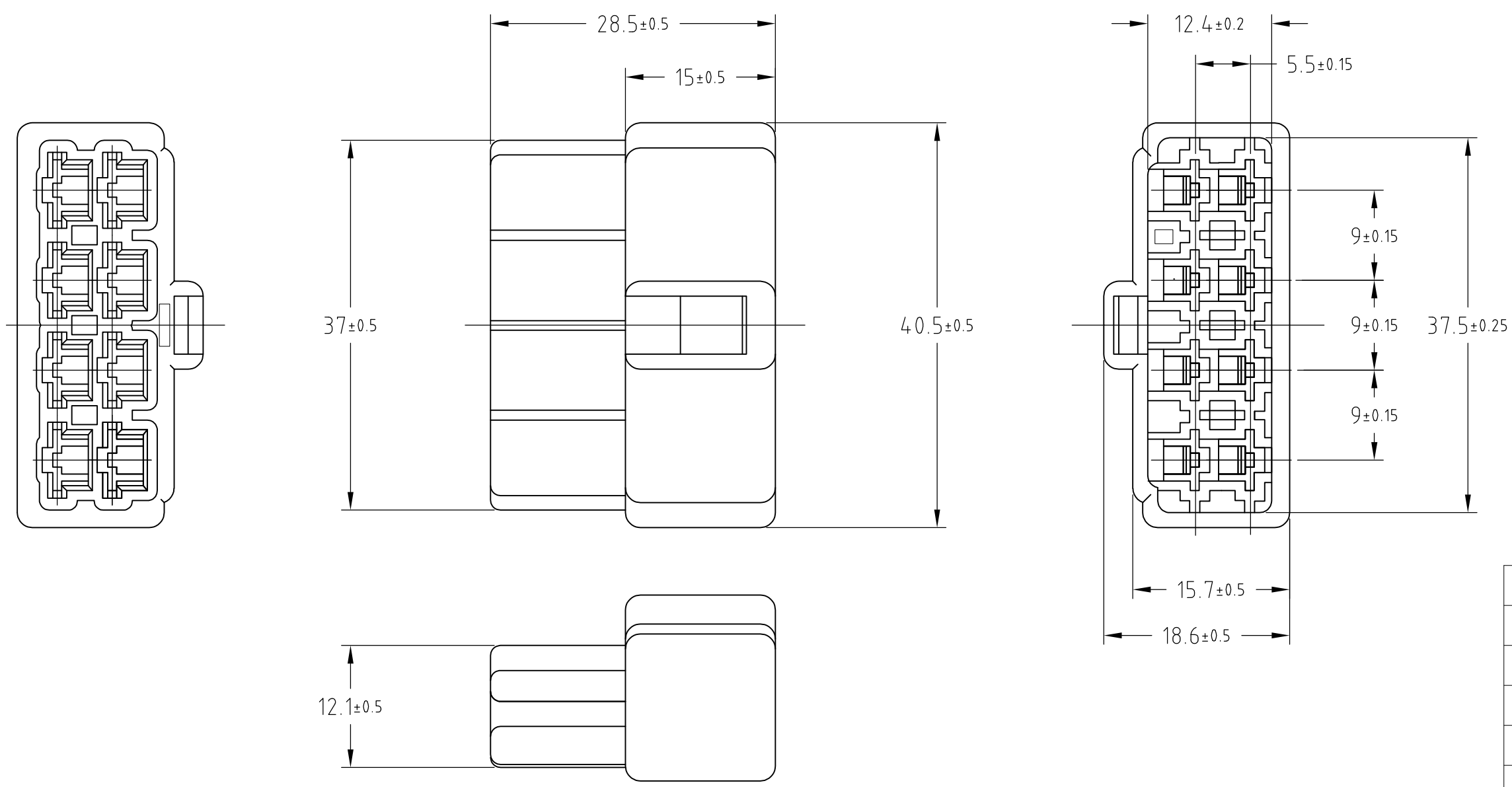
Email & Skype: info@chipsmall.com Web: www.chipsmall.com

Address: A1208, Overseas Decoration Building, #122 Zhenhua RD., Futian, Shenzhen, China



THIS DRAWING IS UNPUBLISHED. RELEASED FOR PUBLICATION
 © COPYRIGHT - By - ALL RIGHTS RESERVED.


REVISIONS 変更				
P	LTR	DESCRIPTION	DATE	APVD
	F1	REVISED PER ECR-16-015261	28OCT2016	RS TD



LIGHT GRAY	6-172135-6
RED	-9
ORANGE	-8
YELLOW	-7
GRAY	-6
BLUE	-5
GREEN	-4
BROWN	-3
BLACK	-2
NATURAL	172135-1
色調 COLOR	型番 PART NUMBER

注記
 1. かん合する相手ハウジングは型番172136
 2. 使用端子は型番170340,170341,170349

NOTES
 1. THE MATING PLUG HOUSING P/N : 172136
 2. APPLIED CONTACT P/N : 170340,170341,170349

THIS DRAWING IS A CONTROLLED DOCUMENT.		DWN J.SATO 15OCT2008	 TE Connectivity	
DIMENSIONS: 単位: 耗 mm		CHK S.MANABE 15OCT2008		
TOLERANCES UNLESS OTHERWISE SPECIFIED: 一般公差		APVD S.MANABE 15OCT2008	NAME 名称 250 SERIES HOUSING LANCE CONNECTOR 8POS CAP HOUSING	
0 PLC ± 0.2 1 PLC ± 0.25 2 PLC ± 0.3 3 PLC ± 4 PLC ± ANGLES ± 3°		PRODUCT SPEC 製品規格	SIZE A3	
MATERIAL 材料 6/6 NYLON		APPLICATION SPEC 取付適用規格	CAGE CODE 00779	DRAWING NO 番号 G-172135
FINISH 仕上		WEIGHT	RESTRICTED TO —	
		CUSTOMER DRAWING		SCALE 尺度 2:1
				SHEET 1 OF 1
				REV F1