



Chipsmall Limited consists of a professional team with an average of over 10 year of expertise in the distribution of electronic components. Based in Hongkong, we have already established firm and mutual-benefit business relationships with customers from,Europe,America and south Asia,supplying obsolete and hard-to-find components to meet their specific needs.

With the principle of “Quality Parts,Customers Priority,Honest Operation,and Considerate Service”,our business mainly focus on the distribution of electronic components. Line cards we deal with include Microchip,ALPS,ROHM,Xilinx,Pulse,ON,Everlight and Freescale. Main products comprise IC,Modules,Potentiometer,IC Socket,Relay,Connector.Our parts cover such applications as commercial,industrial, and automotives areas.

We are looking forward to setting up business relationship with you and hope to provide you with the best service and solution. Let us make a better world for our industry!



## Contact us

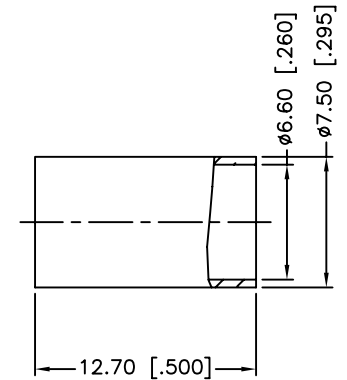
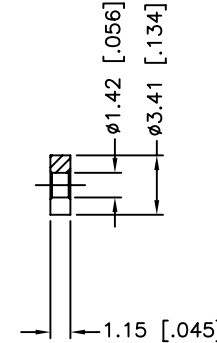
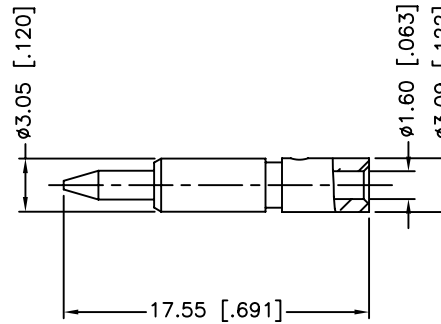
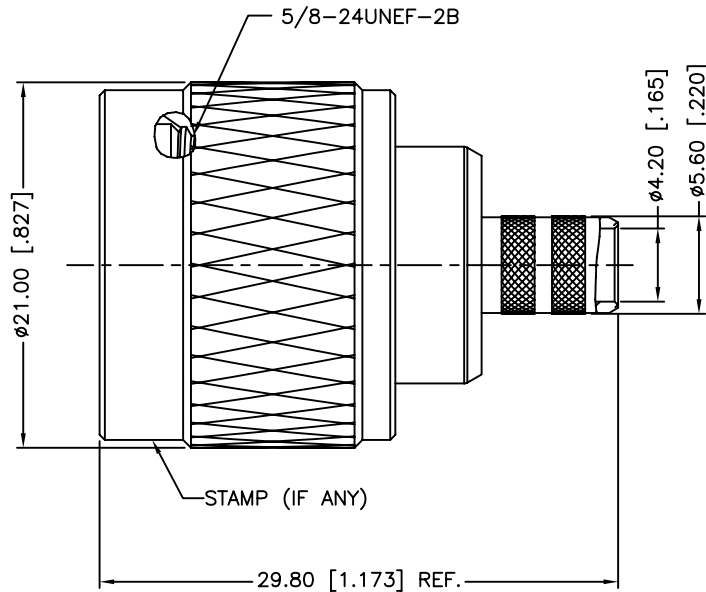
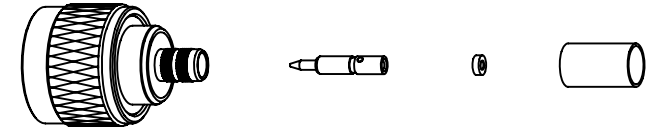
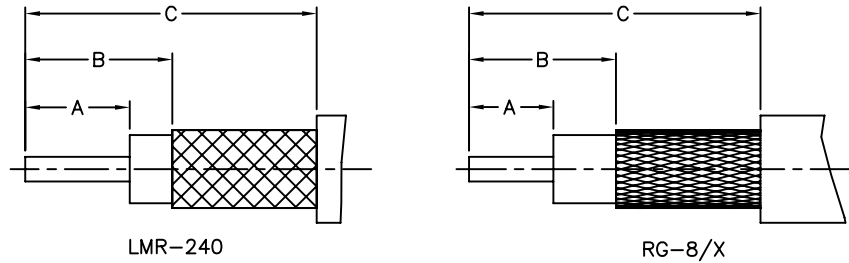
Tel: +86-755-8981 8866 Fax: +86-755-8427 6832

Email & Skype: info@chipsmall.com Web: www.chipsmall.com

Address: A1208, Overseas Decoration Building, #122 Zhenhua RD., Futian, Shenzhen, China



REV.	DATE	ECR NO.	DESCRIPTION
A	04/31/03	XXXX	UPDATE DRAWING FORMAT
B	03/16/12	2289	INSULATOR,BARREL,CONTACT PIN WERE CHANGED
C	06/05/13	2500	INSULATOR,CONTACT PIN WERE CHANGED, ADD SMALL INSULATOR
D	11/08/13	2544	CONTACT PIN WAS CHANGED, ADD NOTE #10, MODIFY STRIPPING DIMENSIONS



1. IMPEDANCE: 50 OHM
2. FREQUENCY RANGE: DC-11 GHz
3. VSWR: 1.3 MAX. @ 0-6 GHz
4. INSERTION LOSS: 0.7dB MAX.@ 0-5.8 GHz
5. DIELECTRIC WITHSTANDING VOLTAGE: 2500 VRMS, MIN.
6. DURABILITY: 500 CYCLES MIN.
7. TEMPERATURE RANGE: -65°C TO +165°C
8. CRIMPED FERRULE:  
HEX. CRIMP SIZE .255"
9. CRIMPED CONTACT PIN OR SOLDER  
HEX. CRIMP SIZE .100"
10. SEE TABLE A FOR RECOMMENDED CABLE STRIPPING DIMENSIONS

CABLE TYPE	DIMENSION A	DIMENSION B	DIMENSION C	SPACER REQUIRED
LMR-240	6.00 [.236]	8.45 [.333]	16.75 [.659]	YES
RG-8/X	4.85 [.191]	8.45 [.333]	16.75 [.659]	NO

DESCRIPTION	MATERIAL	FINISH	QTY	
9	FERRULE	BRASS	NEXCOTE	1
8	SPACER	PTFE	NATURAL	1
7	CONTACT PIN	BRASS	GOLD	1
6	RETAINER RING	SUS 304	NATURAL	1
5	GASKET	SILICONE	RED	1
4	INSULATOR	PTFE	NATURAL	1
3	BARREL	BRASS	NEXCOTE	1
2	BODY	BRASS	NEXCOTE	1
1	SHELL	BRASS	NEXCOTE	1

UNLESS OTHERWISE SPECIFIED DIMENSIONS ARE IN MILLIMETERS. DIMENSIONS IN [ ] ARE IN INCHES AND FOR CUSTOMER REFERENCE ONLY.  
UNLESS OTHERWISE SPECIFIED  
TOLERANCES FOR MILLIMETERS ARE:  
 <0.5 ± 0.05mm  
 0.5 - 6mm ± 0.10mm  
 6 - 30mm ± 0.20mm  
 30 - 120mm ± 0.30mm  
 ANGLES ± 1°  
 UNLESS OTHERWISE SPECIFIED  
 TOLERANCES FOR INCHES ARE:  
 <.020 ± 0.002"  
 .020 - .236 ± 0.004"  
 .236 - 1.180 ± 0.007"  
 1.180 - 4.724 ± 0.012"  
 ANGLES ± 1°  
 DO NOT SCALE DRAWING

APPROVALS	DATE
DRAWN M.ZHANG	11/08/13
CHECKED	
ISSUED	
SHEET 1 OF 1	
CAD FILE	C:/CONNEX/172135.DWG

**Amphenol Connex**

PART DESCRIPTION  
**N CRIMP PLUG  
(FOR LMR-240, RG-8/X CABLE)**

PART NO. **172135**

DWG. NO. 172135.DWG	REV. D	SIZE A	SCALE NA
---------------------	--------	--------	----------