



Chipsmall Limited consists of a professional team with an average of over 10 year of expertise in the distribution of electronic components. Based in Hongkong, we have already established firm and mutual-benefit business relationships with customers from,Europe,America and south Asia,supplying obsolete and hard-to-find components to meet their specific needs.

With the principle of “Quality Parts,Customers Priority,Honest Operation,and Considerate Service”,our business mainly focus on the distribution of electronic components. Line cards we deal with include Microchip,ALPS,ROHM,Xilinx,Pulse,ON,Everlight and Freescale. Main products comprise IC,Modules,Potentiometer,IC Socket,Relay,Connector.Our parts cover such applications as commercial,industrial, and automotives areas.

We are looking forward to setting up business relationship with you and hope to provide you with the best service and solution. Let us make a better world for our industry!



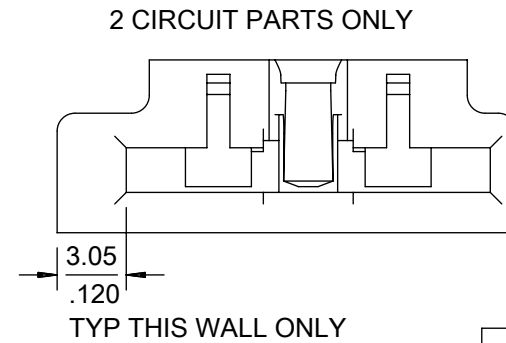
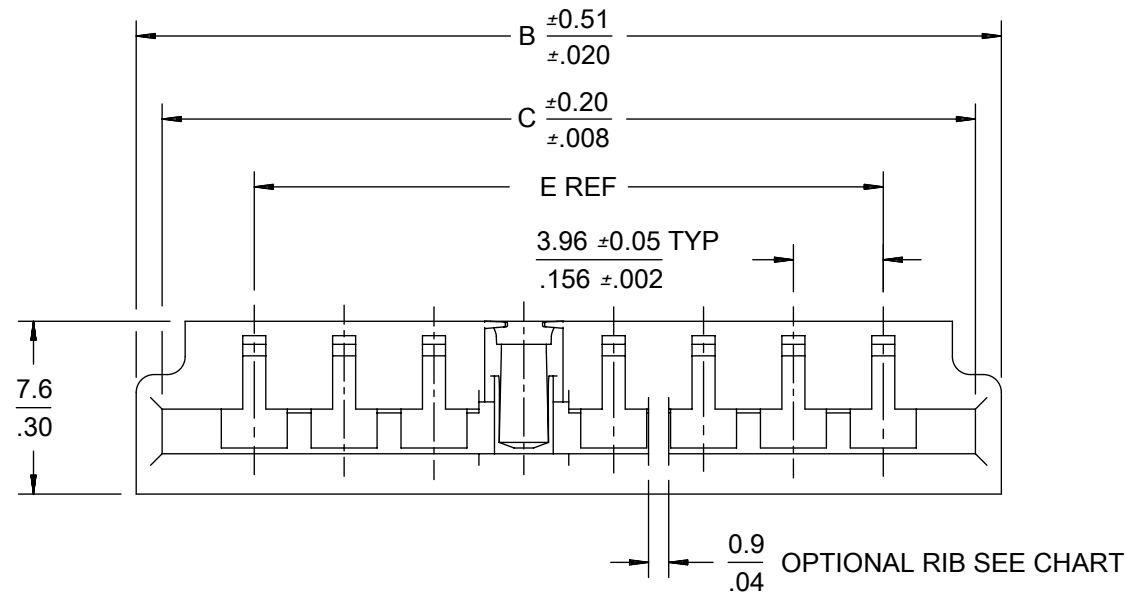
Contact us

Tel: +86-755-8981 8866 Fax: +86-755-8427 6832

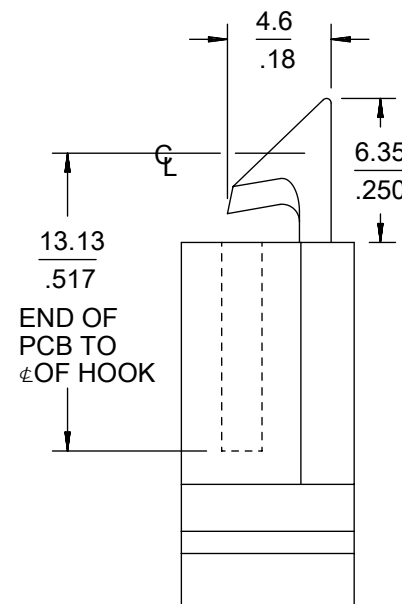
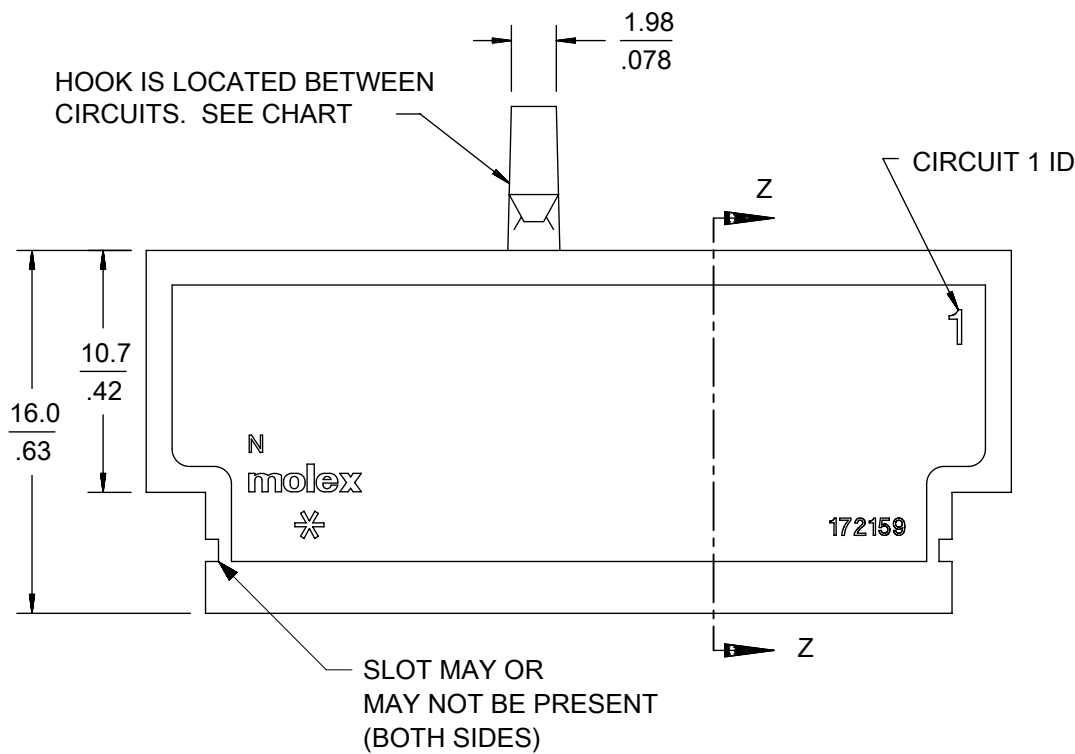
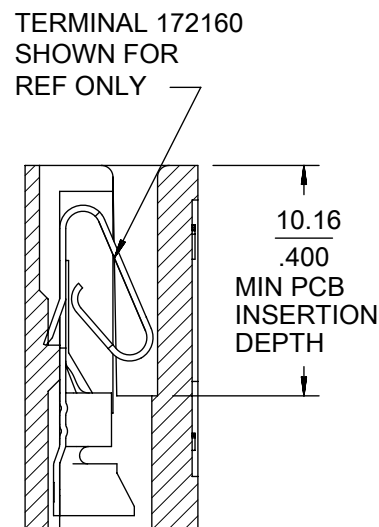
Email & Skype: info@chipsmall.com Web: www.chipsmall.com

Address: A1208, Overseas Decoration Building, #122 Zhenhua RD., Futian, Shenzhen, China

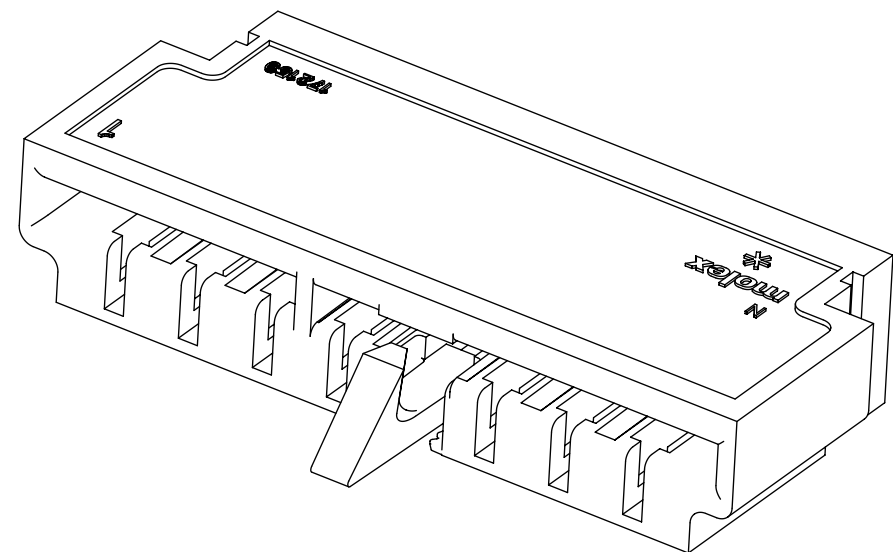




- NOTES:
1. MATERIAL: NYLON, UL 94V-2, WHITE
 2. FINISH: N/A
 3. PRODUCT SPECIFICATION: PS-172160-0001
 4. PACKAGING SPECIFICATION: PK-172159-0001
 5. COSMETIC SPEC: PS-45499-002 CLASS B
 6. HOUSING ACCEPTS TERMINAL: 172160
 7. THIS PART WITHOUT THE HOOK SEE SD-172159-0000
 8. DIMENSION TO BE 2.54-2.79/.100-.110 TO POLARIZE HOUSING AND PCB.

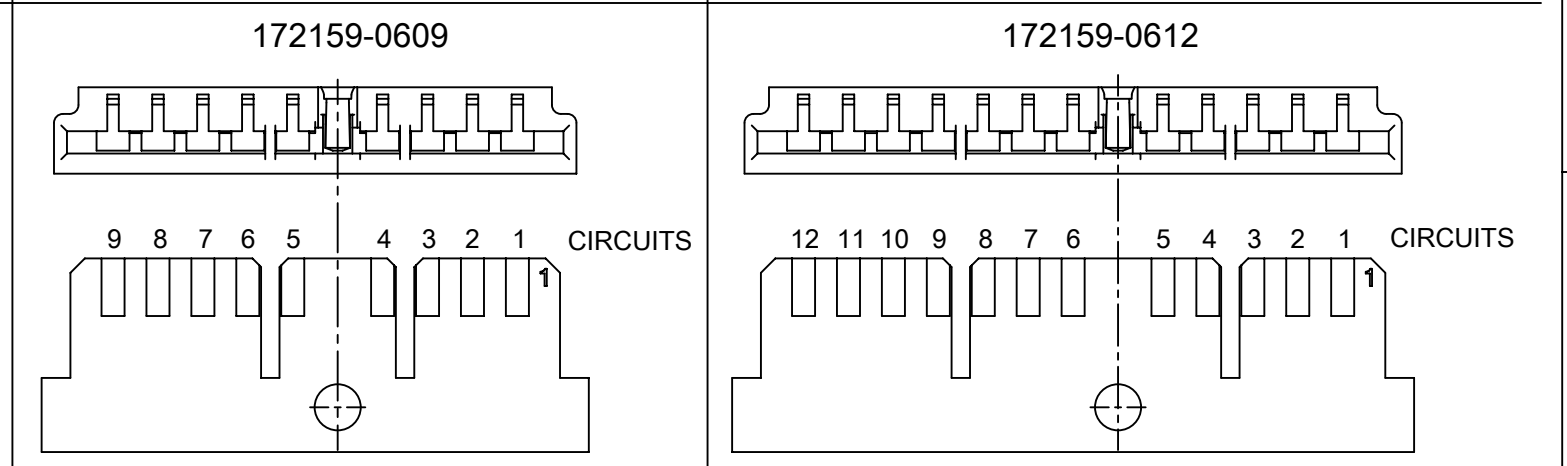
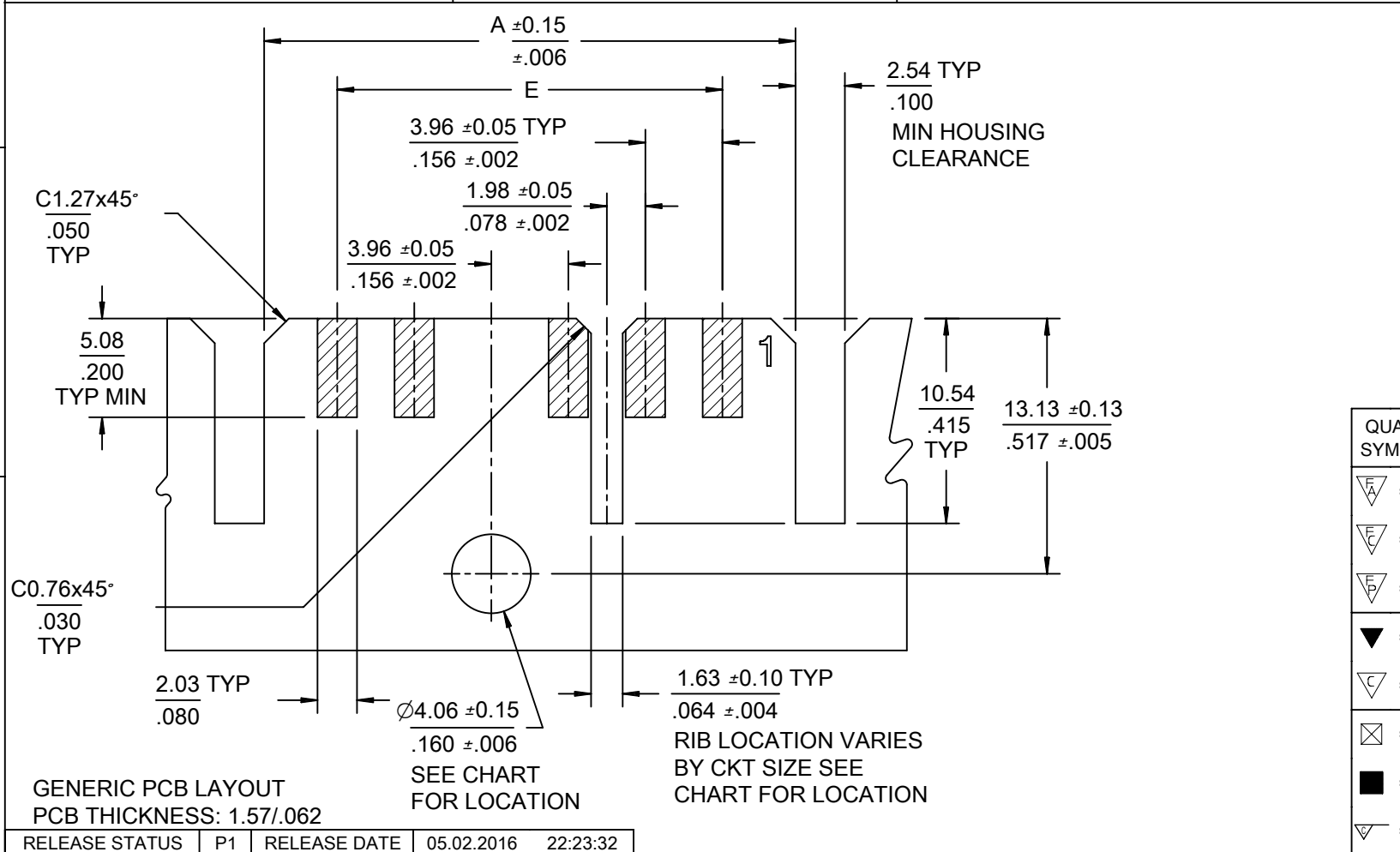
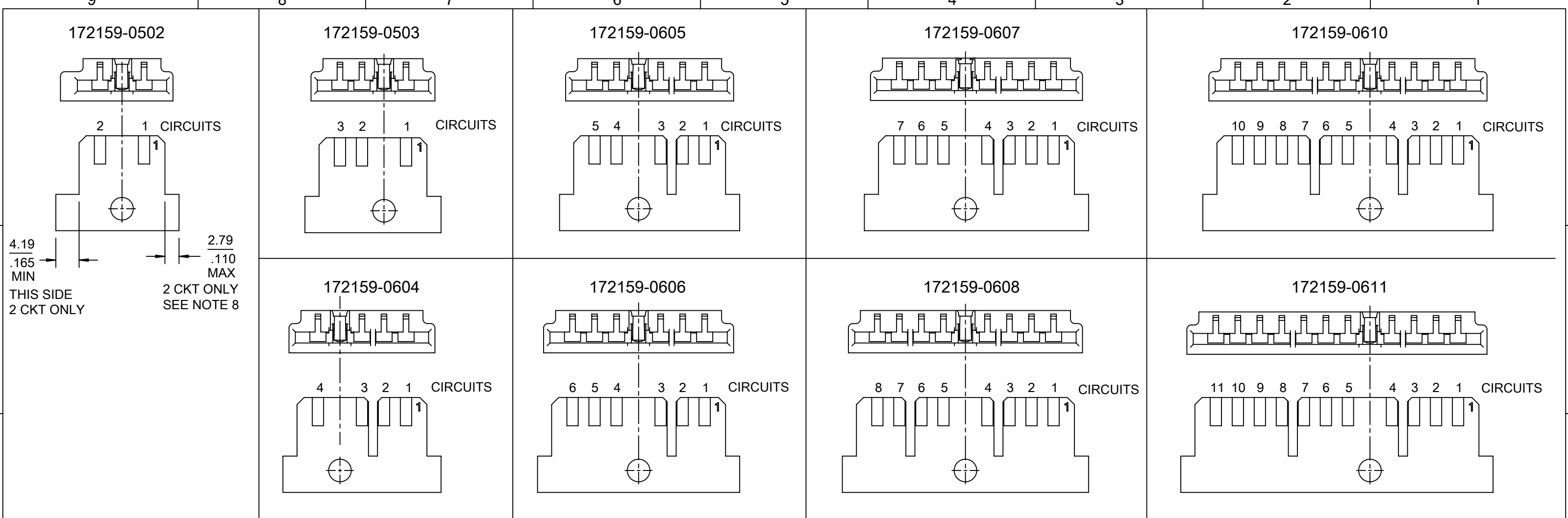


CKTS	MATERIAL NO	HOOK	POL RIB	DIM A	DIM B	DIM C	DIM E
02	172159-0502	1-2	N/A	15.70 .618	20.24 .797	16.05 .632	7.92 .312
03	172159-0503	1-2	N/A	19.66 .774	22.30 .878	20.02 .788	11.89 .468
04	172159-0604	3-4	2-3	23.42 .922	26.26 1.034	23.98 .944	15.85 .624
05	172159-0605	3-4	2-3	27.38 1.078	30.23 1.190	27.94 1.100	19.81 .780
06	172159-0606	3-4	2-3	31.29 1.232	34.19 1.346	31.90 1.256	23.77 .936
07	172159-0607	4-5	3-4	35.26 1.388	38.15 1.502	35.86 1.412	27.74 1.092
08	172159-0608	4-5	3-4, 6-7	39.22 1.544	42.11 1.658	39.83 1.568	31.70 1.248
09	172159-0609	4-5	3-4, 5-6	43.18 1.700	46.08 1.814	43.79 1.724	35.66 1.404
10	172159-0610	4-5	3-4, 6-7	47.09 1.854	50.04 1.970	47.75 1.880	39.62 1.560
11	172159-0611	4-5	3-4, 7-8	51.05 2.010	54.00 2.126	51.71 2.036	43.59 1.716
12	172159-0612	5-6	3-4, 8-9	54.97 2.164	57.96 2.282	55.68 2.192	47.55 1.872



THIS DRAWING CONTAINS INFORMATION THAT IS PROPRIETARY TO MOLEX ELECTRONIC TECHNOLOGIES, LLC AND SHOULD NOT BE USED WITHOUT WRITTEN PERMISSION

QUALITY SYMBOLS	ADD SLOT NOTE EC NO: 101899 DRWN: MKIPPER CHKD: JBELL APPR: FSMITH 2015/11/23 2016/01/22 2016/02/05	GENERAL TOLERANCES (UNLESS SPECIFIED)	DIMENSION UNITS	SCALE		
		ANGULAR TOL ± 0.5 °	MM/IN	3:1		
4 PLACES ±	DRWN BY	DATE	EDGEMATE CONNECTOR 3.96/.156 CENTER WITH HOOK			
3 PLACES ±	KSAMIEC	2014/05/05				
2 PLACES ± 0.25	CHK'D BY	DATE	PRODUCT CUSTOMER DRAWING			
1 PLACE ± 0.38	APPR BY	DATE				
0 PLACES ±	JCOMERCI	2014/05/19	SERIES	MATERIAL NUMBER	CUSTOMER	
DRAFT WHERE APPLICABLE MUST REMAIN WITHIN DIMENSIONS	DRAWING SIZE	THIRD ANGLE PROJECTION	172159	SEE CHART	GENERAL MARKET	
	B		DOCUMENT NUMBER	DOC TYPE	DOC PART	SHEET NUMBER
			SD-172159-0002	PSD	000	1 OF 2



THIS DRAWING CONTAINS INFORMATION THAT IS PROPRIETARY TO MOLEX ELECTRONIC TECHNOLOGIES, LLC AND SHOULD NOT BE USED WITHOUT WRITTEN PERMISSION										
QUALITY SYMBOLS	ADD SLOT NOTE EC NO: 101899 DRWN: MKIPPER CHKD: JBELL APPR: FSMITH	GENERAL TOLERANCES (UNLESS SPECIFIED)		DIMENSION UNITS	SCALE					
		ANGULAR TOL ± 0.5 °		MM/IN	1.5:1					
▽ = 0	B8 REV	4 PLACES ±	DRWN BY	DATE		EDGEMATE CONNECTOR 3.96/.156 CENTER WITH HOOK				
▽ = 0		3 PLACES ±	KSAMIEC	2014/05/05						
▽ = 0		2 PLACES ± 0.25	CHK'D BY	DATE		PRODUCT CUSTOMER DRAWING				
▽ = 0		1 PLACE ± 0.38	APPR BY	DATE						
▽ = 0		0 PLACES ±	JCOMERCI	2014/05/19		SERIES	MATERIAL NUMBER	CUSTOMER		
▽ = 0		DRAFT WHERE APPLICABLE MUST REMAIN WITHIN DIMENSIONS	DRAWING SIZE	THIRD ANGLE PROJECTION		172159	SEE CHART	GENERAL MARKET		
▽ = 0		B			DOCUMENT NUMBER	DOC TYPE	DOC PART	SHEET NUMBER		
					SD-172159-0002	PSD	000	2 OF 2		