



Chipsmall Limited consists of a professional team with an average of over 10 year of expertise in the distribution of electronic components. Based in Hongkong, we have already established firm and mutual-benefit business relationships with customers from,Europe,America and south Asia,supplying obsolete and hard-to-find components to meet their specific needs.

With the principle of "Quality Parts,Customers Priority,Honest Operation,and Considerate Service",our business mainly focus on the distribution of electronic components. Line cards we deal with include Microchip,ALPS,ROHM,Xilinx,Pulse,ON,Everlight and Freescale. Main products comprise IC,Modules,Potentiometer,IC Socket,Relay,Connector.Our parts cover such applications as commercial,industrial, and automotives areas.

We are looking forward to setting up business relationship with you and hope to provide you with the best service and solution. Let us make a better world for our industry!



Contact us

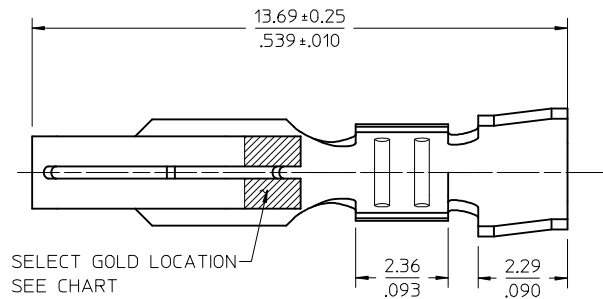
Tel: +86-755-8981 8866 Fax: +86-755-8427 6832

Email & Skype: info@chipsmall.com Web: www.chipsmall.com

Address: A1208, Overseas Decoration Building, #122 Zhenhua RD., Futian, Shenzhen, China

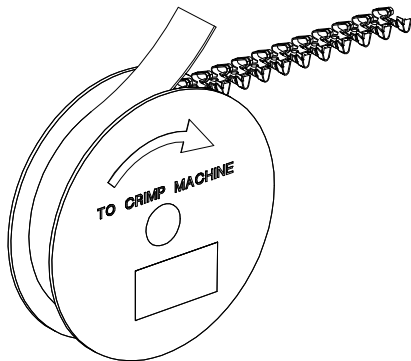
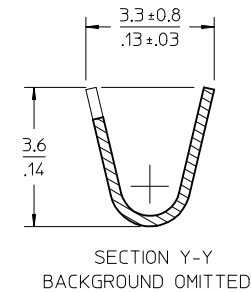
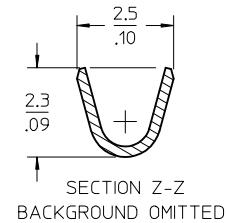
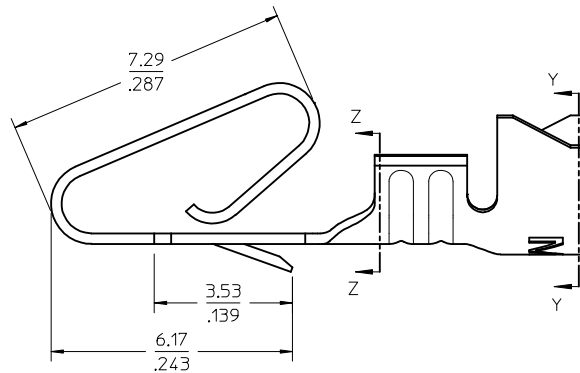
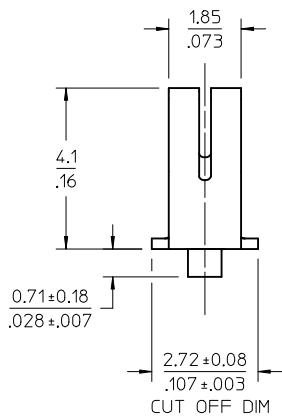


10 9 8 7 6 5 4 3 2 1



NOTES:

1. MATERIAL: PHOS BRONZE OR BRASS, SEE CHART
2. FINISH-1: PREPLATED OVERALL TIN: 0.00254/.000100 MIN
FINISH-2: SELECT GOLD: 0.00038/.000015 MIN OVER
0.00127/.000050 MIN NICKEL OVERALL
3. PRODUCT SPECIFICATION: PS-172160-0001
4. PACKAGING SPECIFICATION: PK-172160-0001
5. COSMETIC SPECIFICATION: PS-45499-0002 CLASS B
6. TERMINAL ACCEPTS WIRE AWG
18-20 AWG WIRE WITH 2.79/.110 MAX INSULATION DIA.
7. TERMINAL FOR USE WITH HOUSING 172159



MATERIAL NO	WIRE SIZE	MATERIAL	FINISH
172160-1802	18-20 AWG	PHOS BRONZE	SELECT GOLD
172160-1803	18-20 AWG	PHOS BRONZE	TIN
172160-1805	18-20 AWG	BRASS	SELECT GOLD
172160-1806	18-20 AWG	BRASS	TIN

ADD METRIC DIMS. EC NO: UCP2015-0951 DRW:MKIPPER 2014/09/03 CHKD:NGUYEN 2014/09/03 APPR:FSMITH 2014/09/10	DESCRIPTION D1	GENERAL TOLERANCES (UNLESS SPECIFIED)		DIMENSION STYLE MM/IN		SCALE 8:1	DESIGN UNITS INCH	THIRD ANGLE PROJECTION																					
		<table border="1"> <thead> <tr> <th></th> <th>mm</th> <th>INCH</th> </tr> </thead> <tbody> <tr> <td>4 PLACES</td> <td>± ---</td> <td>± ---</td> </tr> <tr> <td>3 PLACES</td> <td>± ---</td> <td>± .010</td> </tr> <tr> <td>2 PLACES</td> <td>± 0.25</td> <td>± .015</td> </tr> <tr> <td>1 PLACE</td> <td>± 0.38</td> <td>± ---</td> </tr> <tr> <td>0 PLACE</td> <td>± ---</td> <td>± ---</td> </tr> </tbody> </table>			mm	INCH	4 PLACES	± ---	± ---	3 PLACES	± ---	± .010	2 PLACES	± 0.25	± .015	1 PLACE	± 0.38	± ---	0 PLACE	± ---	± ---	DRAWN BY DATE KSAMIEC 2013/08/23		TITLE		EDGEMATE CRIMP TERMINALS 3.96/.156 CENTER FOR HOUSING 172159 molex			
			mm	INCH																									
		4 PLACES	± ---	± ---																									
		3 PLACES	± ---	± .010																									
2 PLACES	± 0.25	± .015																											
1 PLACE	± 0.38	± ---																											
0 PLACE	± ---	± ---																											
ANGULAR ±1/2° DRAFT WHERE APPLICABLE MUST REMAIN WITHIN DIMENSIONS		CHECKED BY DATE JCOMERC I 2013/11/14		MATERIAL NO. SEE CHART		DOCUMENT NO. SD-172160-0000		SHEET NO. 1 OF 1																					
THIS DRAWING CONTAINS INFORMATION THAT IS PROPRIETARY TO MOLEX INCORPORATED AND SHOULD NOT BE USED WITHOUT WRITTEN PERMISSION																													

9 8 7 6 5 4 3 2 1